

MT-353



X-Bracing Kit for 24 in wide bridge kit

OBSOLETE

This product was discontinued on: January 7, 2022

Product Classification

Product Type X-bracing kit

General Specifications

Application Waveguide bridge kit, 24 in

Mounting Pipe, 88.9 mm (3-1/2 in) OD

Dimensions

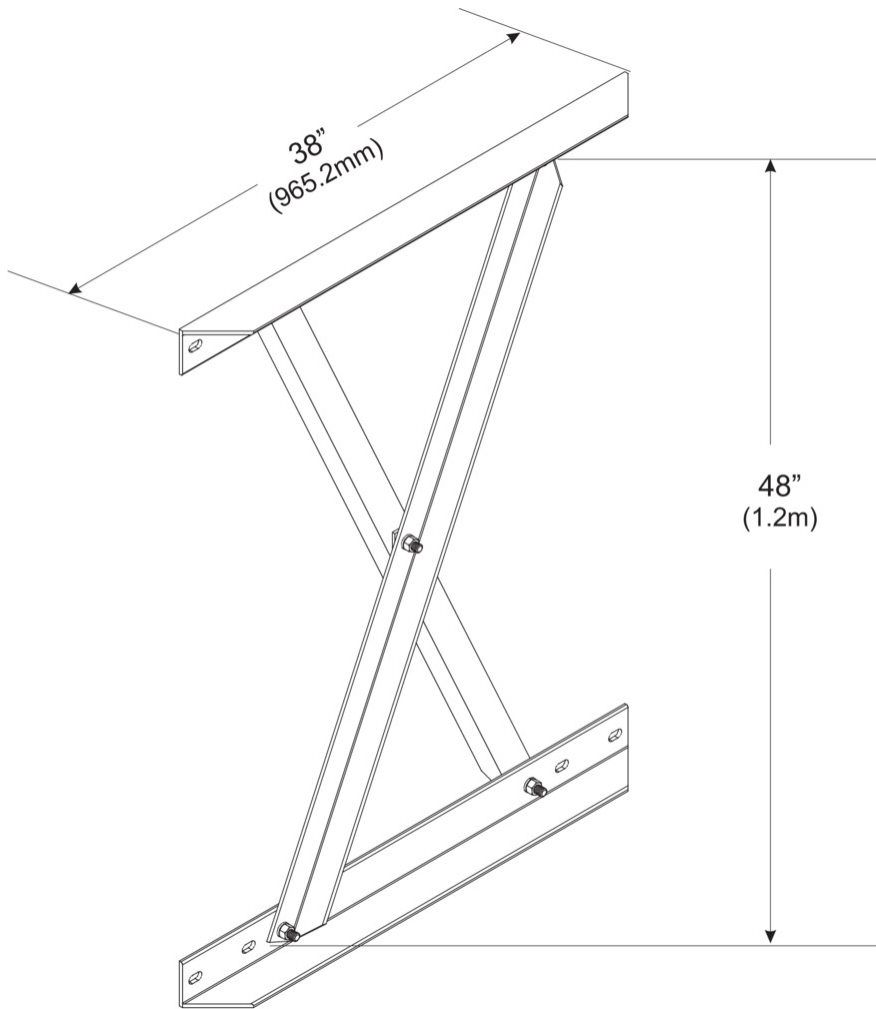
Height 101.6 mm | 4 in

Width 965.2 mm | 38 in

Length 1,219.2 mm | 48 in

MT-353

Outline Drawing



Material Specifications

Material Type Hot dip galvanized steel

Packaging and Weights

Included Braces | U-bolts

Packaging quantity 1

Weight, net 20 kg | 44.092 lb