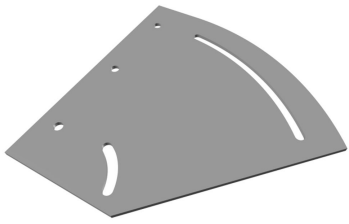


MT-F1574



Adjustable Splice for Bridge Kit for eight coaxial cable runs

Product Classification

Product Type Splice kit

General Specifications

Cable Runs, quantity 8

Mounting Rooftop bridge kits

Dimensions

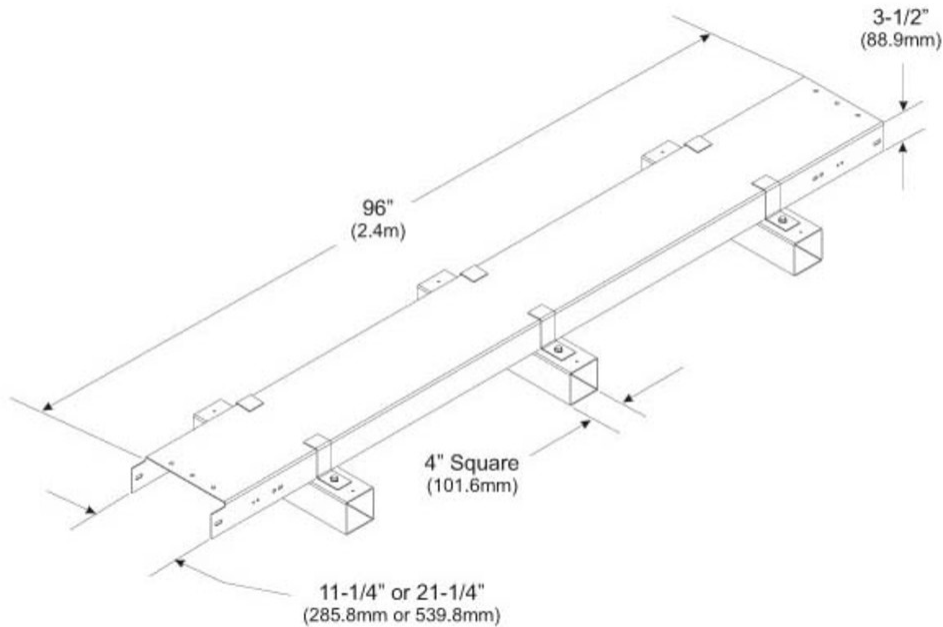
Height 25.4 mm | 1 in

Width 558.8 mm | 22 in

Length 558.8 mm | 22 in

MT-F1574

Outline Drawing



Material Specifications

Material Type Galvanized steel

Mechanical Specifications

Wind Rating For Specifications, please contact steelproducts@commscope.com or call 800-255-1479

Packaging and Weights

Included Hardware | Splices

Packaging quantity 1

Weight, net 4.3 kg | 9.48 lb

Regulatory Compliance/Certifications

Agency

ISO 9001:2015

Classification

Designed, manufactured and/or distributed under this quality management system



MT-F1574

* Footnotes

Wind Rating

BWS—Base Wind Speed; FBC—Florida Building Code