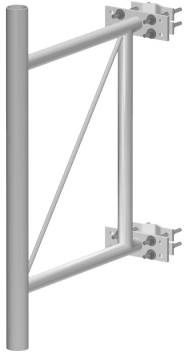


# PB-G3S-2



Pipe Frame Stand-Off Bracket, 36 in, for 2 in to 5 in OD legs

## OBSOLETE

This product was discontinued on: December 12, 2022

### Replaced By:

PB-G3T-2

Tapered Pipe Frame Stand-Off Bracket, 36 in, for 2 in to 5 in OD legs

## Product Classification

**Product Type** Stand-off mount

## General Specifications

**Mounting** Legs, 50.8–127 mm (2–5 in) OD

**Note** Four 72 in x 8 in panel antennas per sector

**Tower Taper** Non-tapered

## Dimensions

**Height** 1,447.8 mm | 57 in

**Width** 254 mm | 10 in

**Length** 838.2 mm | 33 in

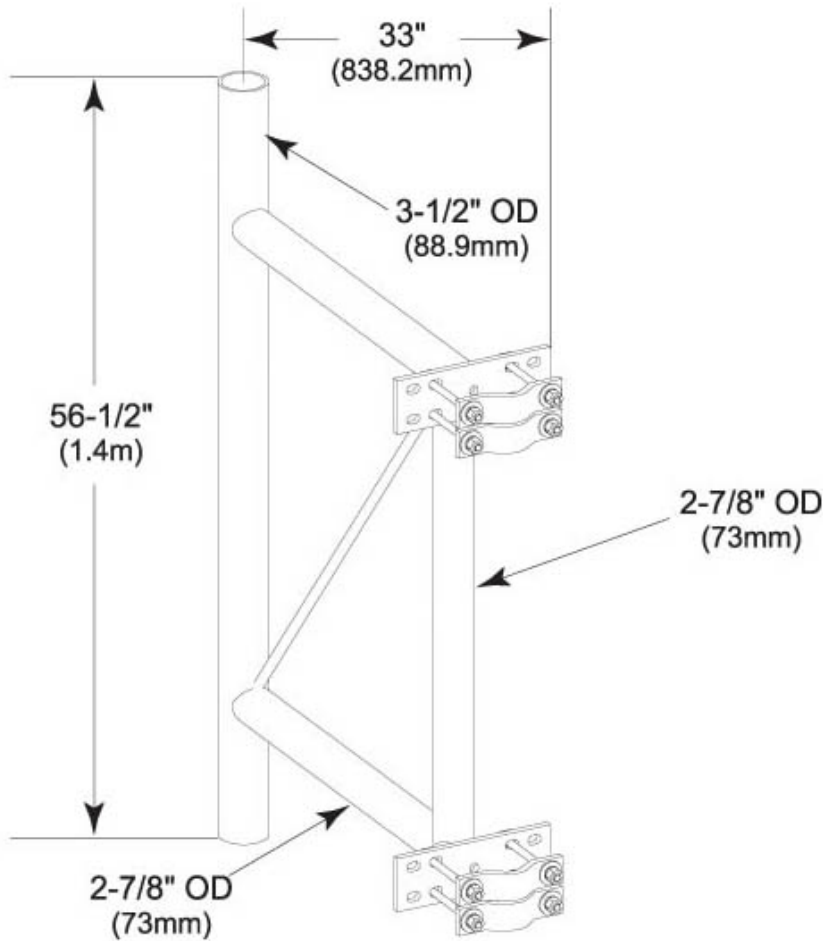
**Mounting Diameter, maximum** 127 mm | 5 in

**Mounting Diameter, minimum** 50.8 mm | 2 in

**Stand-off Distance** 914.4 mm | 36 in

# PB-G3S-2

## Outline Drawing



## Material Specifications

**Material Type** Hot dip galvanized steel

## Mechanical Specifications

**Wind Rating** 120 mph (BWS) at 150 ft AGL | 140 mph (3-second gust) at 150 ft AGL using Exposure D per FBC

**Wind Rating Test Method** TIA/EIA-222

## Packaging and Weights

**Included** Clamps | Stand-off

**Packaging quantity** 1

# PB-G3S-2

---

**Weight, net**

59.9 kg | 132.057 lb

## Regulatory Compliance/Certifications

**Agency**

ISO 9001:2015



**Classification**

Designed, manufactured and/or distributed under this quality management system

## \* Footnotes

**Wind Rating**

BWS—Base Wind Speed; FBC—Florida Building Code