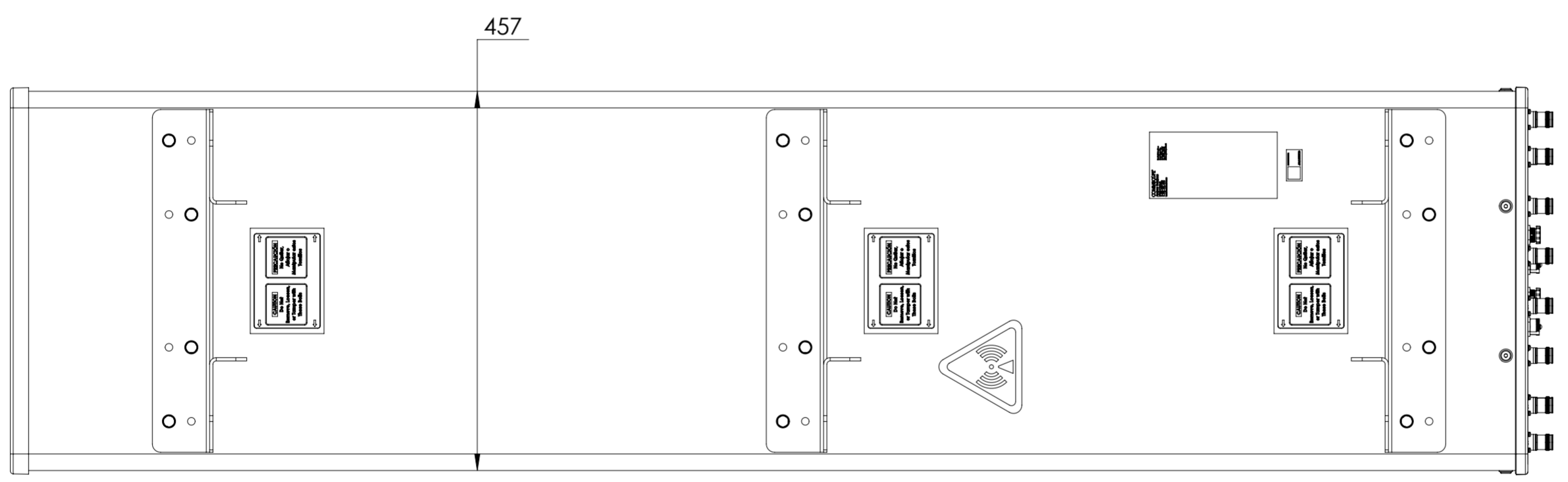
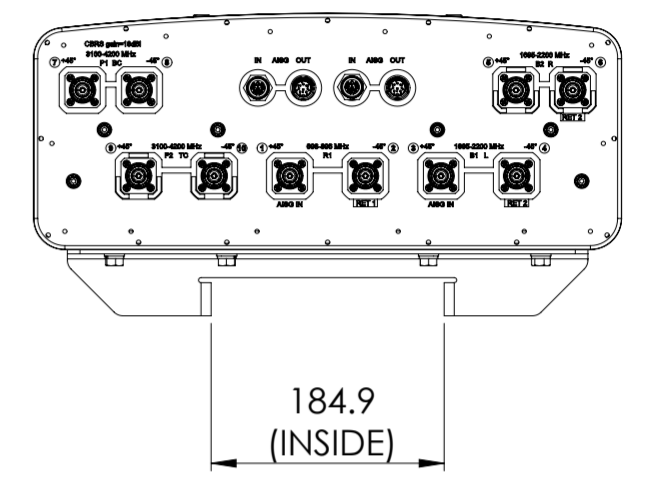
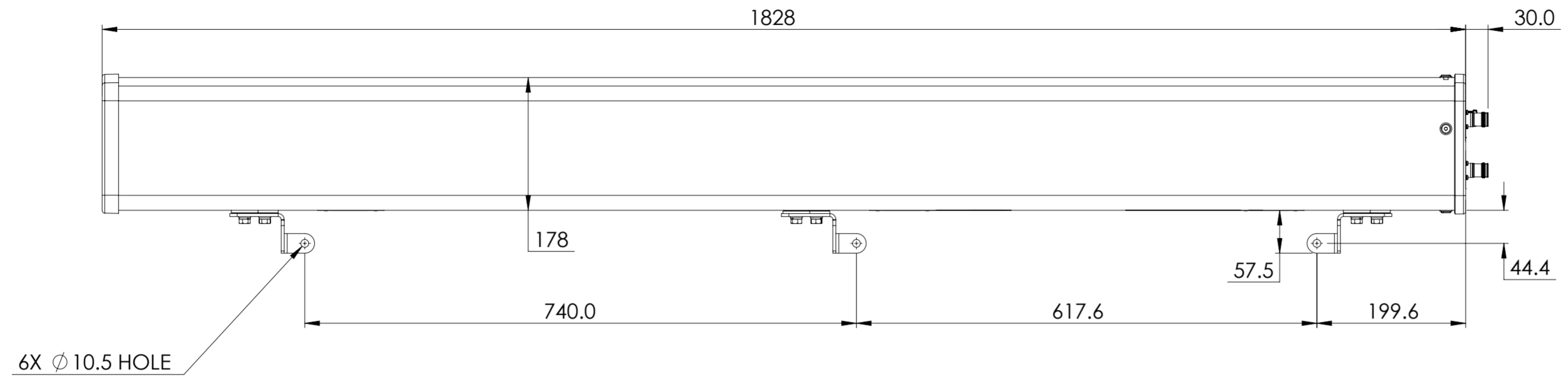


REVISIONS			
REV.	DESCRIPTION	DATE	APPROVED
A	ECR 8000041535: RELEASE TO PRODUCTION PER EAO 607854.	08SEP20 AT	AR/CP



NHHSS-45B-R2BT4

COMMSCOPE, INC. OF NORTH CAROLINA

TOLERANCES		SAP MATERIAL MASTER																									
0 PLACE X ±	2 PLACE .XX ±																										
1 PLACE .X ±	ANGLES ±																										
FINISH		MATERIAL																									
<small>UNLESS OTHERWISE SPECIFIED DIMENSIONS ARE IN MILLIMETERS INTERPRET PER ISO STANDARDS HANDBOOK TECHNICAL DRAWINGS VOLUMES 1 & 2, THIRD EDITION (2002)</small>		NAME	DATE																								
		CE AT1078	09/08/20																								
		RW AT1078	09/17/2020																								
		RV AR1134	09/17/2020																								
		AD CP1043	09/17/2020																								
RE AK1095	09/17/2020	SCALE 1:10 DOCUMENT NO. NHHSS-45B-R2BT4-L																									
ECN 8000041535-O																											
DENSITY	g/mm ³	<table border="1" style="width: 100%;"> <tr> <th>SIZE</th> <th>WORK AREA</th> <th>23</th> <th colspan="3">MODEL</th> <th colspan="3">DRAWING</th> <th rowspan="2">SHEET</th> </tr> <tr> <td rowspan="2">A2</td> <td rowspan="2"> </td> <td rowspan="2">00</td> <td>VERSION</td> <td>STATUS</td> <td>REVISION</td> <td>VERSION</td> <td>STATUS</td> <td>REVISION</td> </tr> <tr> <td>RE</td> <td>A</td> <td>00</td> <td>RE</td> <td>A</td> </tr> </table>		SIZE	WORK AREA	23	MODEL			DRAWING			SHEET	A2		00	VERSION	STATUS	REVISION	VERSION	STATUS	REVISION	RE	A	00	RE	A
SIZE	WORK AREA			23	MODEL			DRAWING			SHEET																
A2				00	VERSION	STATUS	REVISION	VERSION	STATUS	REVISION																	
					RE	A	00	RE	A																		
MASS	grams																										
VOLUME	mm ³																										
SURFACE AREA	mm ²																										
HEIGHT																											
LENGTH																											
WIDTH																											