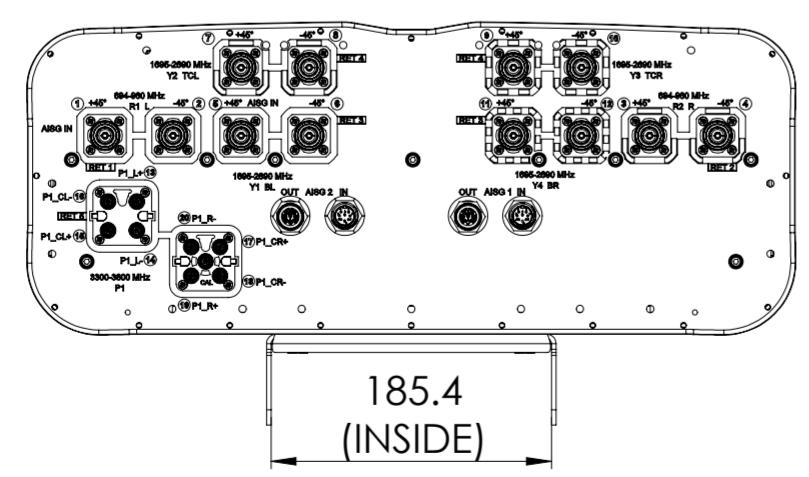
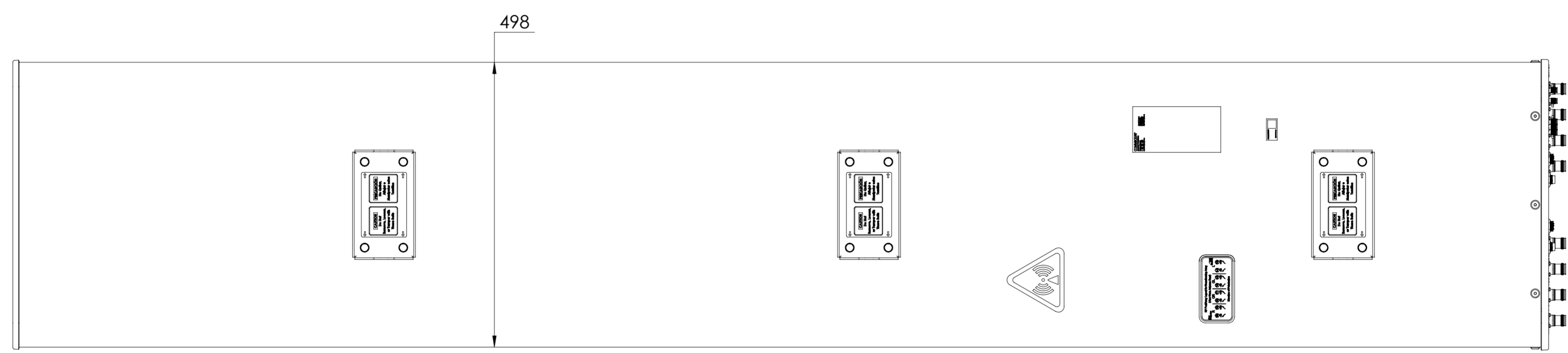
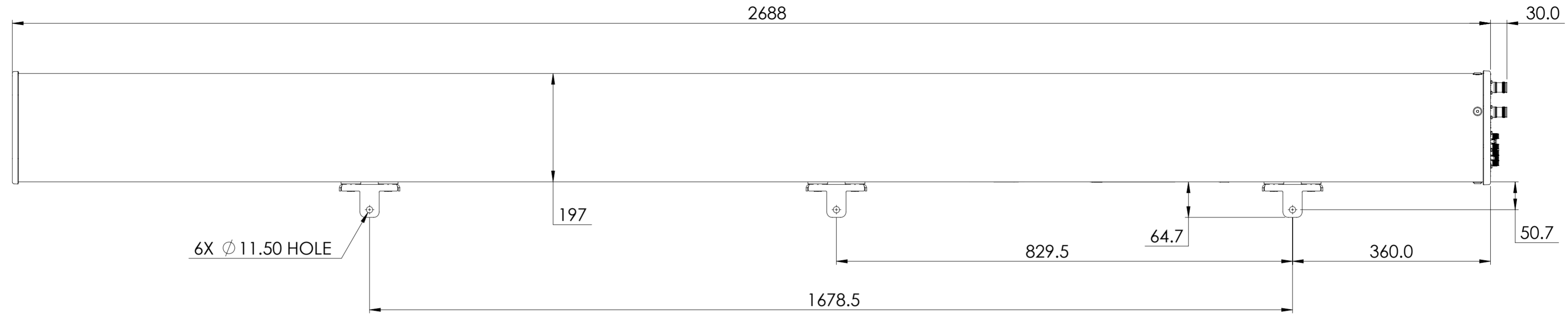


REVISIONS			
REV.	DESCRIPTION	DATE	APPROVED



VIEW A-A
SCALE 1 : 5

COMMSCOPE, INC. OF NORTH CAROLINA

TOLERANCES		SAP MATERIAL MASTER	
0 PLACE	X ±	2 PLACE	.XX ±
1 PLACE	.X ±	ANGLES	±
FINISH		MATERIAL	
UNLESS OTHERWISE SPECIFIED DIMENSIONS ARE IN MILLIMETERS INTERPRET PER ISO STANDARDS HANDBOOK 1 TECHNICAL DRAWINGS VOLUMES 1 & 2, THIRD EDITION (2002)	NAME	DATE	TITLE
	CE	MH1111	07JAN21
	RW		
	RV		
	AD		
RE			
ECN			
SCALE	DOCUMENT NO.		
1:6	RRV4S4-65D-R5-L		
SIZE	WORK AREA	MODEL	
A2		VERSION	STATUS
		REVISION	REVISION
		DRAWING	
		VERSION	STATUS
		REVISION	REVISION
		SHEET	
		1 OF 1	

DENSITY	g/mm ³
MASS	grams
VOLUME	mm ³
SURFACE AREA	mm ²
HEIGHT	
LENGTH	
WIDTH	