

# FID

---

## Base Product



Fiber Optic Drop Cable Assembly for indoor/outdoor applications

## Product Classification

<b>Regional Availability</b>	EMEA
<b>Product Type</b>	Fiber drop cable assembly
<b>Product Series</b>	FID

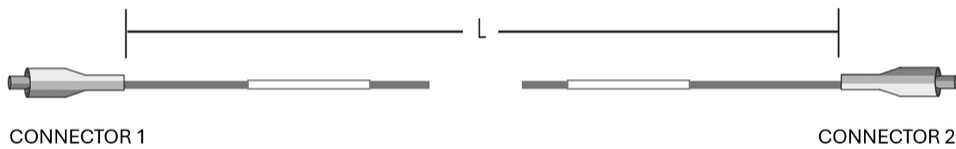
## General Specifications

<b>Cable Type</b>	Stapleable - Round
-------------------	--------------------

## Dimensions

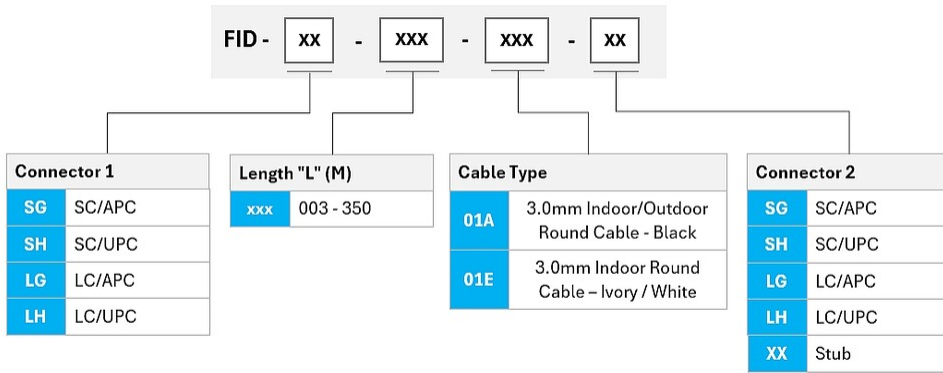
<b>Cable Outer Diameter</b>	3.0 mm (0.12 in)
-----------------------------	------------------

## Dimension Drawing



## Ordering Tree

# FID



## Material Specifications

**Jacket Material** Low Smoke Zero Halogen (LSZH)

## Optical Specifications

**Fiber Mode** Singlemode

**Fiber Type** G.657.A2, TeraSPEED®

## Environmental Specifications

**Installation temperature** -20 °C to -60 °C (-4 °F to -76 °F)

**Operating Temperature** -40 °C to +70 °C (-40 °F to +158 °F)

**Storage Temperature** -40 °C to +75 °C (-40 °F to +167 °F)

**EN50575 CPR Cable EuroClass Fire Performance** Dca

**Environmental Space** Indoor/Outdoor

**Qualification Standards** IEC 60794-1-2

## Packaging and Weights

**Packaging quantity** 1

## Regulatory Compliance/Certifications

Agency	Classification
CHINA-ROHS	Below maximum concentration value
REACH-SVHC	Compliant as per SVHC revision on <a href="https://www.commscope.com/ProductCompliance">www.commscope.com/ProductCompliance</a>
ROHS	Compliant
UK-ROHS	Compliant

