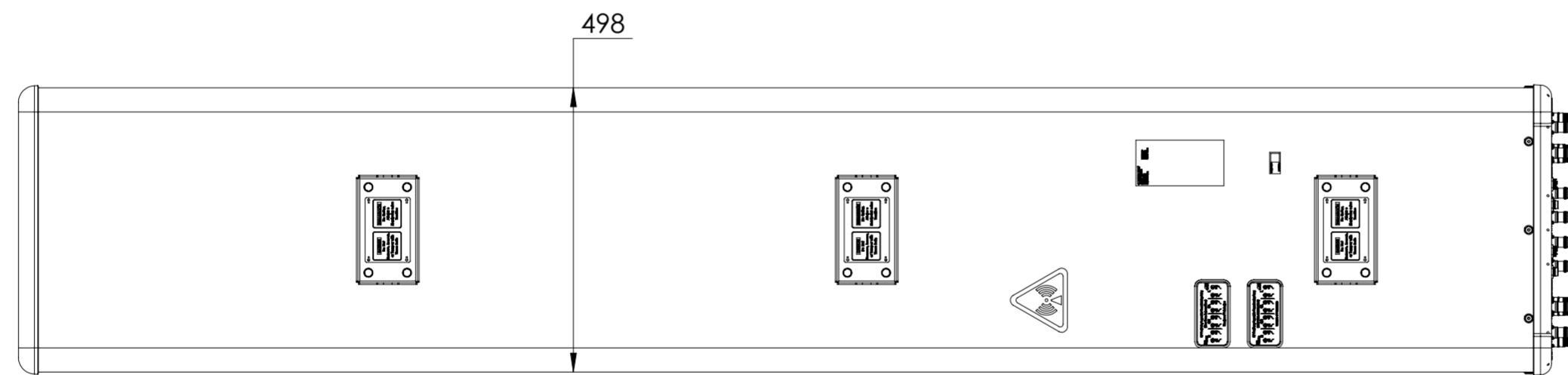
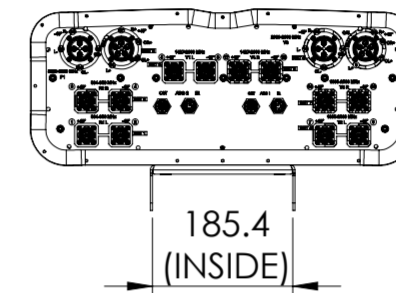
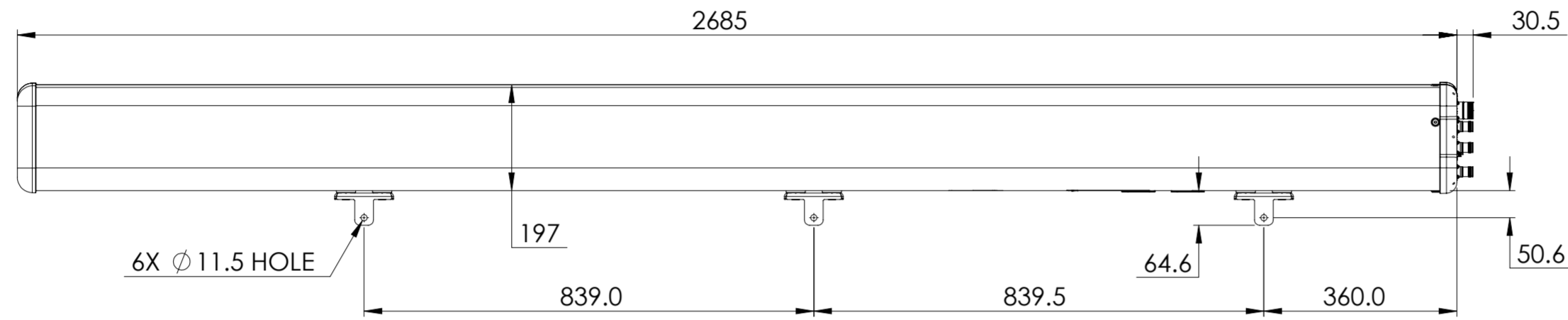


NOTES:

REVISIONS			
REV.	DESCRIPTION	DATE	APPROVED
A	ECR 8000044442: REL TO PRODUCTION PER EAO 609107.	23FEB21 JOY	WRQ/XJ



RRZZVVT4S4-65DR8V2

COMMSCOPE, INC. OF NORTH CAROLINA											
TOLERANCES						SAP MATERIAL MASTER					
0 PLACE X ±			2 PLACE .XX ±			1 PLACE .X ±			ANGLES ±		
FINISH						MATERIAL					
UNLESS OTHERWISE SPECIFIED DIMENSIONS ARE IN MILLIMETERS INTERPRET PER ISO STANDARDS HANDBOOK TECHNICAL DRAWINGS VOLUMES 1 & 2, THIRD EDITION (2002)	CE	NAME	DATE	PRODUCT DRAWING							
	RW										
	AD										
	RE										
	ECN 8000044442-O										
SCALE		DOCUMENT NO.									
1:10		RRZZVVT4S4-65DR8V2-L									
SIZE	Auth Group	BSA	MODEL			DRAWING			SHEET		
A2	⊕	◁	VERSION	STATUS	REVISION	VERSION	STATUS	REVISION	1 OF 1		
						00	IW				

DENSITY	g/mm ³
MASS	grams
VOLUME	mm ³
SURFACE AREA	mm ²
HEIGHT	
LENGTH	
WIDTH	

© 2021 CommScope, Inc.