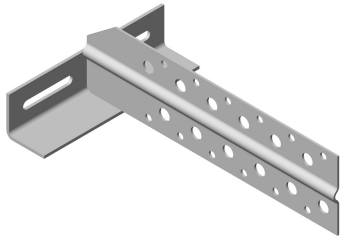


# TL-S012

---



Waveguide Stand-Off Bracket for 12 coaxial cable runs

## Product Classification

**Product Type** Waveguide stand-off bracket

## General Specifications

**Cable Runs, quantity** 12

**Mounting** Leg gussets | Tower legs up to 114.3 mm (4-1/2 in) OD | Wall applications

## Dimensions

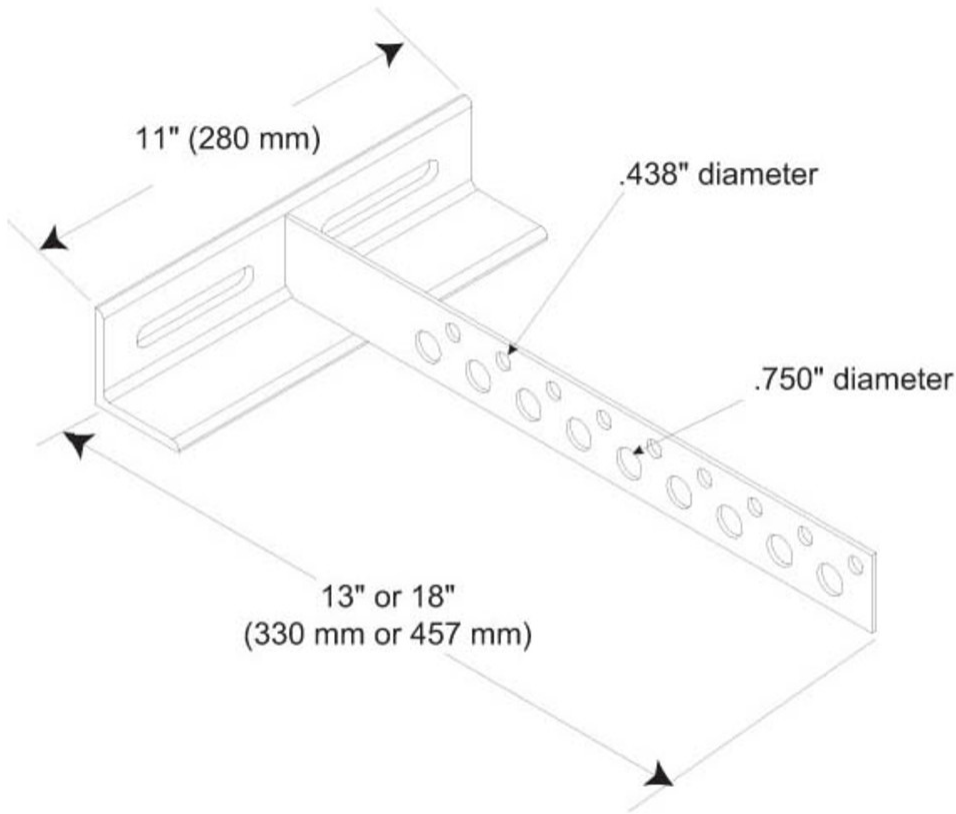
**Height** 101.6 mm | 4 in

**Width** 330.2 mm | 13 in

**Length** 279.4 mm | 11 in

# TL-S012

## Outline Drawing



## Material Specifications

**Material Type** Hot dip galvanized steel

## Packaging and Weights

**Included** Brackets  
**Packaging quantity** 1  
**Weight, net** 2.1 kg | 4.63 lb

## Regulatory Compliance/Certifications

Agency	Classification
CHINA-ROHS	Below maximum concentration value
ISO 9001:2015	Designed, manufactured and/or distributed under this quality management system

# TL-S012

---

REACH-SVHC

Compliant as per SVHC revision on [www.commscope.com/ProductCompliance](http://www.commscope.com/ProductCompliance)

ROHS

Compliant

