

NOTES:

1.0 GENERAL NOTES

1.1 ALL METRIC DIMENSIONS ARE IN BRACKETS.

2.0 DESIGN NOTES

2.1 REMOVE ANTENNA MOUNTING BRACKETS BEFORE INSTALLING, USE EXISTING ANTENNA HARDWARE TO MOUNT ANTENNAS.

2.2 USE MTC978706 WHEN INSTALLING GAMMA NU ANTENNA.

3.0 MANUFACTURING/SPECIAL REQUIREMENTS

3.1 FINISH -XX SUFFIX ON PRODUCT PART NUMBER REPRESENTS SPECIFIC COLOR AND/OR FINISH. REFER TO METROCELL PRODUCT COLOR/FINISH SPECIFICATION MTM1004 FOR SPECIFIC REQUIREMENTS.

4.0 TEST

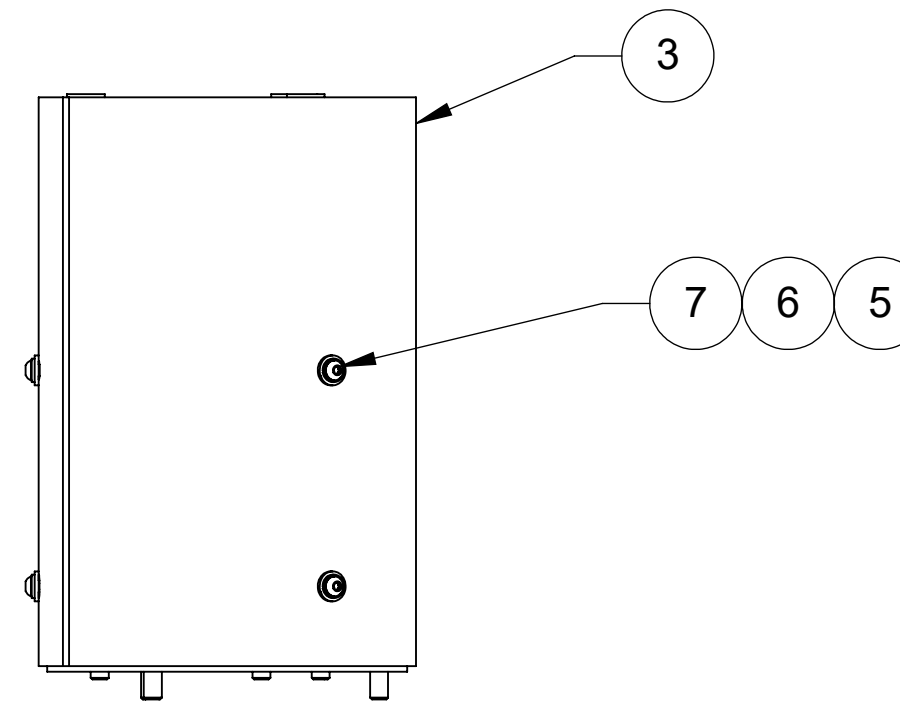
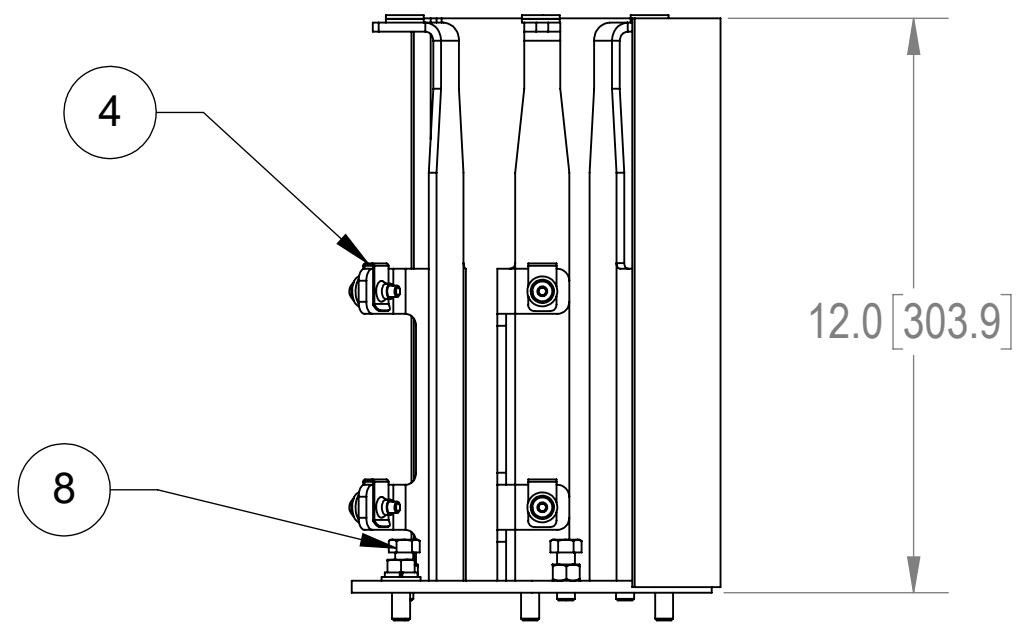
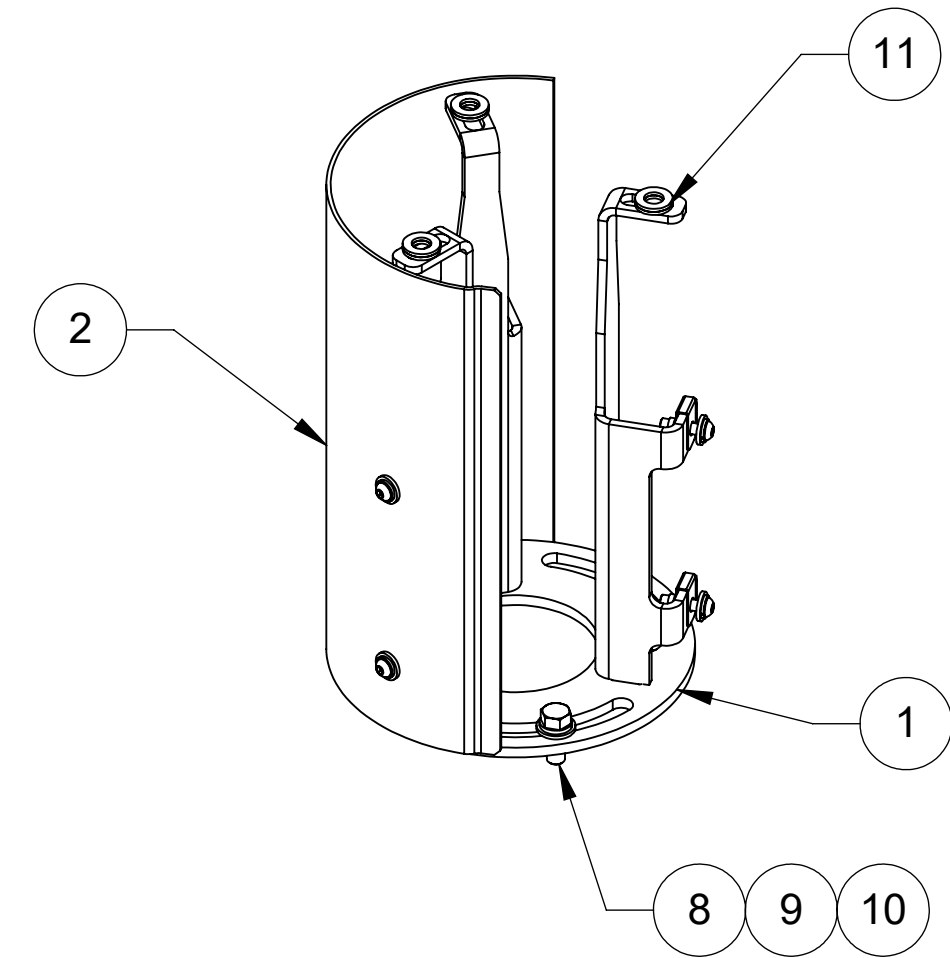
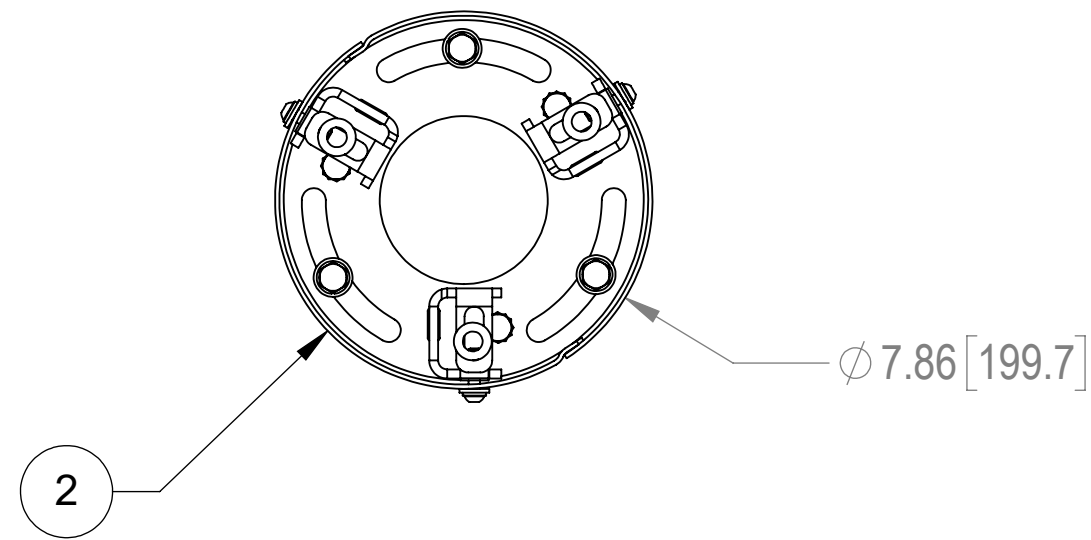
5.0 PACKAGING

5.1 PLACE ALL LOOSE HARDWARE IN POLYBAG.

5.2 INSERT DRAWING INTO BOX.



REVISIONS				
REV.	ECN	DESCRIPTION	BY	DATE
A	8000026917	INITIAL RELEASE	UAG	11/03/17
B	8000028382	BOM, PAINT NOTE UPDATES	UAG	2/7/2018
C	8000032646	UPDATE MTC3985PT41, TEMP, NOTES, ADD M10 FW	MSM	11/26/2018



ITEM	PART NO.	DESCRIPTION	QTY.	WEIGHT	NOTE NO.
1	MTC3985PT41	WELDMENT, ANTENNA MOUNT	1	5.93 LBS	
2	MTC3985PT48-XX	TRANSITION COVER, SIDE A SERIES	1	1.31 LBS	
3	MTC3985PT49-XX	TRANSITION COVER, SIDE B SERIES	1	1.31 LBS	
4	460143456	CLIP NUT, M6, 316 SST	6	0.01 LBS	
5	SWF-02	FLAT WASHER, 1/4" SS	6	0.01 LBS	
6	SWL-M6	M6 SS Lock Washer	6	0.00 LBS	
7	100560-67	SCR,BUTTN HD,HEXSOCK,M6X25,SST,PASS	6		
8	SB-0310	3/8" X 1" SS BOLT	6	0.05 LBS	5
9	SWL-03	3/8" SS LOCK WASHER	3	0.01 LBS	5
10	SWF-03	3/8" SS FLAT WASHER	3	0.01 LBS	5
11	MTC978706	M10 Stainless Steel Flat Washer	6		2,5
12	DOCUMENT RECORD	INSERT DRAWING MTC3985PT40 SERIES	1	-	5
13	BX141414	14" X 14" X 14" BOX KRAFT	1	-	



COMMSCOPE, INC. OF NORTH CAROLINA

TOLERANCES		SAP MATERIAL MASTER	
1 PLACE .X ± .25	3 PLACE .XXX ± 0.06	MTC3985PT40-XX	
2 PLACE .XX ± 0.12	ANGLES ± 2°		
FINISH SEE NOTES		MATERIAL N/A	
UNLESS OTHERWISE SPECIFIED DIMENSIONS ARE IN INCHES INTERPRET PER ANSI Y 14.5M-1994	CE	MSM	11/26/2018
	RW	RD1048	11/29/2018
	RV		
	AD	RD1048	11/29/2018
	RE	RD1048	11/29/2018
NAME		TITLE	
ECN 8000032646		ANTENNA MOUNT, 8IN	
SCALE		DOCUMENT NO.	
1:4		MTC3985PT40 SERIES	
SIZE		MODEL	
WORK AREA INSL		DRAWING	
VERSION		STATUS	
03		RE	
REVISION		VERSION	
F		01	
STATUS		REVISION	
RE		C	
SHEET		1 OF 2	

DENSITY	0.06	lbs/in ³
MASS	9.20	lbs
VOLUME	144.07	in ³
SURFACE AREA		in ²
HEIGHT	12	
LENGTH	7.88	
WIDTH	7.88	

4

3

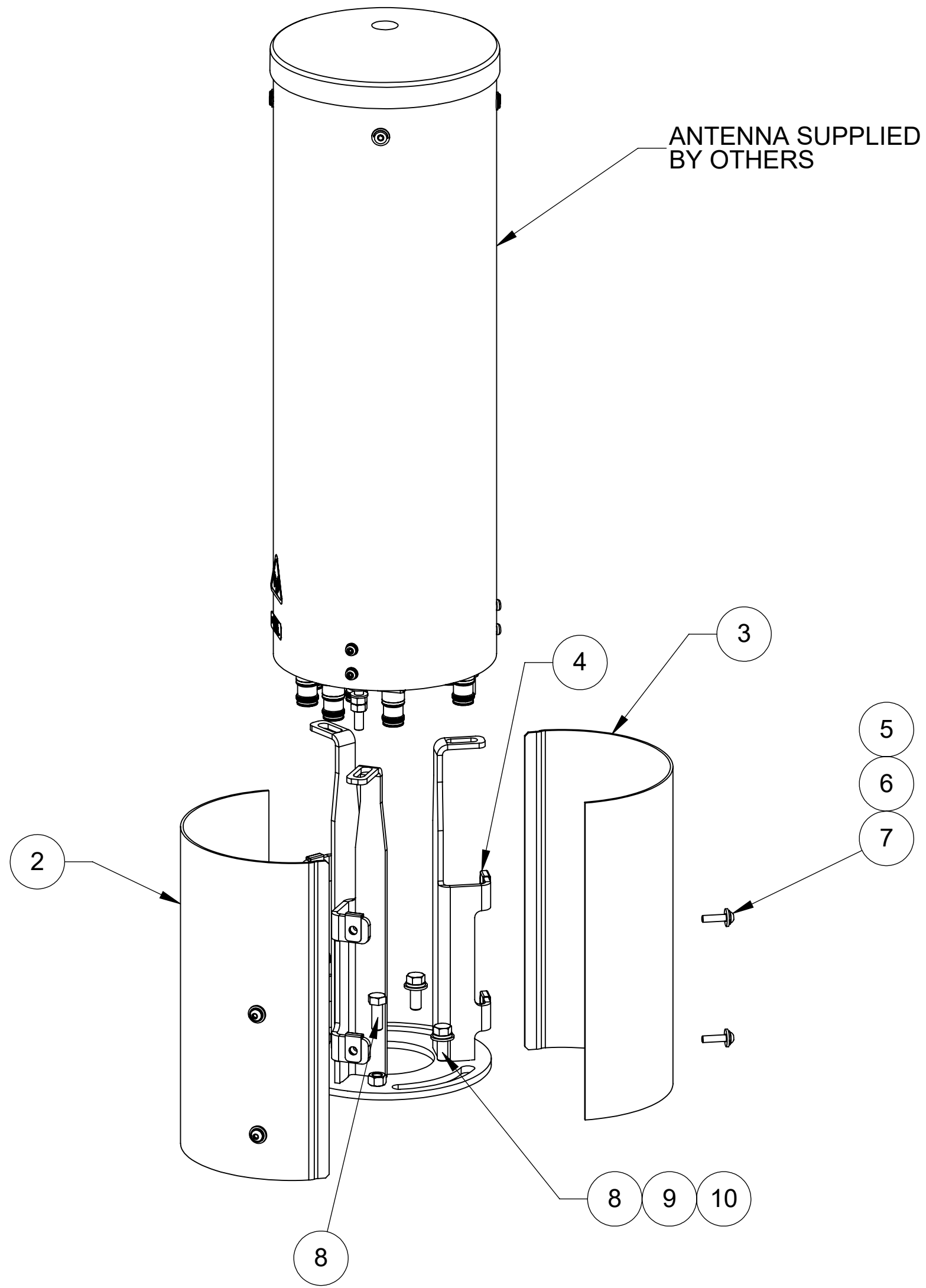
2

1

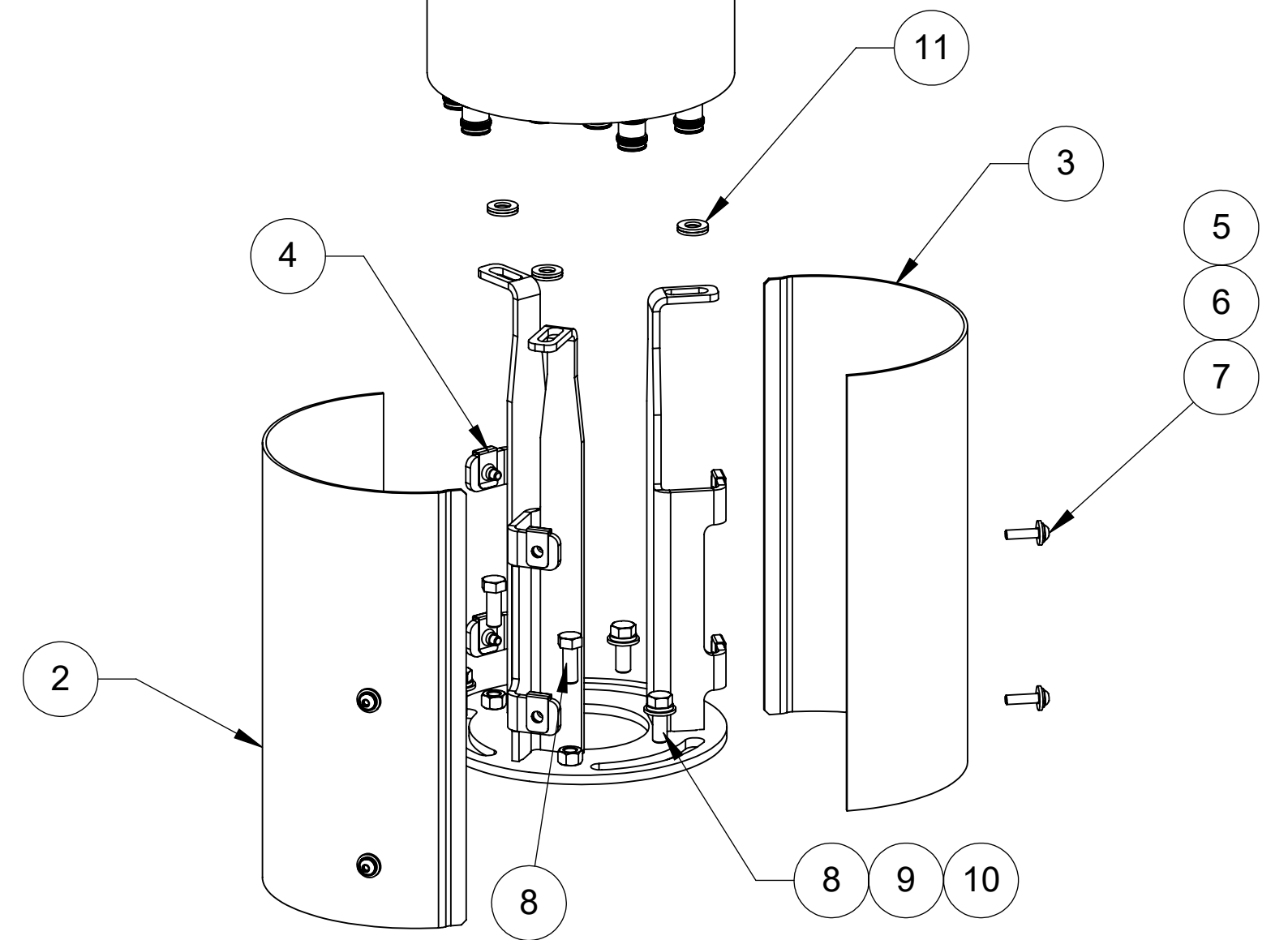
NOTES:

WITH VVSSP-360

WITH GAMMA NU



ANTENNA SUPPLIED BY OTHERS



COMMSCOPE, INC. OF NORTH CAROLINA

TITLE
ANTENNA MOUNT, 8IN

SIZE C	SCALE 1:4	DOCUMENT NO. MTC3985PT40 SERIES
------------------	---------------------	---

DRAWING			SHEET 2 OF 2
VERSION 01	STATUS RE	REVISION C	

© 2018 CommScope, Inc.

4

3

2

1

D

D

C

C

B

B

A

A