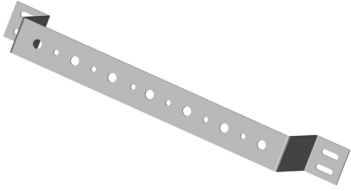


VC-WGSO-7



Water Tower Waveguide Stand-Off Bracket for coaxial cable, seven runs

Product Classification

Product Type Bracket kit

General Specifications

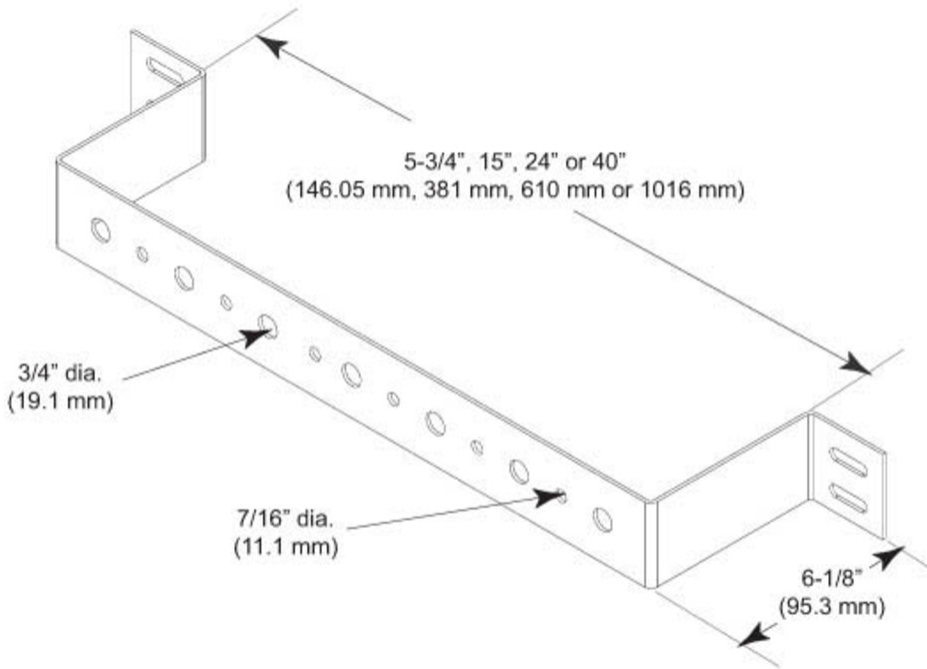
Cable Runs, quantity 7
Hole, quantity 7
Mounting Water tower surface

Dimensions

Height 76.2 mm | 3 in
Width 609.6 mm | 24 in
Length 165.1 mm | 6.5 in
Hole Size 3/4 in | 7/16 in
Stand-off Distance 152.4 mm | 6 in

VC-WGSO-7

Outline Drawing



Material Specifications

Material Type Hot dip galvanized steel

Packaging and Weights

Included Brackets
Packaging quantity 1
Weight, net 1.9 kg | 4.189 lb

Regulatory Compliance/Certifications

Agency	Classification
CHINA-ROHS	Below maximum concentration value
ISO 9001:2015	Designed, manufactured and/or distributed under this quality management system
REACH-SVHC	Compliant as per SVHC revision on www.andrew.com/ProductCompliance
ROHS	Compliant
UK-ROHS	Compliant

