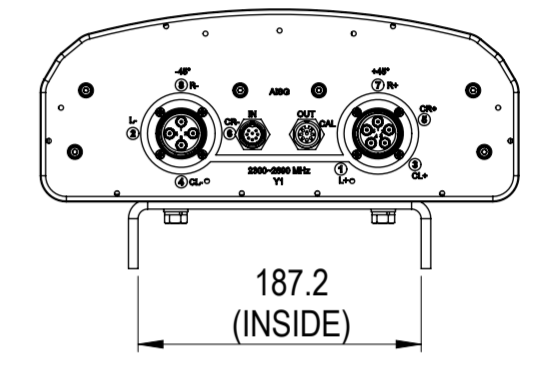
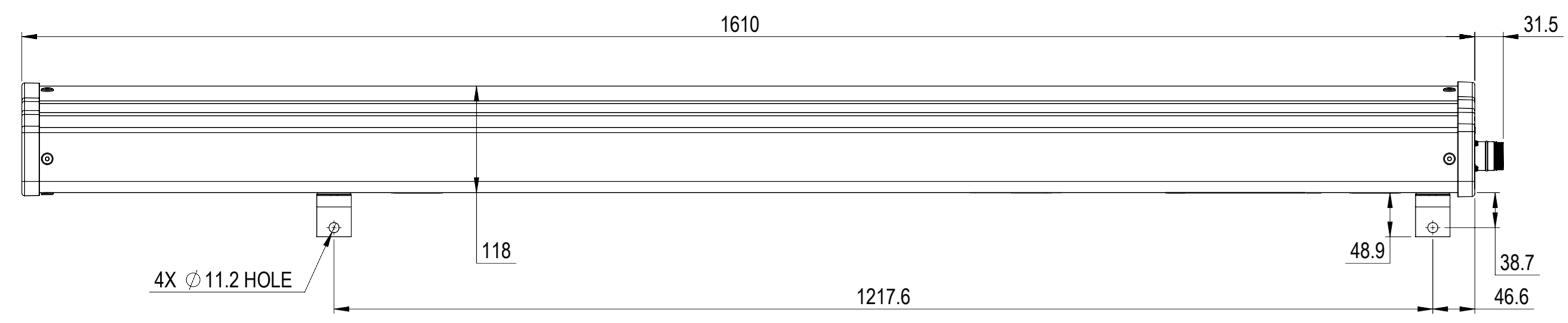


REVISIONS			
REV.	DESCRIPTION	DATE	APPROVED
A	ECR 8000044349: RELEASE TO PRODUCTION PER EAO 609085.	04FEB21 SL	YJB/YWQ



T4-90A-R1-V5

COMMSCOPE, INC. OF NORTH CAROLINA											
TOLERANCES						SAP MATERIAL MASTER					
0 PLACE X ±			2 PLACE .XX ±			1 PLACE .X ±			ANGLES ±		
FINISH						MATERIAL					
<small>UNLESS OTHERWISE SPECIFIED DIMENSIONS ARE IN MILLIMETERS INTERPRET PER ISO STANDARDS HANDBOOK TECHNICAL DRAWINGS VOLUMES 1 & 2, THIRD EDITION (2002)</small>	NAME	DATE	TITLE								
	CE LS1124	02/04/2021	PRODUCT DRAWING								
	RW LS1124	03/15/2021									
	RV										
	AD JY1049	03/15/2021	SCALE			DOCUMENT NO.					
	RE ZHHCHEN	03/16/2021	1:5			T4-90A-R1-V5-L					
ECN 8000044349-O											
SIZE		WORK AREA	BSA	MODEL		DRAWING			SHEET		
A2				VERSION	STATUS	REVISION	VERSION	STATUS	REVISION	1 OF 1	
				00	RE	A	00	RE	A		

DENSITY	g/mm ³
MASS	grams
VOLUME	mm ³
SURFACE AREA	mm ²
HEIGHT	
LENGTH	
WIDTH	