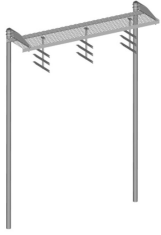


WB-K210-B21



Safety Grated Waveguide Bridge Kit, 24 in x 10 ft, with two 21 ft direct burial posts

Product Classification

Product Type Waveguide bridge kit

General Specifications

Application Direct burial

Cable Runs, quantity 24

Pipe, quantity 2

Dimensions

Height 6,400.8 mm | 252 in

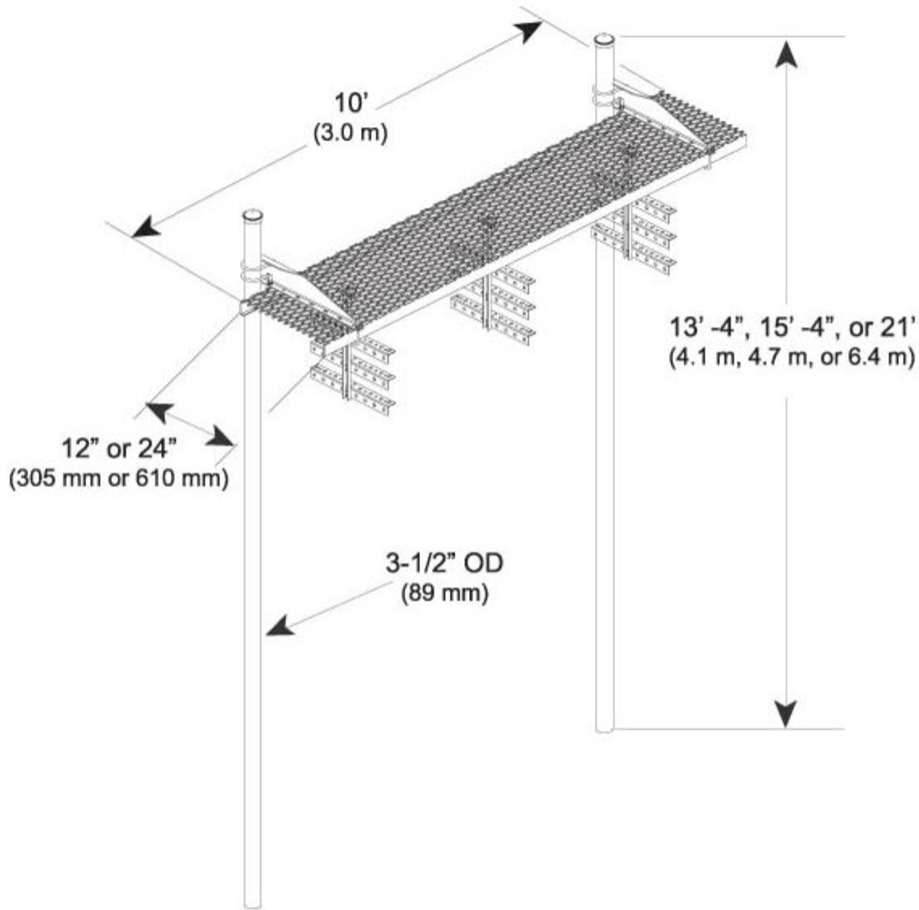
Width 609.6 mm | 24 in

Length 3048 mm | 120 in

Pipe Length 6,400.8 mm | 252 in

WB-K210-B21

Outline Drawing



Material Specifications

Material Type Hot dip galvanized steel

Packaging and Weights

Included Caps | Channel | Hardware | Posts | Support brackets | Trapeze

Packaging quantity 1

Weight, net 174.6 kg | 384.927 lb

Regulatory Compliance/Certifications

Agency **Classification**

WB-K210-B21

CHINA-ROHS	Above maximum concentration value
ISO 9001:2015	Designed, manufactured and/or distributed under this quality management system
ROHS	Compliant/Exempted
UK-ROHS	Compliant/Exempted



Included Products

- | | |
|-----------|---|
| MT-547 | - Plain End Pipe, 3-1/2 in OD x 21 ft x .165" A500C 46Ksi |
| WB-CY210 | - Safety Grated Waveguide Bridge Channel, 24 in x 10 ft |
| WB-LB24-3 | - Waveguide Bridge Support Bracket, 24 in wide for 3-1/2 in OD legs |
| WB-T24-3 | - Trapeze Kit, triple tee, 24 in wide, three rungs |