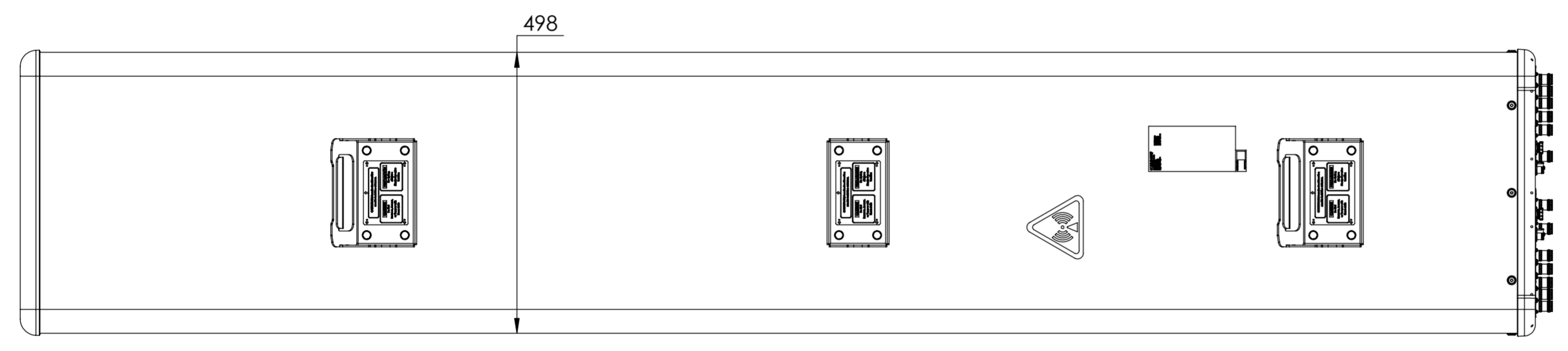
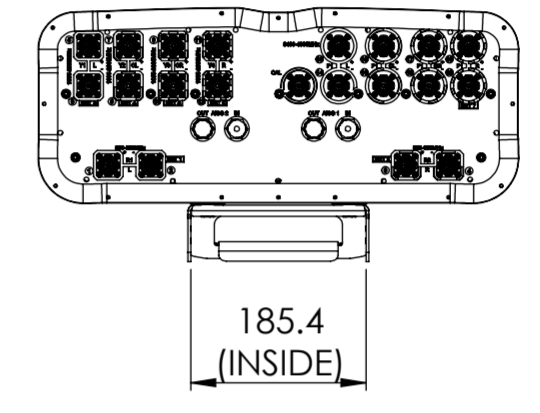
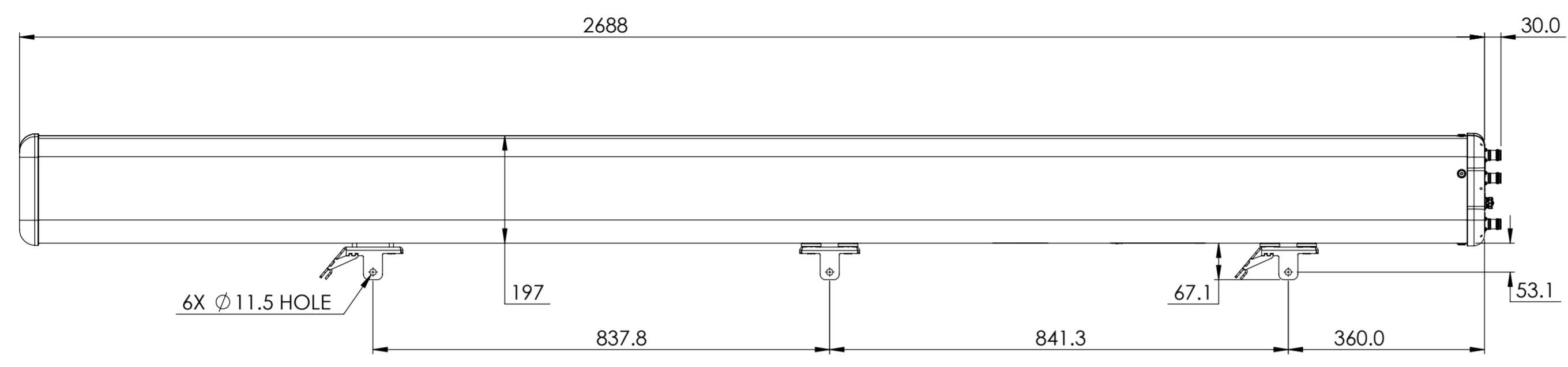


REVISIONS			
REV.	DESCRIPTION	DATE	APPROVED
A	ECR 8000044297: REL TO PRODUCTION PER EAO 609062.	18JAN21 CN	ZYL/XL



NNH4S4-65D-R7

COMMSCOPE, INC. OF NORTH CAROLINA

TOLERANCES		SAP MATERIAL MASTER	
0 PLACE X ±	2 PLACE .XX ±		
1 PLACE .X ±	ANGLES ±		
FINISH		MATERIAL	
<small>UNLESS OTHERWISE SPECIFIED DIMENSIONS ARE IN MILLIMETERS INTERPRET PER ISO STANDARDS HANDBOOK TECHNICAL DRAWINGS VOLUMES 1 & 2, THIRD EDITION (2002)</small>		NAME	DATE
		CE NC1020	01/18/2021
		RW	
		RV	
AD		PRODUCT DRAWING	
RE			
ECN 8000044297-O		SCALE	DOCUMENT NO.
		1:8	NNH4S4-65D-R7-L
DENSITY	g/mm ³	SIZE	WORK AREA 23
MASS	grams	MODEL	
VOLUME	mm ³	VERSION	STATUS
SURFACE AREA	mm ²	00	IW
		REVISION	REVISION
			00
		DRAWING	REVISION
			IW
			A
		SHEET	1 OF 1