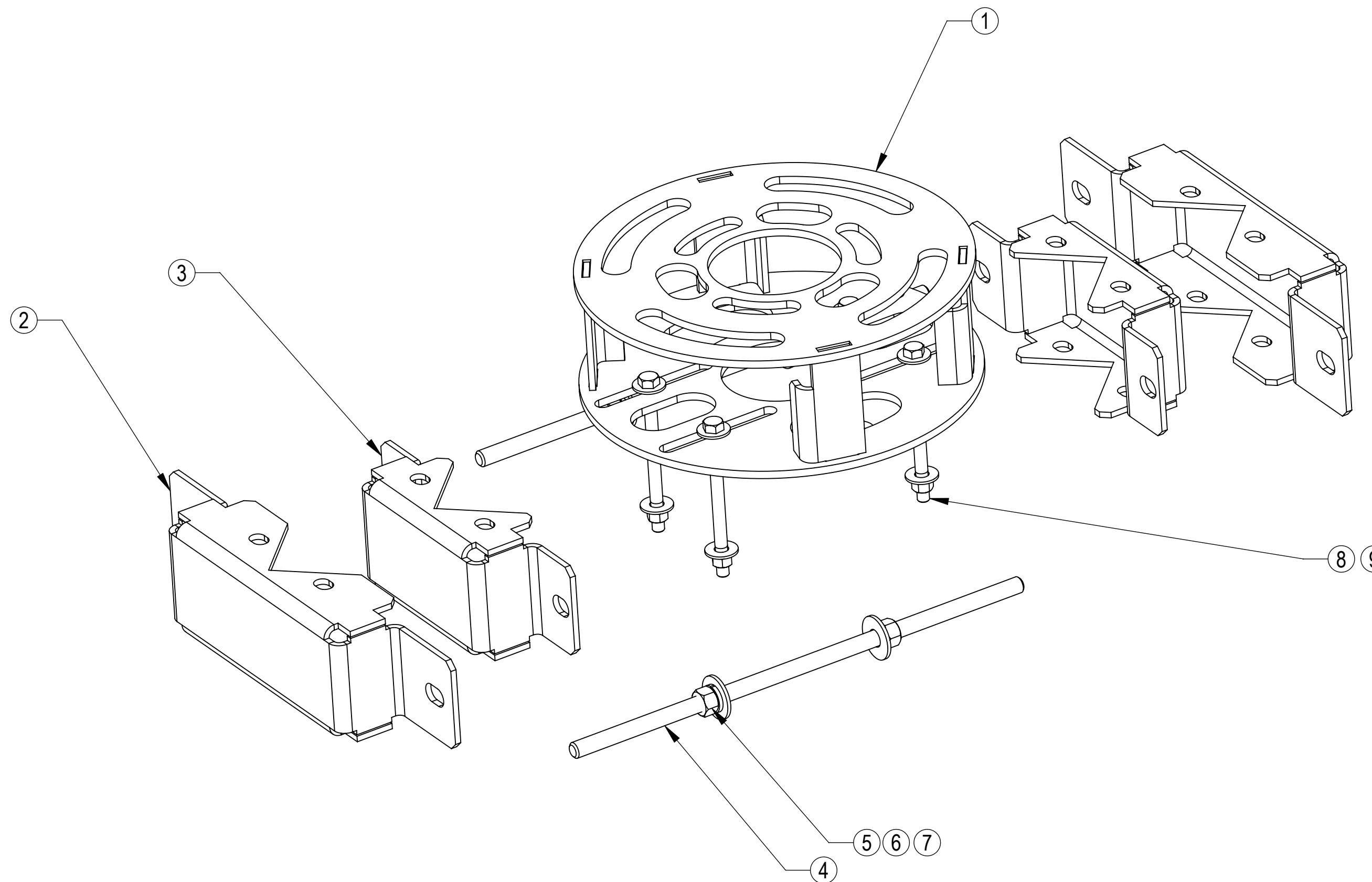


1. GENERAL NOTES
2. DESIGN NOTES
3. MANUFACTURING/SPECIAL REQUIREMENTS
 - 3.1 SHEET 2-4 IS CUSTOMER ASSEMBLY INSTRUCTIONS
4. TEST
5. PACKAGING
 - 5.1 WRAP THE UNIT IN PROTECTIVE FOAM WRAP BEFORE PACKAGING
 - 5.2 PACKAGE IN POLYBAG AND PLACE INSIDE THE UNIT FOR SHIPPING
 - 5.3 PRINTED DOCUMENT TO BE INCLUDED IN THE PACKAGE

REVISIONS				
REV.	ECN	DESCRIPTION	BY	DATE
A	8000037454	INITIAL RELEASE	JP1130	11/11/2019



ITEM NO.	PART NUMBER	DESCRIPTION	QTY.	NOTE
1	MTM1094-1100	SQ POLE ADAPTER WELDMENT	1	
2	MTM1094-1201	SQ POLE ADPT BKT LARGE	2	
3	MTM1094-1202	SQ POLE ADPT BKT SMALL	2	
4	MT37916	1/2" X 16" GALV THREADED ROD	2	
5	GN-04	1/2" GALV HEX NUT	4	5.2
6	GWL-04	1/2" GALV LOCK WASHER	4	5.2
7	GWF-04	1/2" GALV FLAT WASHER	4	5.2
8	GB-03505	3/8" X 5" GALV BOLT KIT	4	5.2
9	GWF-03	3/8" GALV FLAT WASHER	8	5.2
10	860636779-SQ1	REFERENCE DOCUMENT	1	5.3

COMMSCOPE, INC. OF NORTH CAROLINA													
TOLERANCES					SAP MATERIAL MASTER								
1 PLACE .X ± N/A			3 PLACE .XXX ± N/A			860636779-SQ1							
2 PLACE .XX ± N/A			ANGLES ± N/A										
FINISH N/A					MATERIAL SEE BOM								
UNLESS OTHERWISE SPECIFIED DIMENSIONS ARE IN INCHES INTERPRET PER ANSI Y 14.5M-1994	CE	NAME	DATE	PT MOUNTING KIT SQ POLES SCALE: 1:3 DOCUMENT NO. 860636779-SQ1									
	RW	JP1130	11/14/2019										
	RV												
	AD	CB1074	11/14/2019										
	RE	JP1130	11/14/2019										
ECN 008000037454		SIZE		WORK AREA 24		MODEL			DRAWING				
		C				VERSION			STATUS		REVISION		SHEET
				01			RE			A		1 OF 4	

DENSITY		lbs/in ³
MASS	32.20	lbs
VOLUME	114.25	in ³
SURFACE AREA	1278.76	in ²
HEIGHT		
LENGTH		
WIDTH		

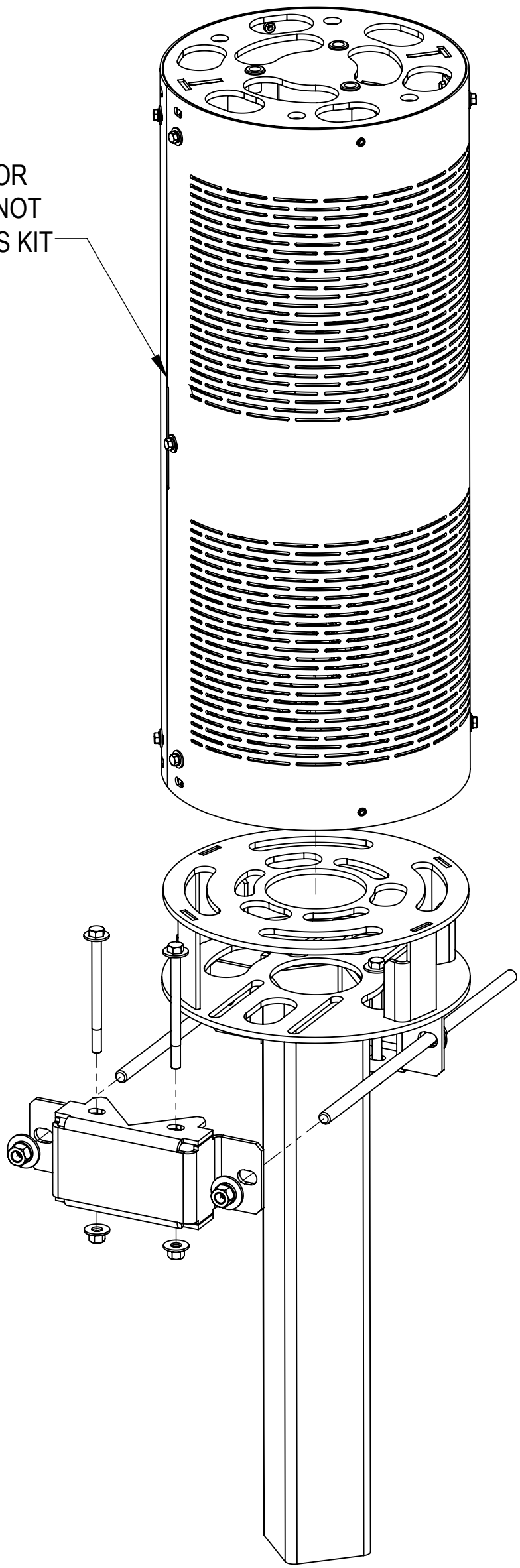
4

3

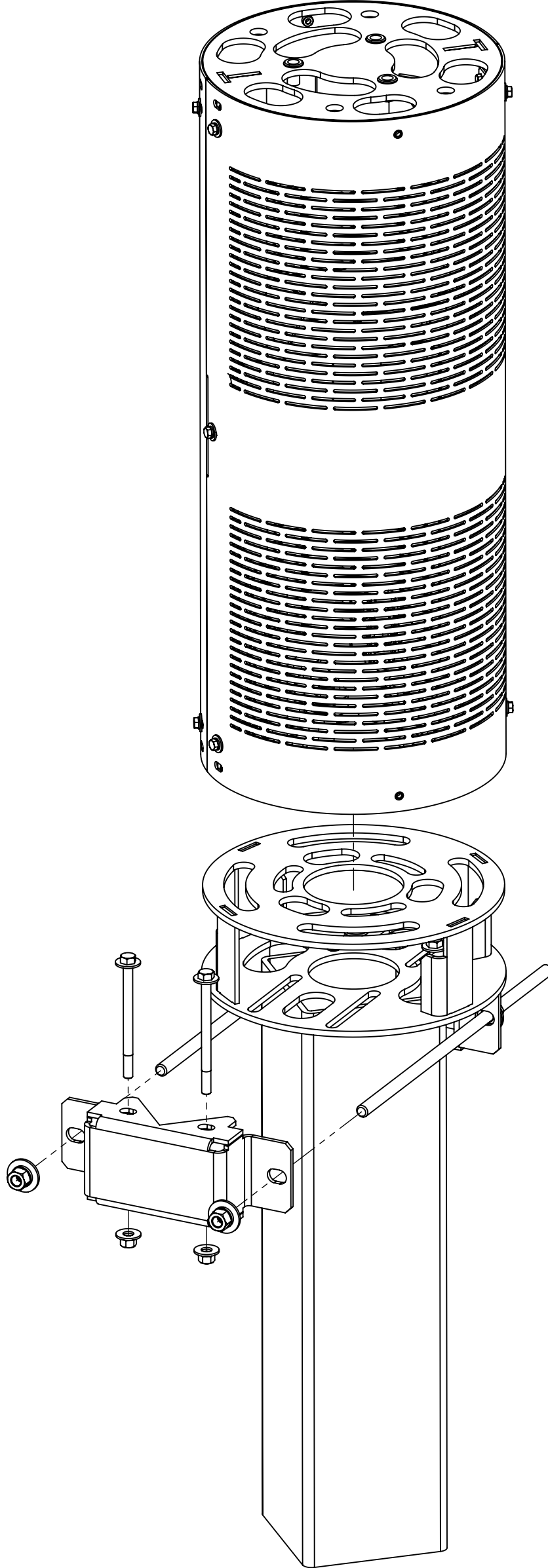
2

1

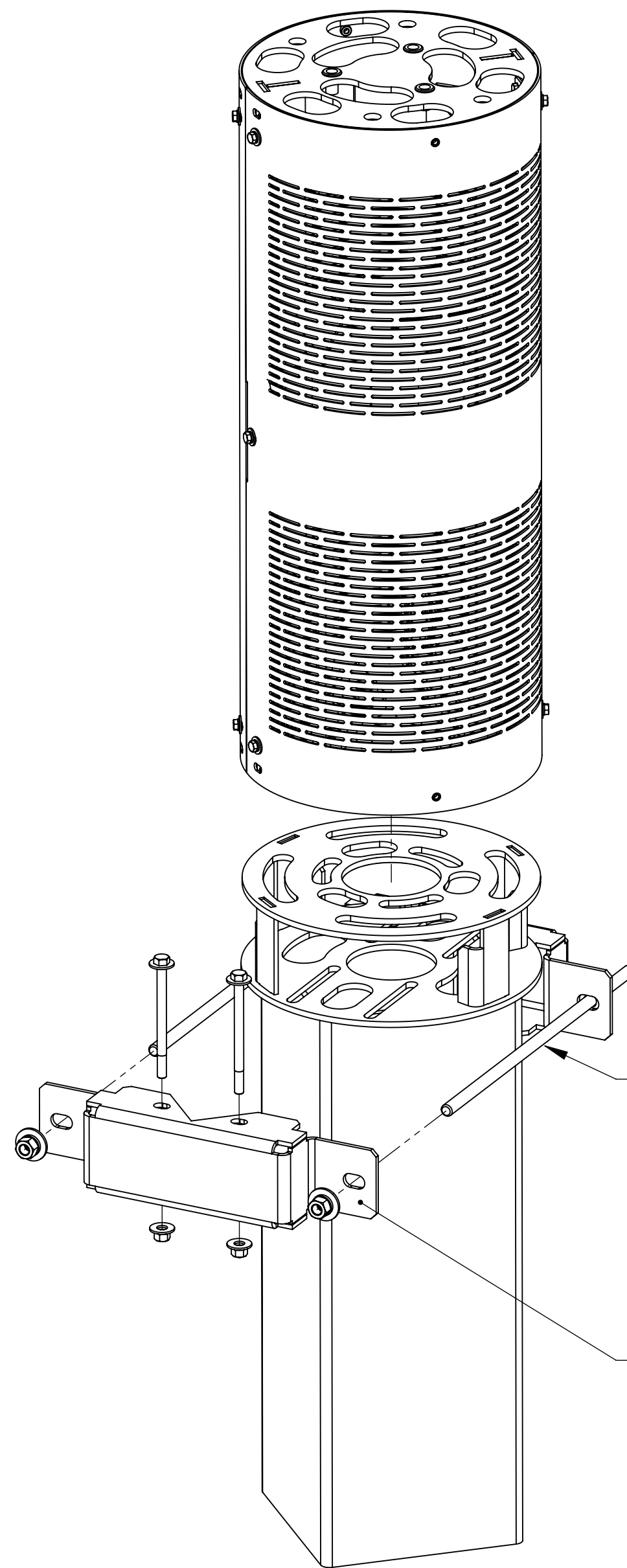
POLETOP SHOWN FOR REFERENCE ONLY. NOT INCLUDED WITH THIS KIT



12" POLETOP ON
3.5" SQ POLE



12" POLETOP ON
6.0" SQ POLE



12" POLETOP ON
8.5" SQ POLE

THREADED ROD REQUIRED TO BE "CUT-TO-SIZE" IF A CONCEALMENT TRANSITION COVER WILL BE INSTALLED

8" MAX. FOR POLE SIZE UPTO 6" SQ
12" MAX. FOR POLE SIZE > 6" SQ

MTM1099-1201 BRACKET REQUIRED FOR POLES LARGER THAN 6" SQ.

MTM1099-1202 BRACKET REQUIRED FOR POLE 6" SQ AND SMALLER

POLE BRACKETS (MTM1099-1201 AND MTM1099-1202) WILL ACCOMODATE POLES WITH CORNER RADIUS 1/8" OR LARGER.

COMMSCOPE, INC. OF NORTH CAROLINA

TITLE
PT MOUNTING KIT SQ POLES

SIZE C	SCALE 1:12	DOCUMENT NO. 860636779-SQ1
------------------	----------------------	-------------------------------

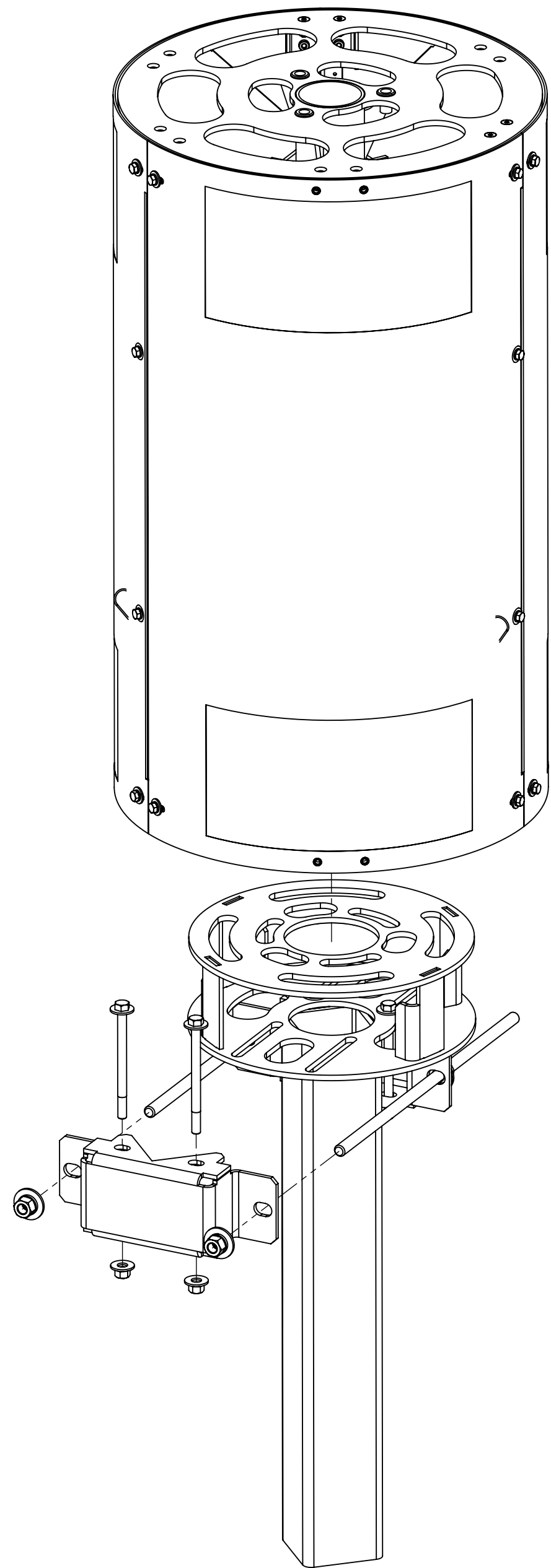
DRAWING	VERSION	STATUS	REVISION	SHEET 2 OF 4
	01	RE	A	

4

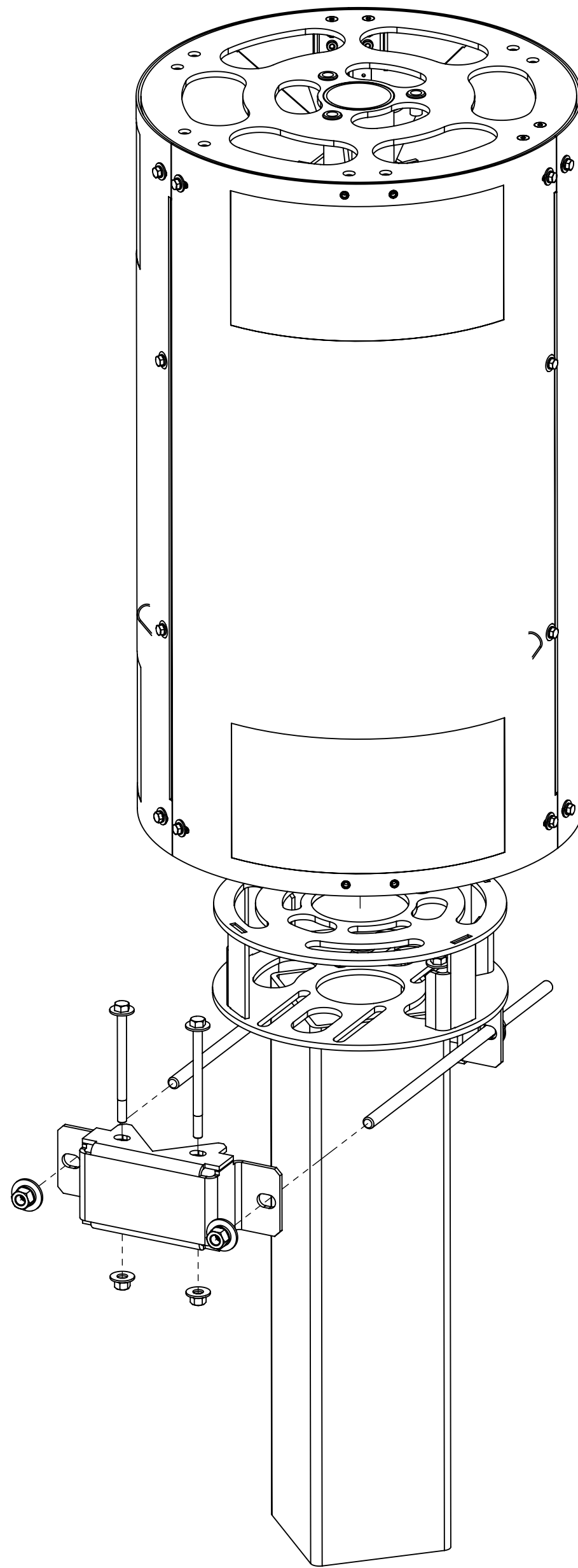
3

2

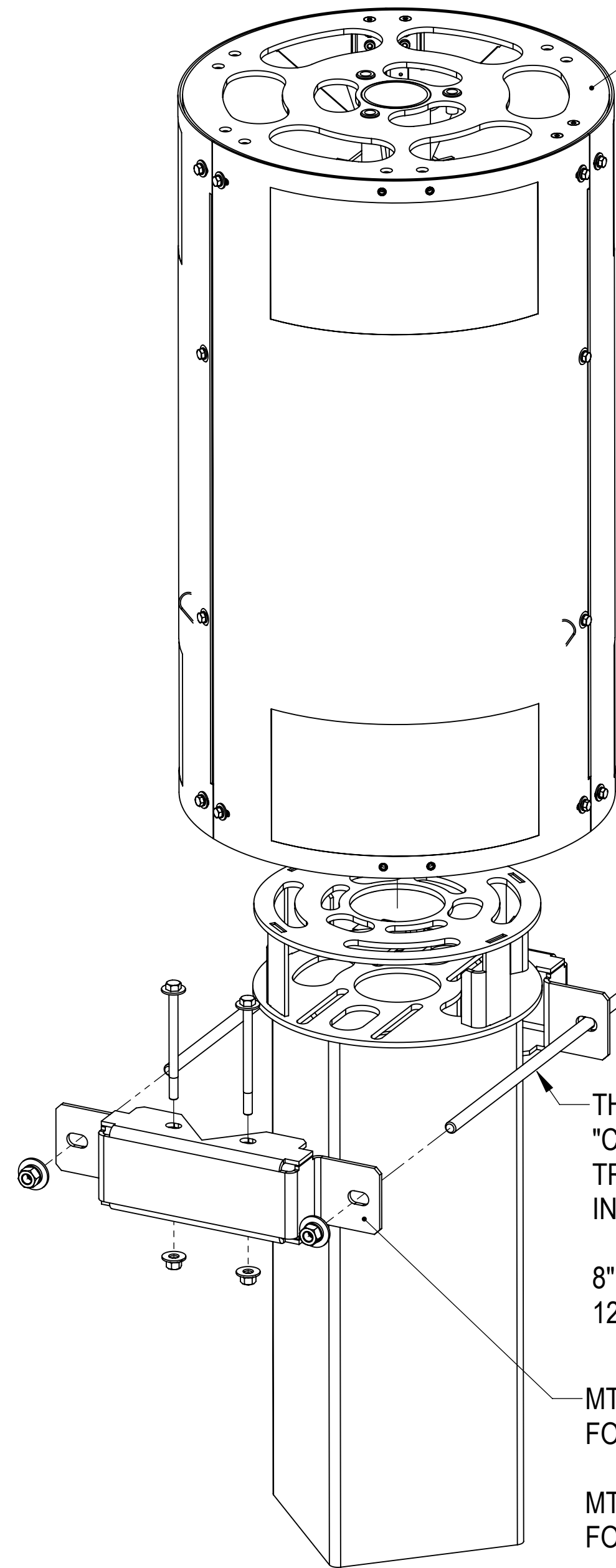
1



18" POLETOP ON
3.5" SQ POLE



18" POLETOP ON
6.0" SQ POLE



18" POLETOP ON
8.5" SQ POLE

THREADED ROD REQUIRED TO BE
"CUT-TO-SIZE" IF A CONCEALMENT
TRANSITION COVER WILL BE
INSTALLED

8" MAX. FOR POLE SIZE UP TO 6" SQ
12" MAX. FOR POLE SIZE > 6" SQ

MTM1099-1201 BRACKET REQUIRED
FOR POLES LARGER THAN 6" SQ.

MTM1099-1202 BRACKET REQUIRED
FOR POLE 6" SQ AND SMALLER

POLE BRACKETS (MTM1099-1201 AND MTM1099-1202)
WILL ACCOMODATE POLES WITH CORNER RADIUS
1/8" OR LARGER.

COMMSCOPE, INC. OF NORTH CAROLINA			
TITLE PT MOUNTING KIT SQ POLES			
SIZE C	SCALE 1:12	DOCUMENT NO. 860636779-SQ1	
DRAWING		VERSION	REVISION
		01	RE A
SHEET 3 OF 4			

4

3

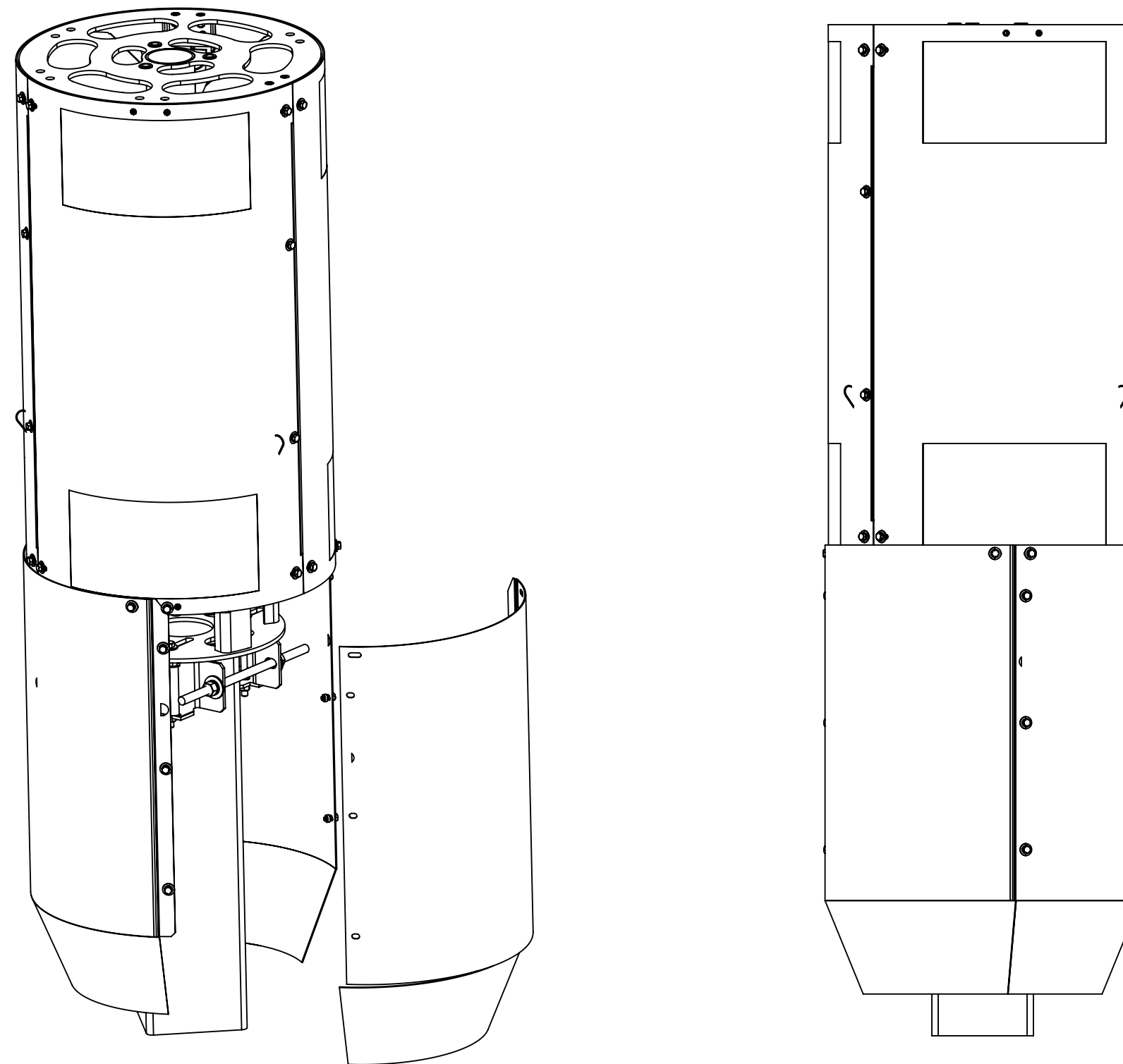
2

1

COMMSCOPE CONCEALMENT LOWER TRANSITION COMPATIBILITY MATRIX

	12" POLETOP	18" POLETOP
3.5" SQ. POLE	860641110-PTX	860644785-18C1X
6.0" SQ. POLE	860641110-PTX	860644785-18C1X
8.5" SQ. POLE	CUSTOM	860644785-18C1X

THESE TRANSITIONS MAYBE PURCHASED SEPARATELY.
NOT INCLUDED WITH 860636779-SQ1



LOWER TRANSITIONS SHOWN INSTALLED FOR REFERENCE

COMMSCOPE, INC. OF NORTH CAROLINA				
TITLE PT MOUNTING KIT SQ POLES				
SIZE C	SCALE 1:12	DOCUMENT NO. 860636779-SQ1		
		DRAWING		SHEET 4 OF 4
		VERSION 01	STATUS RE	

4

3

2

1

D

D

C

C

B

B

A

A