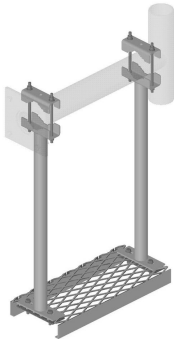


WP-197



Work Platform for Single Pipe Support Arm

Product Classification

Product Type Work platforms for support arm

Dimensions

Height 990.6 mm | 39 in

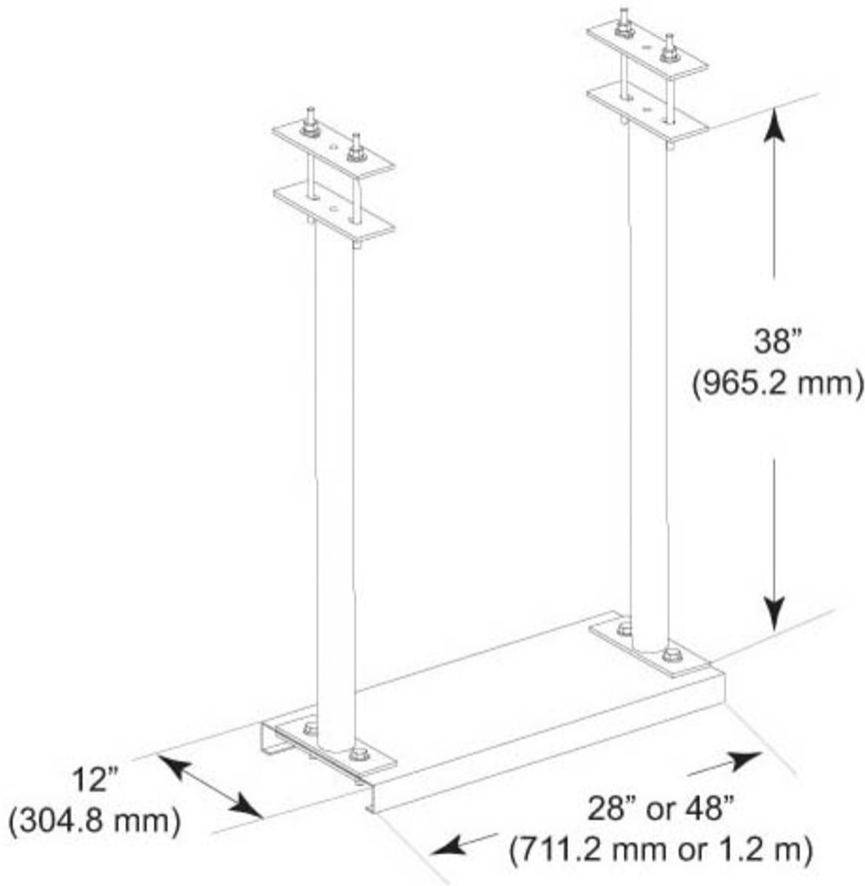
Platform Width 304.8 mm | 12 in

Width 762 mm | 30 in

Length 304.8 mm | 12 in

WP-197

Outline Drawing



Material Specifications

Material Type Hot dip galvanized steel

Packaging and Weights

Included Clamps | Grating | Hardware

Packaging quantity 1

Weight, net 37.1 kg | 81.791 lb

Regulatory Compliance/Certifications

Agency **Classification**

WP-197

ISO 9001:2015

Designed, manufactured and/or distributed under this quality management system

