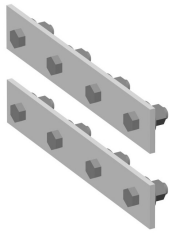


WS-K400



Straight Splice for Safety Grated Channel, 24 in

Product Classification

Product Type Splices and splicing kits

General Specifications

Application Waveguide bridge kit, 24 in

Mounting Safety grated waveguide bridge

Dimensions

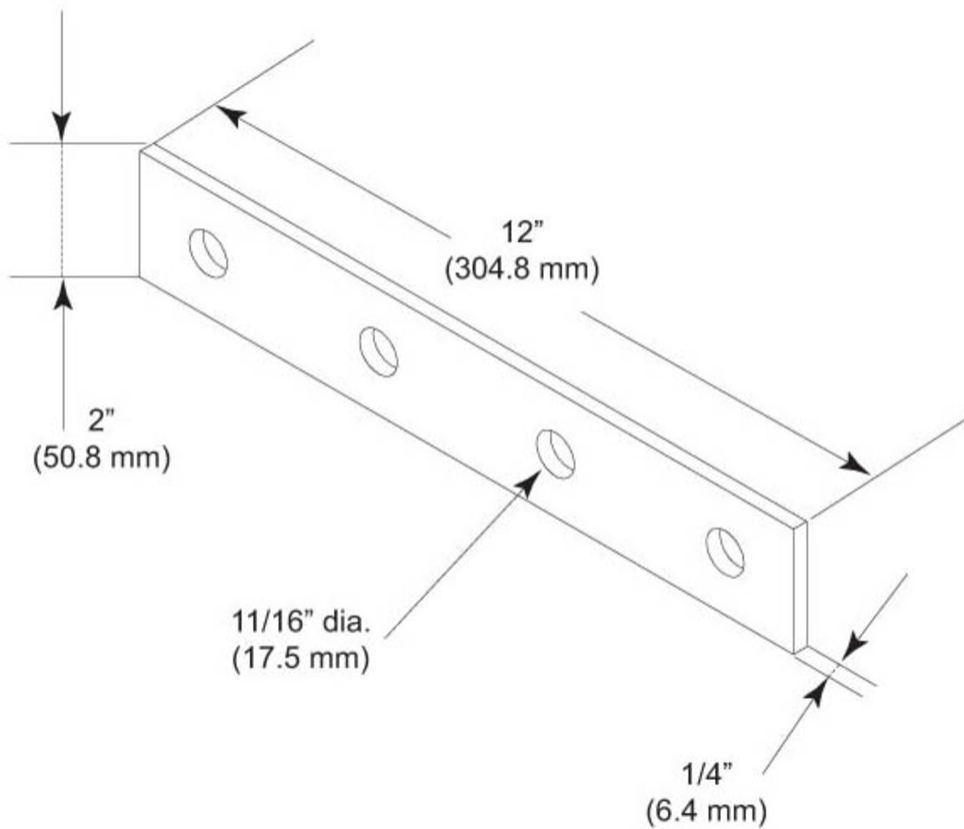
Height 50.8 mm | 2 in

Width 609.6 mm | 24 in

Length 304.8 mm | 12 in

WS-K400

Outline Drawing



Material Specifications

Material Type Hot dip galvanized steel

Packaging and Weights

Included Hardware | Splices

Packaging quantity 1

Weight, net 2.8 kg | 6.173 lb

Regulatory Compliance/Certifications

Agency	Classification
ISO 9001:2015	Designed, manufactured and/or distributed under this quality management system