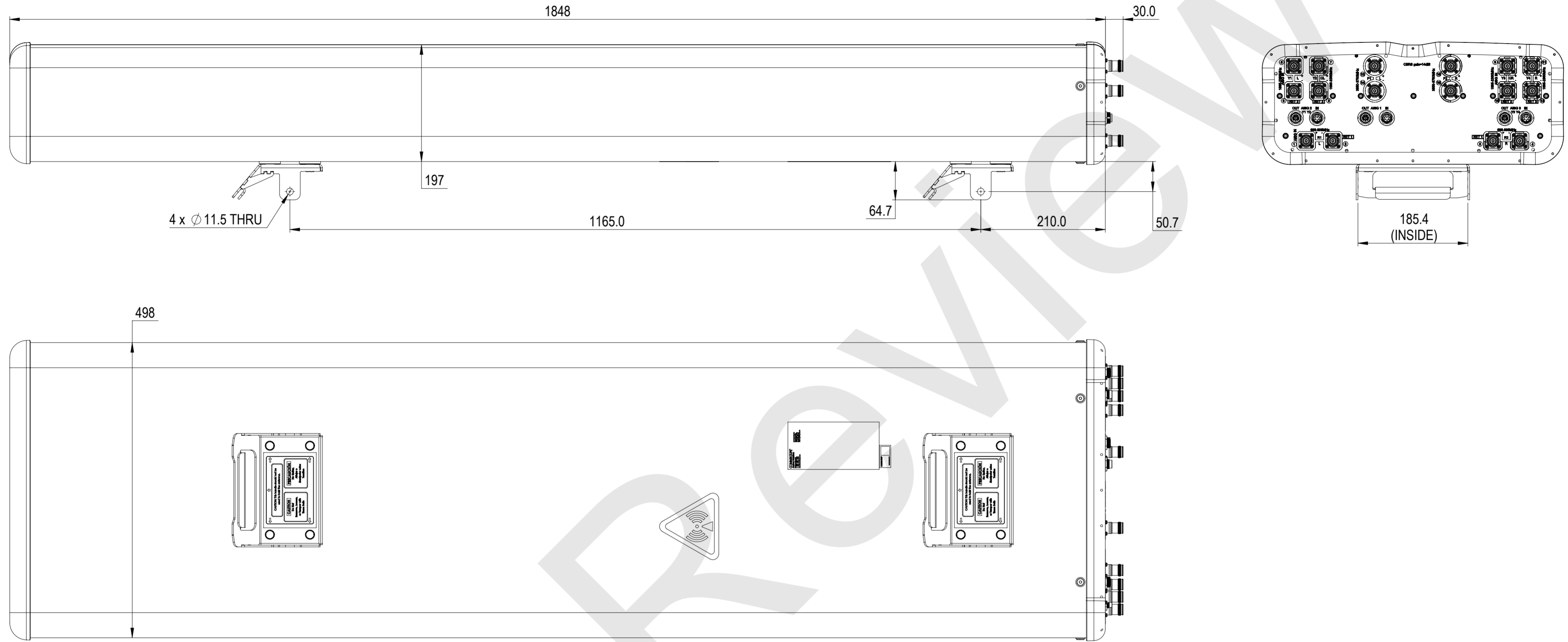


NOTES:

REVISIONS			
REV.	DESCRIPTION	DATE	APPROVED
A	ECR 8000044304: RELEASE TO PRODUCTION PER EAO 608924.	29MAR2021 AK	RT/MR



NNH4SS-65B-R3BT8

COMMSCOPE, INC. OF NORTH CAROLINA

TOLERANCES		SAP MATERIAL MASTER															
0 PLACE	X ±	2 PLACE	.XX ±														
1 PLACE	.X ±	ANGLES	±														
FINISH		MATERIAL															
UNLESS OTHERWISE SPECIFIED DIMENSIONS ARE IN MILLIMETERS INTERPRET PER ISO STANDARDS HANDBOOK TECHNICAL DRAWINGS VOLUMES 1 & 2, THIRD EDITION (2002)		<table border="1"> <thead> <tr> <th>NAME</th> <th>DATE</th> <th>TITLE</th> </tr> </thead> <tbody> <tr> <td>CE AK1095</td> <td>03/29/2021</td> <td rowspan="5">PRODUCT DRAWING</td> </tr> <tr> <td>RW NH1031</td> <td>05/04/2021</td> </tr> <tr> <td>AD RT1047</td> <td>04/30/2021</td> </tr> <tr> <td>RE</td> <td></td> </tr> <tr> <td>ECN 8000044304-O</td> <td></td> </tr> </tbody> </table>		NAME	DATE	TITLE	CE AK1095	03/29/2021	PRODUCT DRAWING	RW NH1031	05/04/2021	AD RT1047	04/30/2021	RE		ECN 8000044304-O	
NAME	DATE	TITLE															
CE AK1095	03/29/2021	PRODUCT DRAWING															
RW NH1031	05/04/2021																
AD RT1047	04/30/2021																
RE																	
ECN 8000044304-O																	
SCALE		DOCUMENT NO.															
1:5		NNH4SS-65B-R3BT8-L															
SIZE		Auth Group															
A2		BSA															
HEIGHT		MODEL															
LENGTH		VERSION															
WIDTH		STATUS															
		REVISION															
		DRAWING															
		VERSION															
		STATUS															
		REVISION															
		SHEET															
		1 OF 1															

DENSITY	g/mm <sup>3</sup>
MASS	grams
VOLUME	mm <sup>3</sup>
SURFACE AREA	mm <sup>2</sup>