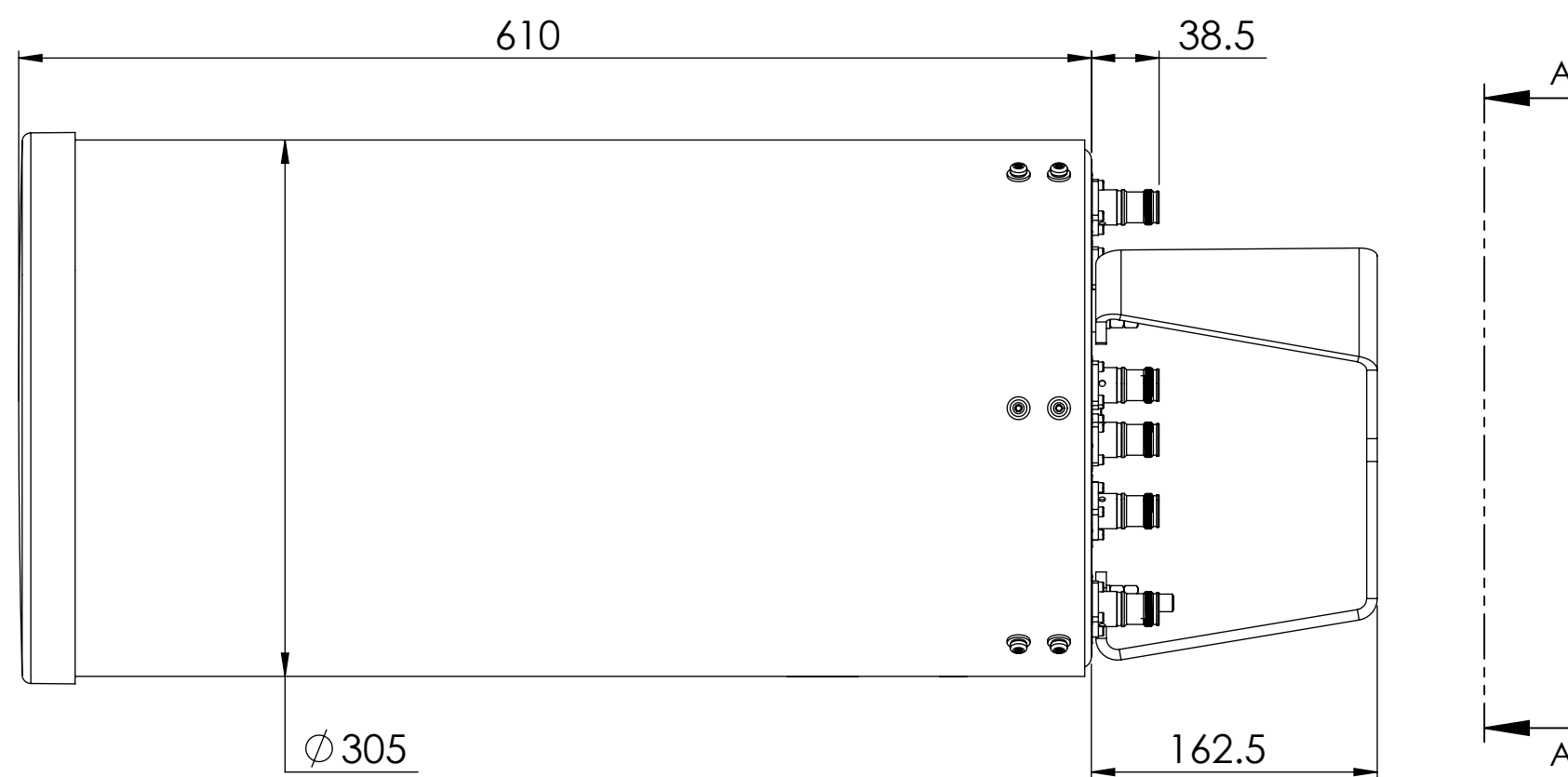
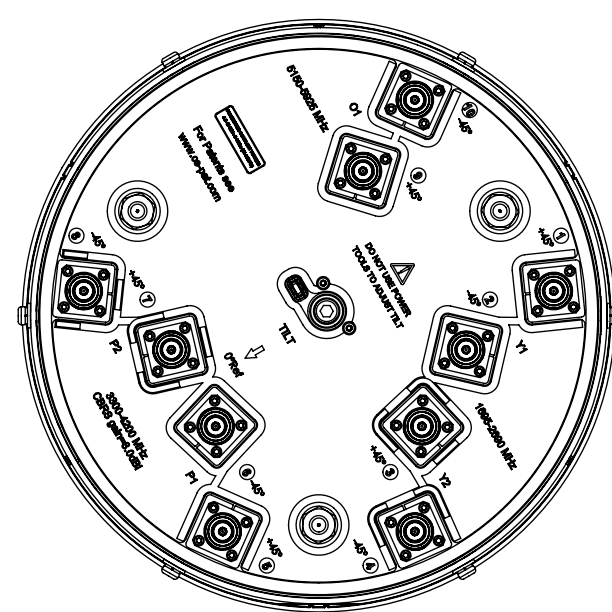
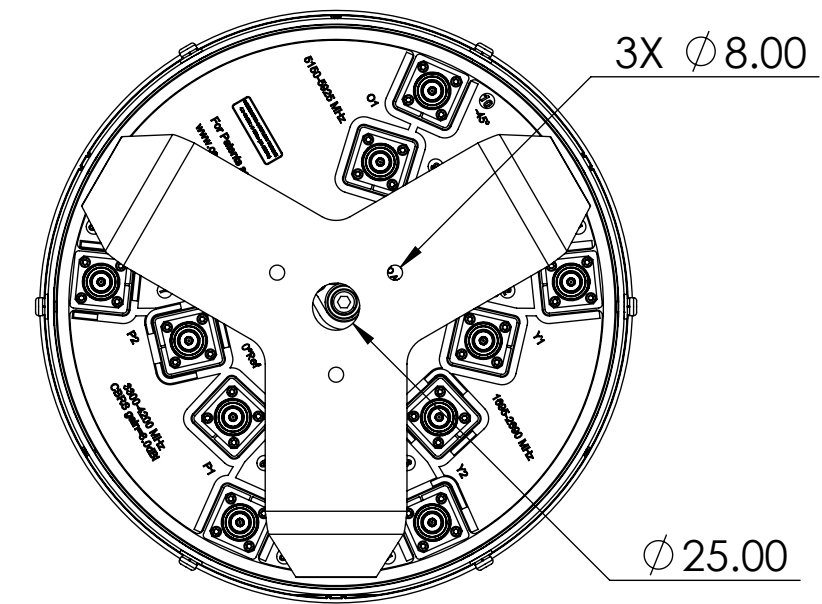


NOTES:

REVISIONS			
REV.	DESCRIPTION	DATE	APPROVED
A	ECR 8000042525: REL TO PRODUCTION PER EAO 608651.	26AUG20 ZW	XA.F/WY



VVSSP-360S-M-V4



VIEW A-A
BRACKET NOT SHOWN

DENSITY	g/mm ³
MASS	grams
VOLUME	mm ³
SURFACE AREA	mm ²
HEIGHT	
LENGTH	
WIDTH	

COMMSCOPE, INC. OF NORTH CAROLINA										
TOLERANCES					SAP MATERIAL MASTER					
0 PLACE	X ±	2 PLACE	.XX ±							
1 PLACE	.X ±	ANGLES	±							
FINISH					MATERIAL					
N/A					N/A					
<small>UNLESS OTHERWISE SPECIFIED DIMENSIONS ARE IN MILLIMETERS INTERPRET PER ISO STANDARDS HANDBOOK TECHNICAL DRAWINGS VOLUMES 1 & 2, THIRD EDITION (2002)</small>	NAME	DATE	TITLE							
	CE	WZ1012	08/26/2020	PRODUCT DRAWING						
	RW	WZ1012	09/03/2020							
	RV	XF1003	09/04/2020							
	AD	YW1031	09/04/2020							
	RE	QS1002	09/06/2020							
ECN 8000042525-O			SCALE	DOCUMENT NO.						
			1:4	VVSSP-360S-M-V4-L						
SIZE	WORK AREA	23	MODEL			DRAWING				SHEET
A2		VERSION	STATUS	REVISION	VERSION	STATUS	REVISION	1 OF 1		
		00	RE	A	00	RE	A			