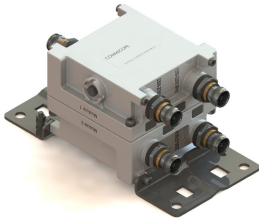


# E14F06P61

---



Twin Diplexer, 1350–2200 MHz / 2300–2700 MHz, DCauto, with 4.3-10 connectors

- Industry leading PIM performance
- New 4.3-10 connectors for improved PIM performance and size reduction
- Designed for network modernization application, introduction of LTE2300 and LTE2600 on existing site
- Twin configuration
- DC/AISG SMART bypass functionality

## Product Classification

**Product Type** Diplexer

## General Specifications

**Color** Gray

**Modularity** 2-Twin

**Mounting** Pole | Wall

**Mounting Pipe Hardware** Band clamps (2)

**RF Connector Interface** 4.3-10 Female

**RF Connector Interface Body Style** Medium neck

## Dimensions

**Height** 102 mm | 4.016 in

**Width** 121 mm | 4.764 in

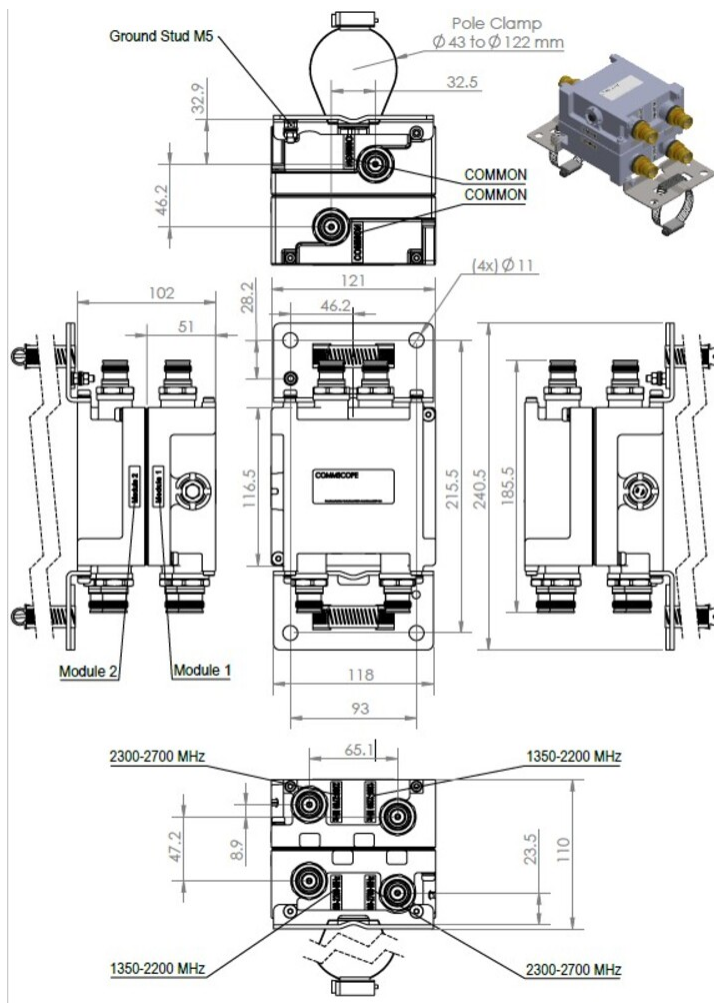
**Depth** 117 mm | 4.606 in

**Ground Screw Diameter** 5 mm | 0.197 in

**Mounting Pipe Diameter Range** 43–122 mm

## Outline Drawing

# E14F06P61



## Electrical Specifications

**Impedance** 50 ohm

## Electrical Specifications, dc Power/Alarm

**dc/AISG Pass-through Method** Auto sensing

**dc/AISG Pass-through Path** Auto sensing circuitry detects dc/AISG signal presence and selects path

**dc/AISG Pass-through, combiner** Autosensing

**dc/AISG Pass-through, demultiplexer** Autosensing

**Lightning Surge Current** 10 kA

**Lightning Surge Current Waveform** 8/20 waveform

## Electrical Specifications, AISG

# E14F06P61

**AISG Carrier**

2176 KHz  $\pm$  100 ppm

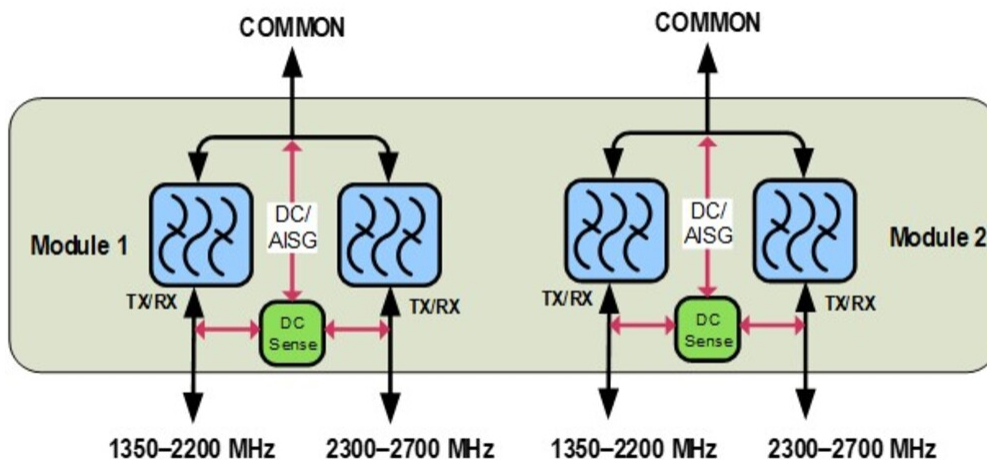
## Electrical Specifications

<b>Sub-module</b>	<b>1   2</b>	<b>1   2</b>
<b>Branch</b>	1	2
<b>Port Designation</b>	1350-2200	2300-2700

## Electrical Specifications, Band Pass

<b>Frequency Range, MHz</b>	<b>1350–2200</b>	<b>2300–2700</b>
<b>Insertion Loss, typical, dB</b>	0.2	0.2
<b>Return Loss, typical, dB</b>	20	20
<b>Isolation, typical, dB</b>	52	52
<b>Input Power, RMS, maximum, W</b>	300	300
<b>Input Power, PEP, maximum, W</b>	2000	2000
<b>3rd Order PIM, typical, dBc</b>	-162	-162
<b>3rd Order PIM Test Method</b>	Two +43 dBm carriers	Two +43 dBm carriers

## Block Diagram



## Mechanical Specifications

**Wind Speed, maximum** 150 km/h (93 mph)

## Environmental Specifications

**Operating Temperature** -40 °C to +65 °C (-40 °F to +149 °F)

# E14F06P61

---

<b>Corrosion Test Method</b>	IEC 60068-2-11, 30 days
<b>Environmental Test Method</b>	ETSI EN 300 019-1-4
<b>Ingress Protection Test Method</b>	IEC 60529:2001, IP67

## Packaging and Weights

<b>Included</b>	Mounting hardware
<b>Volume</b>	1.45 L
<b>Weight, with mounting hardware</b>	2.9 kg   6.393 lb
<b>Weight, without mounting hardware</b>	2.5 kg   5.512 lb

## Regulatory Compliance/Certifications

<b>Agency</b>	<b>Classification</b>
CHINA-ROHS	Above maximum concentration value
ISO 9001:2015	Designed, manufactured and/or distributed under this quality management system
ROHS	Compliant/Exempted
UK-ROHS	Compliant/Exempted

