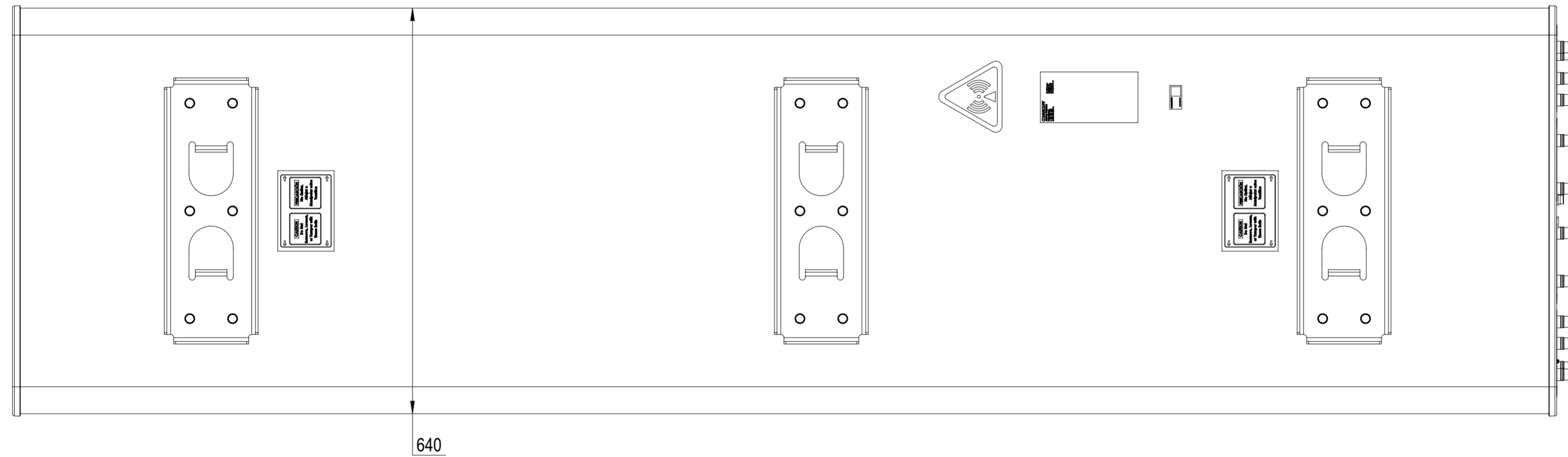
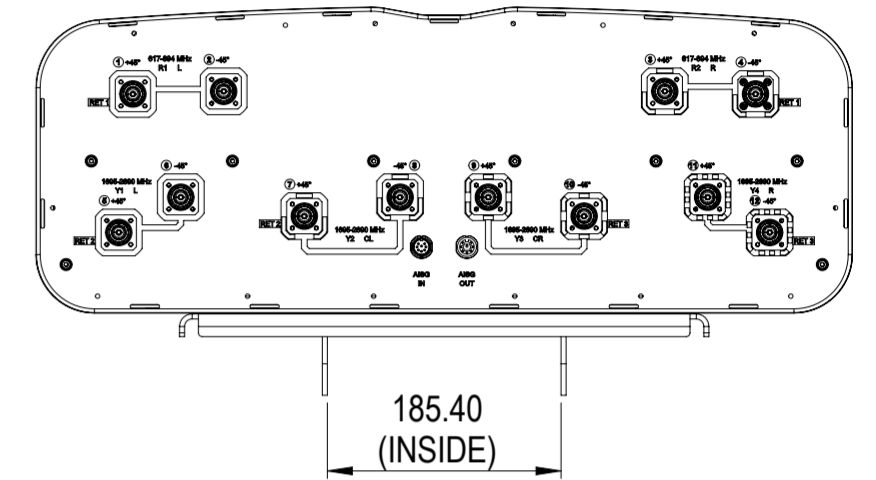
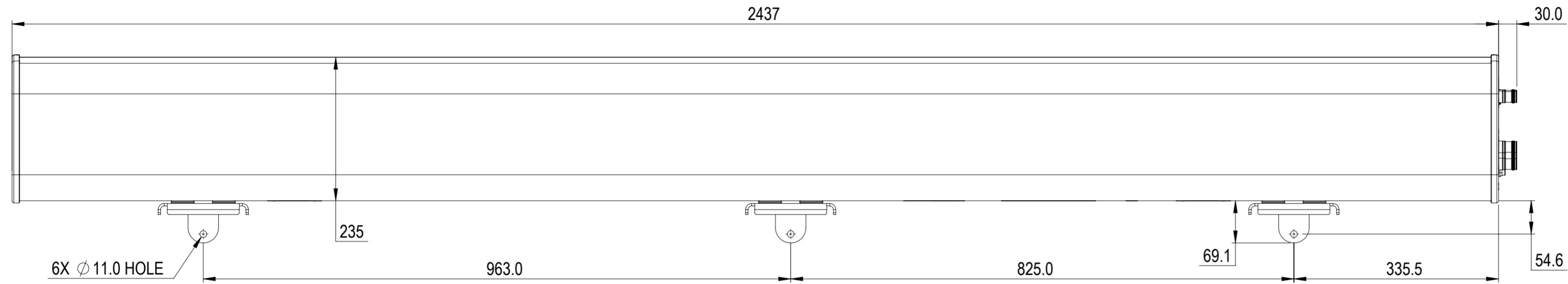


NOTES:

REVISIONS			
REV.	DESCRIPTION	DATE	APPROVED
A	ECR 8000033220: RELEASE TO PRODUCTION PER EAO 606271.	22MAY19 L.Z	GMDING/X.MEI
B	ECR 8000033220: UPDATE DRAWING.	20JUN19 L.Z	GMDING/X.MEI



FFV4-65C-R3-V1

COMMSCOPE, INC. OF NORTH CAROLINA																	
TOLERANCES						SAP MATERIAL MASTER											
0 PLACE X ±			2 PLACE .XX ±			1 PLACE .X ±			ANGLES ±								
FINISH						MATERIAL											
<small>UNLESS OTHERWISE SPECIFIED DIMENSIONS ARE IN MILLIMETERS INTERPRET PER ISO STANDARDS HANDBOOK TECHNICAL DRAWINGS VOLUMES 1 &amp; 2, THIRD EDITION (2002)</small>																	
												NAME			DATE		
CE LZ1032			19JUN19			PRODUCT DRAWING											
RW LZ1032			07/01/2019														
RV GD1001			07/01/2019														
AD XIMEI			07/01/2019														
RE XIAOWANG			07/01/2019														
ECN 8000033220-O																	
SCALE 1:6			DOCUMENT NO. FFV4-65C-R3-V1-L														
SIZE A2			WORK AREA 23			MODEL			DRAWING			SHEET 1 OF 1					
VERSION 00			STATUS RE			REVISION A			VERSION 01			STATUS RE			REVISION B		

DENSITY	g/mm <sup>3</sup>
MASS	grams
VOLUME	mm <sup>3</sup>
SURFACE AREA	mm <sup>2</sup>
HEIGHT	
LENGTH	
WIDTH	