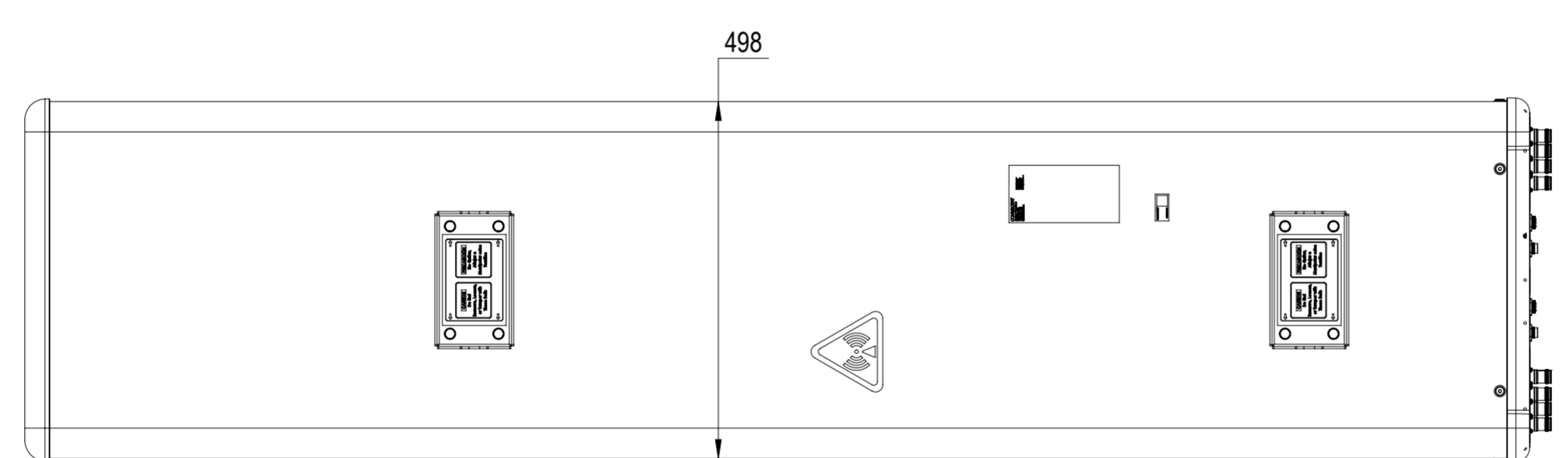
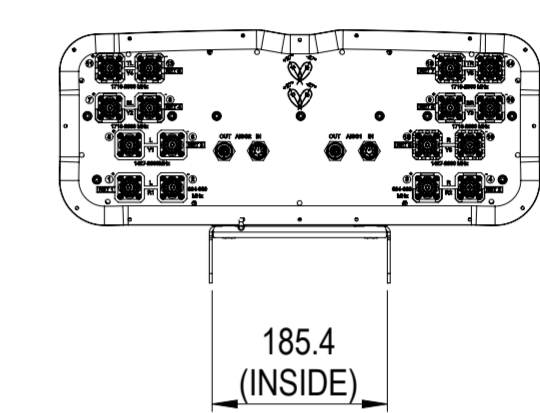
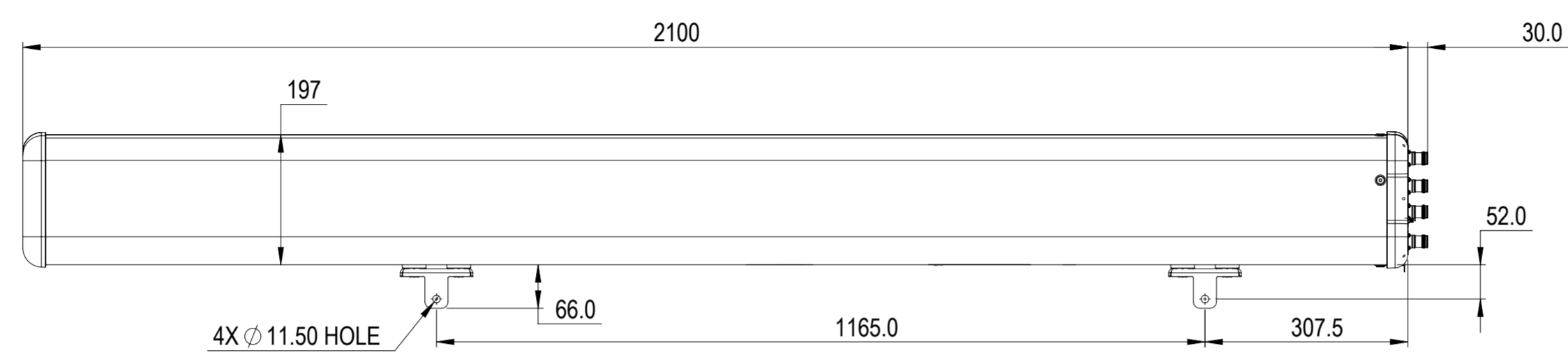


REVISIONS			
REV.	DESCRIPTION	DATE	APPROVED
A	ECR 8000042219: REL TO PRODUCTION PER EAO 608399.	06MAY21 PN	MB/UG



RRZZ2VV-6533B-R8

COMMSCOPE, INC. OF NORTH CAROLINA

TOLERANCES		SAP MATERIAL MASTER	
0 PLACE X ±	2 PLACE .XX ±		
1 PLACE .X ±	ANGLES ±		
FINISH		MATERIAL	
<small>UNLESS OTHERWISE SPECIFIED DIMENSIONS ARE IN MILLIMETERS INTERPRET PER ISO STANDARDS HANDBOOK TECHNICAL DRAWINGS VOLUMES 1 & 2, THIRD EDITION (2002)</small>		NAME	DATE
		CE NPHATAK	05/06/2021
		RW NPHATAK	05/07/2021
		AD MB1140	05/07/2021
		RE RK1070	05/07/2021
ECN 8000042219-0		SCALE	DOCUMENT NO.
		1:8	RRZZ2VV-6533B-R8-L
SIZE	Auth Group	BSA	MODEL
A2			VERSION STATUS REVISION
			00 RE A
DRAWING		SHEET	
VERSION STATUS REVISION	VERSION STATUS REVISION	1 OF 1	
00 RE A	00 RE A		

DENSITY	g/mm ³
MASS	grams
VOLUME	mm ³
SURFACE AREA	mm ²
HEIGHT	
LENGTH	
WIDTH	