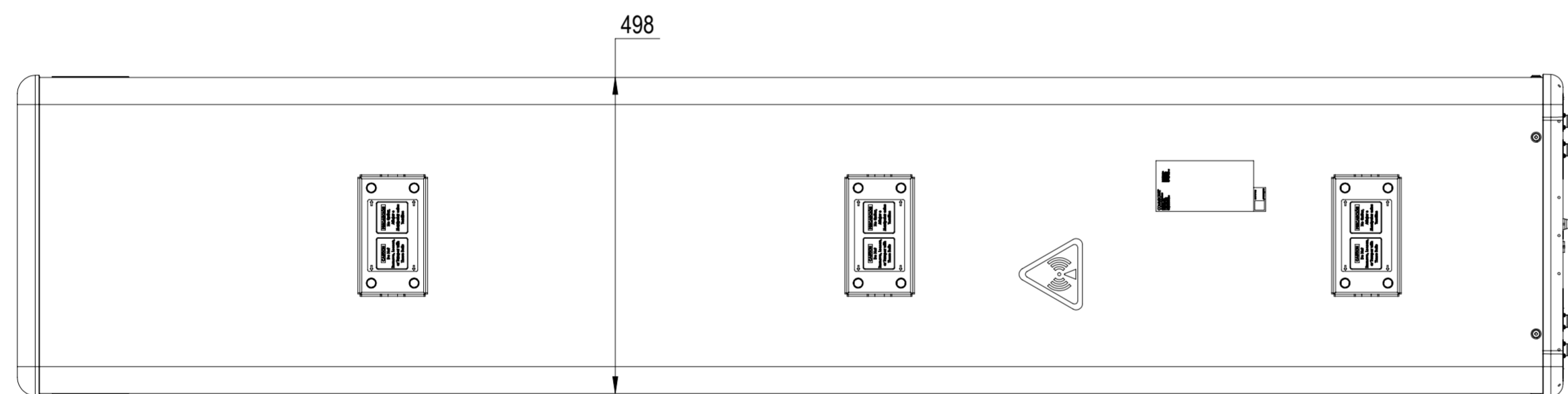
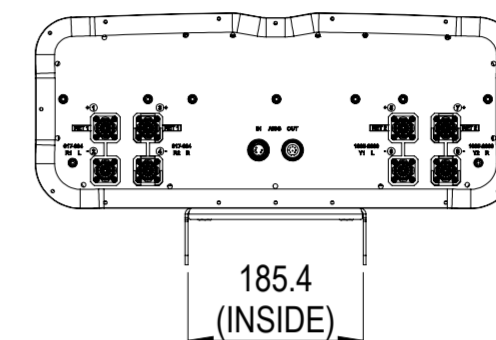
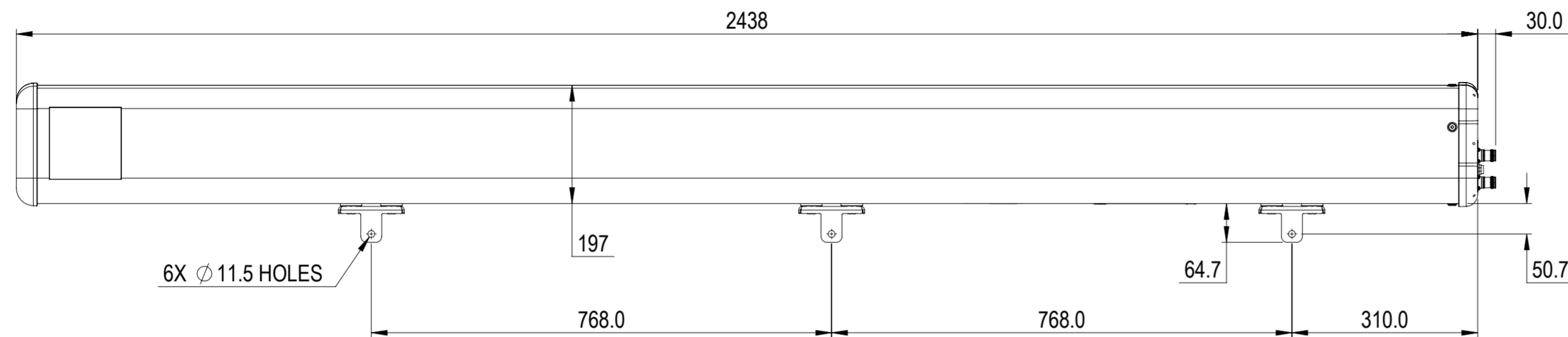


REVISIONS			
REV.	DESCRIPTION	DATE	APPROVED
A	ECR 8000042944: RELEASE TO PRODUCTION PER EAO 608682.	30JUN21 YYOU	LBY/LW



FFVV-65C-R2

COMMSCOPE, INC. OF NORTH CAROLINA										
TOLERANCES					SAP MATERIAL MASTER					
0 PLACE X ± SEE NOTE 1 2 PLACE .XX ±										
1 PLACE .X ±					ANGLES ±					
FINISH					MATERIAL					
PRODUCT DRAWING										
UNLESS OTHERWISE SPECIFIED DIMENSIONS ARE IN MILLIMETERS INTERPRET PER ISO STANDARDS HANDBOOK TECHNICAL DRAWINGS VOLUMES 1 & 2, THIRD EDITION (2002)		NAME	DATE	TITLE						
		CE YYOU	30JUN21	FFVV-65C-R2-L						
		RW YYOU	06/30/2021							
		AD ELI2	06/30/2021							
RE XS1022	06/30/2021									
ECN 8000042944-O		SCALE 1:8		DOCUMENT NO.						
SIZE A2		Auth Group BSA		MODEL			DRAWING			SHEET
		VERSION 00		STATUS RE		REVISION A		VERSION 00		STATUS RE
								REVISION A		1 OF 1

DENSITY	g/mm ³
MASS	grams
VOLUME	mm ³
SURFACE AREA	mm ²
HEIGHT	
LENGTH	
WIDTH	

© 2021 CommScope, Inc.