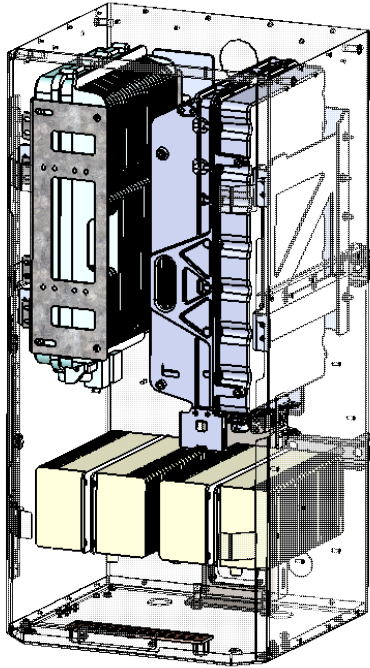
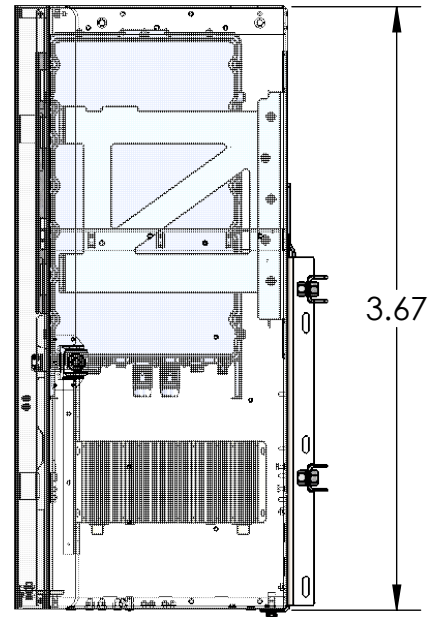
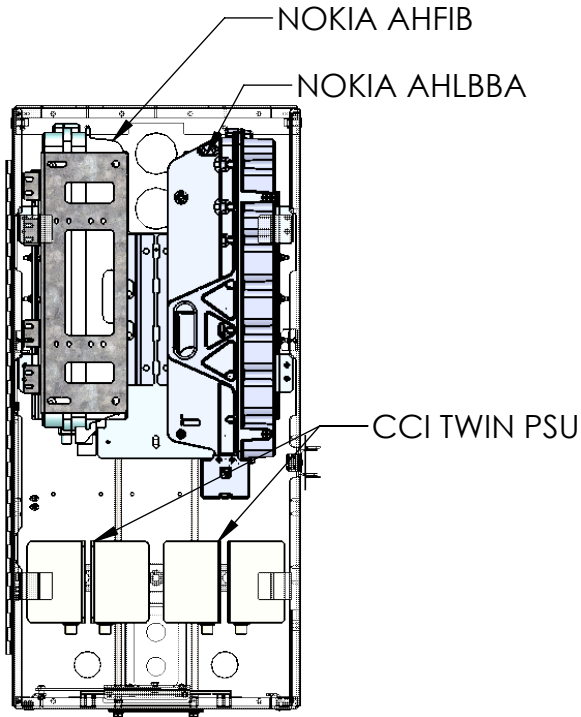
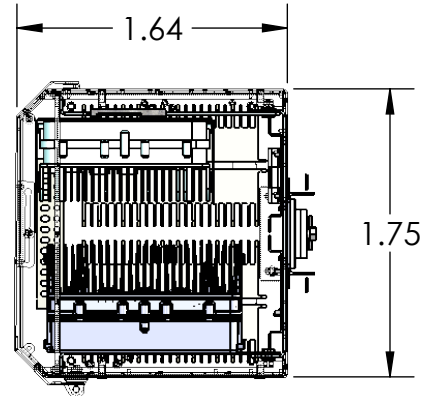


REVISIONS			
REV.	DESCRIPTION	BY	DATE
A	DRAWING RELEASE	MJP	04/23/2021



**ISOMETRIC VIEW
(DOOR REMOVED)**

1.64 x 1.75 x 3.67 = 10.53 cu ft



These drawings and specifications are the proprietary property of CommScope Inc. and may be used only for the specific purpose authorized in writing by CommScope Inc.

ALL DIMENSIONS ARE IN INCHES U.O.S.
TOLERANCES UNLESS OTHERWISE SPECIFIED:

.X = ±	.12	ANGLES	±2°
.XX = ±	.06	FRACTIONS	±1/32
.XXX = ±	.031		

REMOVE BURRS AND BREAK EDGES .005

DO NOT SCALE THIS PRINT

DRAWN BY: MJP	SHEET: 1 of 1
CHECKED BY:	SCALE:
DATE:	MATERIAL:
REVISION: A	FINISH:
	WEIGHT:

PART NUMBER:
REMI AHLBBA + AHFIB LAYOUT-01

DESCRIPTION:
METRO CELL, MICRO ENCLOSURE

DRAWING TYPE:

