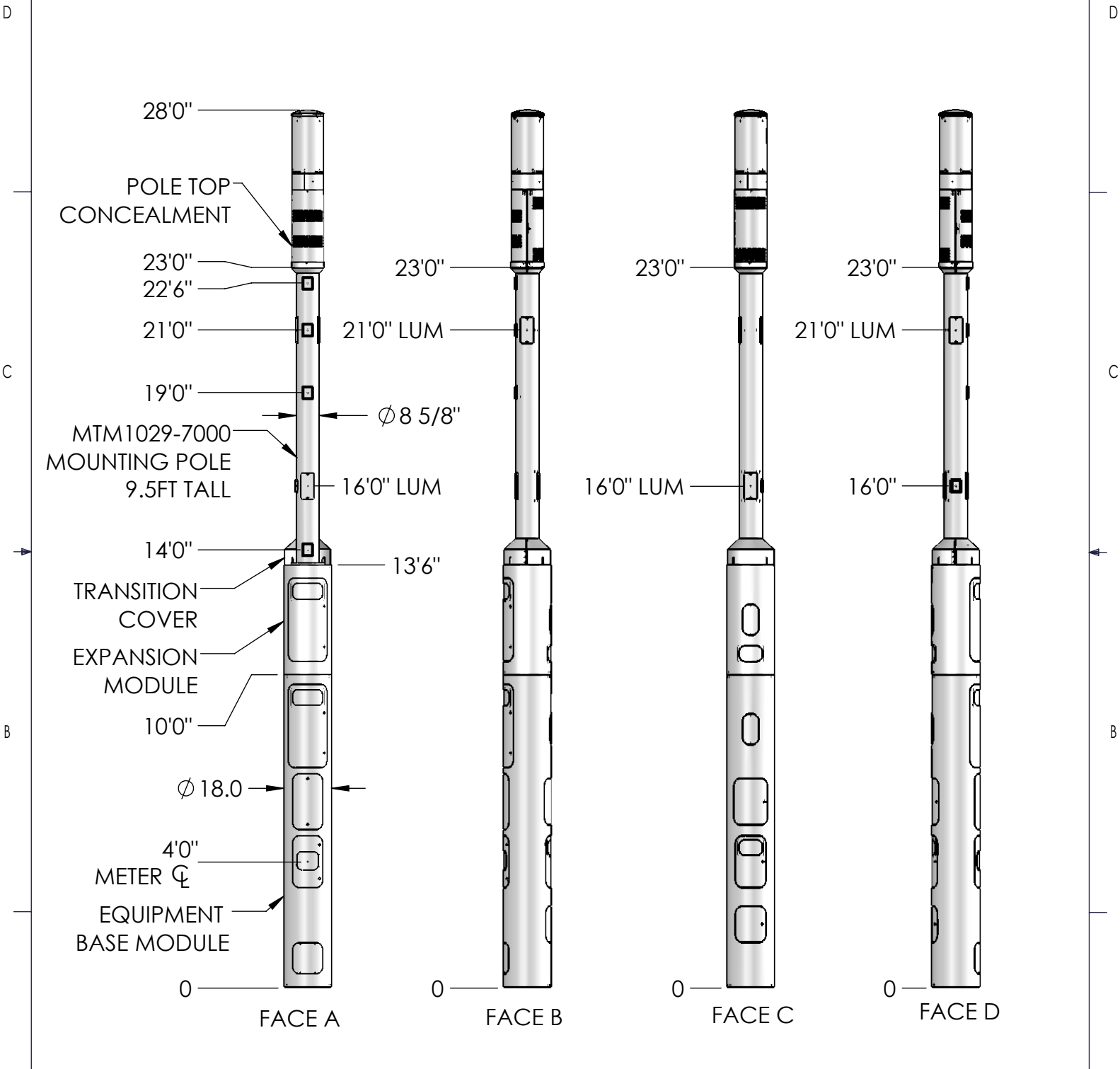


REVISIONS			
REV.	DESCRIPTION	BY	DATE
A	PRELIMINARY RELEASE	MJP	11/11/2021



<p>These drawings and specifications are the proprietary property of CommScope Inc. and may be used only for the specific purpose authorized in writing by CommScope Inc.</p> <p>ALL DIMENSIONS ARE IN INCHES U.O.S. TOLERANCES UNLESS OTHERWISE SPECIFIED:</p> <p>.X = ± .12 ANGLES ±2° .XX = ± .06 FRACTIONS ±1/32 .XXX = ± .031</p> <p>REMOVE BURRS AND BREAK EDGES .005</p> <p>DO NOT SCALE THIS PRINT</p>	DRAWN BY: MJP	SHEET: 1 of 1	PART NUMBER: 760243184xx23xP
	CHECKED BY:	SCALE:	DESCRIPTION: METRO CELL, 18 IN INTEGRATED POLE SOLUTION
	DATE:	MATERIAL:	DRAWING TYPE:
	REVISION: A	FINISH:	
		WEIGHT:	

4

3

2

1

D

D

C

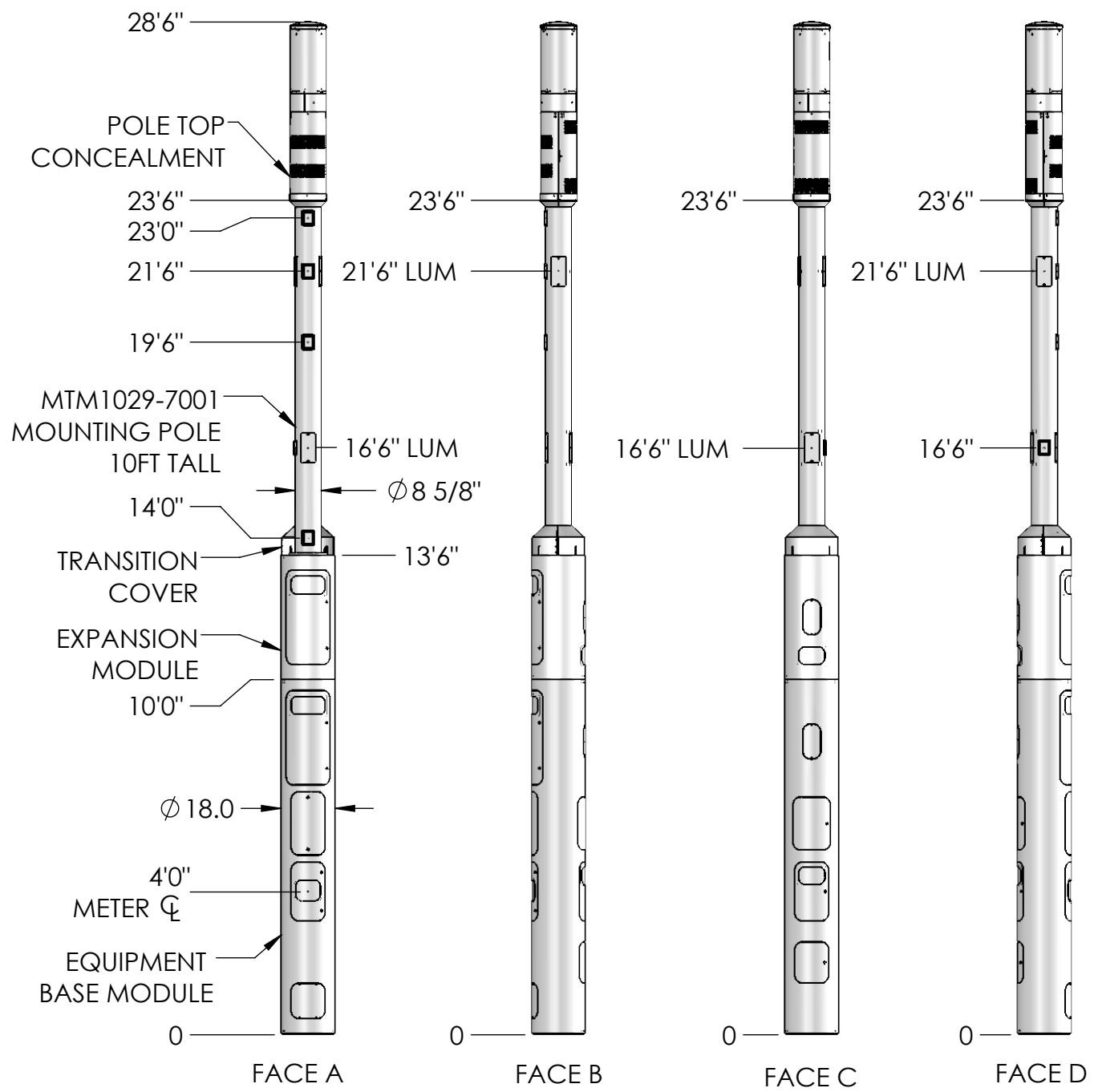
C

B

B

A

A



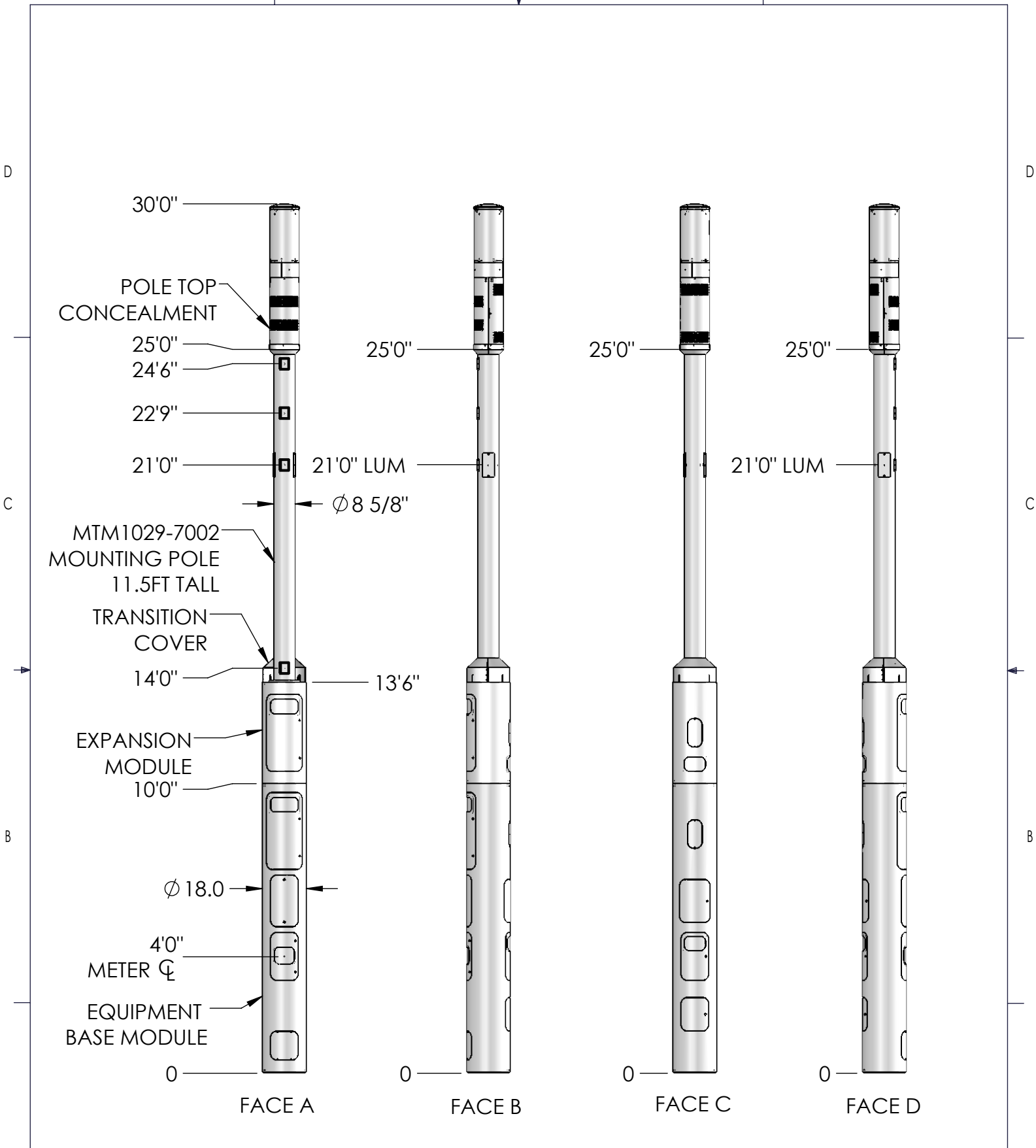
<p>These drawings and specifications are the proprietary property of Commscope Inc. and may be used only for the specific purpose authorized in writing by Commscope Inc.</p> <p>ALL DIMENSIONS ARE IN INCHES U.O.S. TOLERANCES UNLESS OTHERWISE SPECIFIED:</p> <p>.X = ± .12 ANGLES ±2° .XX = ± .06 FRACTIONS ±1/32 .XXX = ± .031</p> <p>REMOVE BURRS AND BREAK EDGES .005</p> <p>DO NOT SCALE THIS PRINT</p>	DRAWN BY: MJP	SHEET: 1 of 1	PART NUMBER: 760243184xx24xP
	CHECKED BY:	SCALE:	DESCRIPTION: METRO CELL, 18 IN INTEGRATED POLE SOLUTION
	DATE:	MATERIAL:	DRAWING TYPE:
	REVISION: A	FINISH:	
		WEIGHT:	

4

3

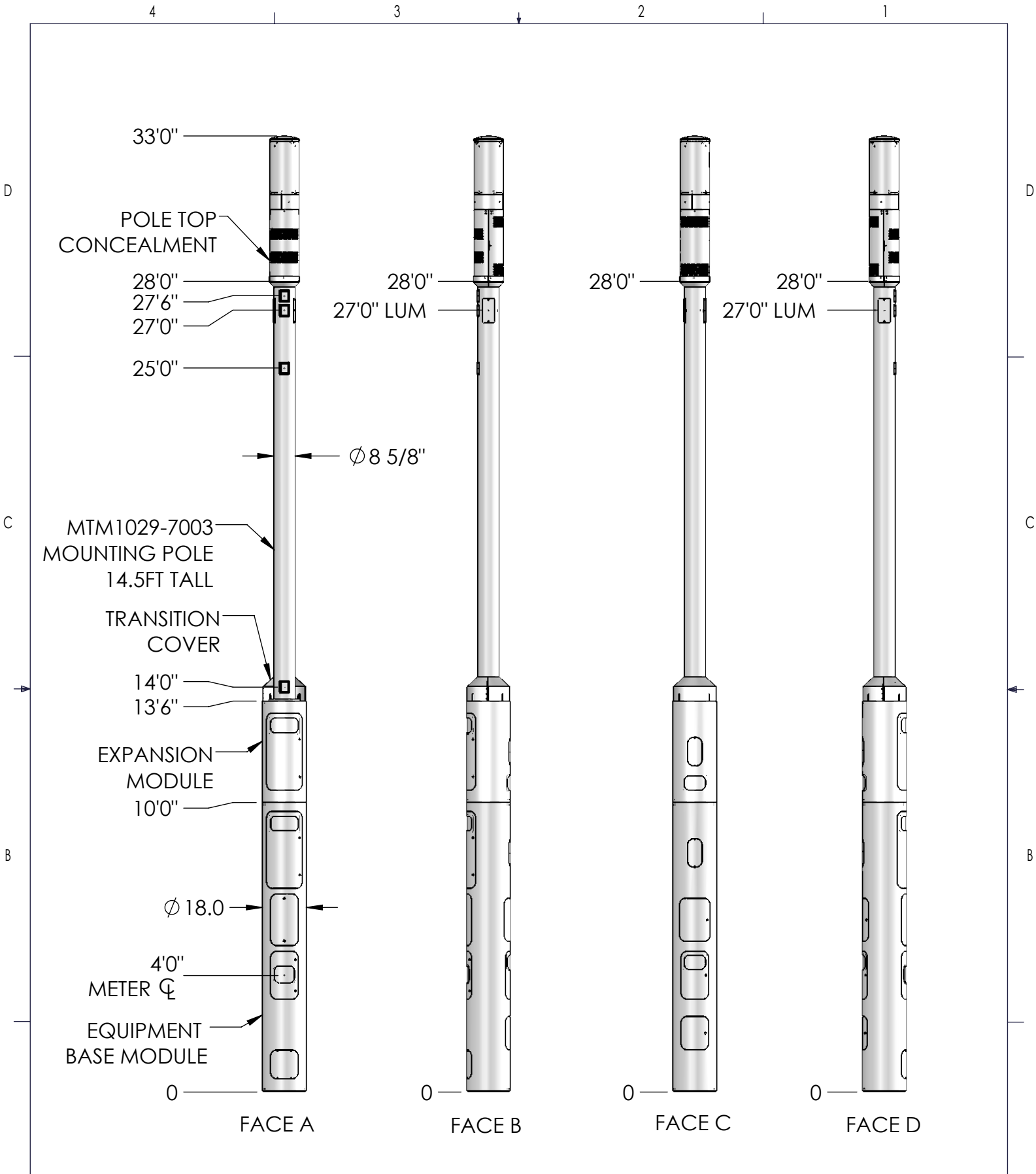
2

1

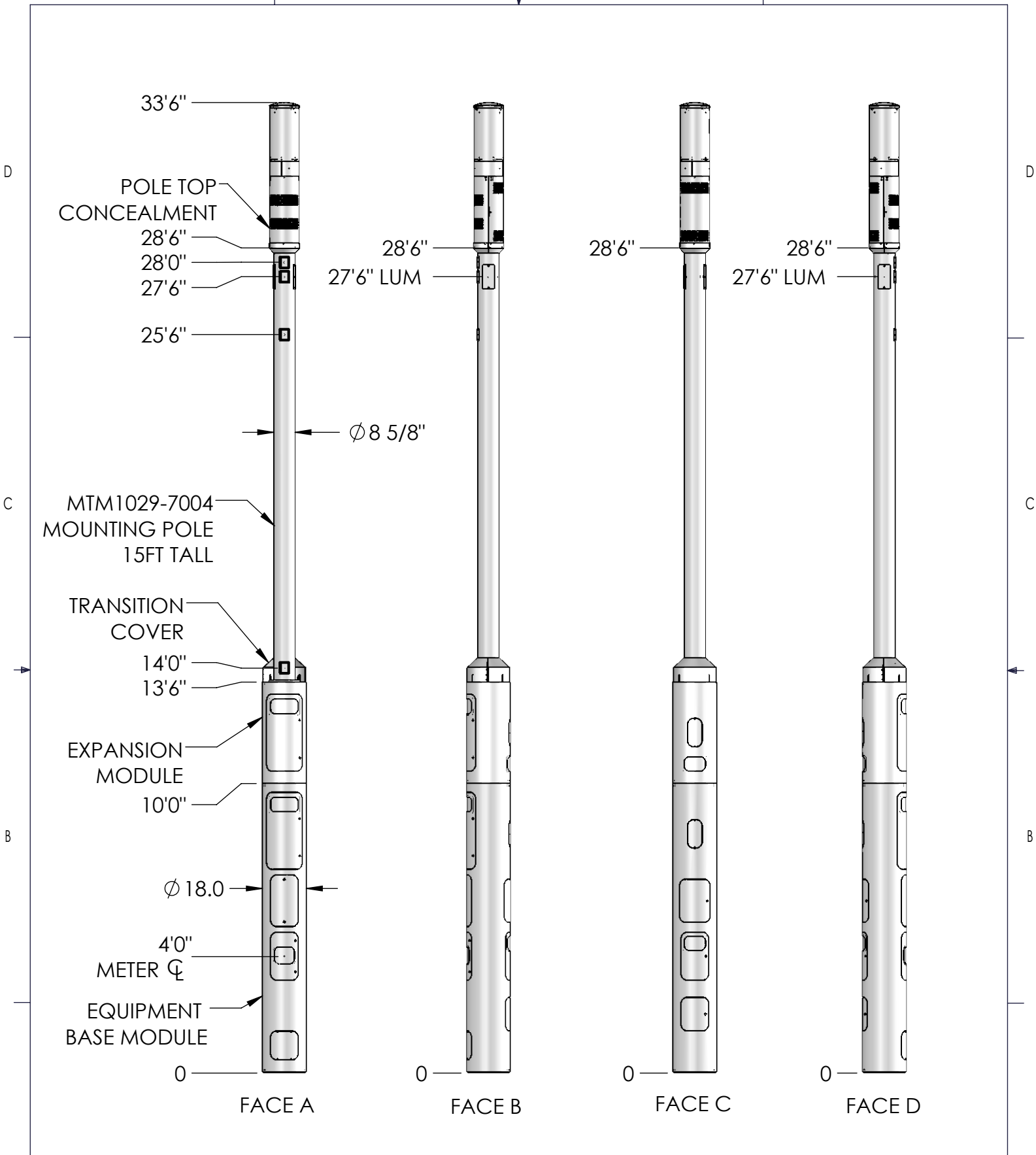


<p>These drawings and specifications are the proprietary property of CommScope Inc. and may be used only for the specific purpose authorized in writing by CommScope Inc.</p> <p>ALL DIMENSIONS ARE IN INCHES U.O.S. TOLERANCES UNLESS OTHERWISE SPECIFIED:</p> <p>.X = ± .12 ANGLES ±2° .XX = ± .06 FRACTIONS ±1/32 .XXX = ± .031</p> <p>REMOVE BURRS AND BREAK EDGES .005</p> <p>DO NOT SCALE THIS PRINT</p>	DRAWN BY: MJP	SHEET: 1 of 1	PART NUMBER: 760243184xx25xP
	CHECKED BY:	SCALE:	DESCRIPTION: METRO CELL, 18 IN INTEGRATED POLE SOLUTION
	DATE:	MATERIAL:	DRAWING TYPE:
	REVISION: A	FINISH:	WEIGHT:

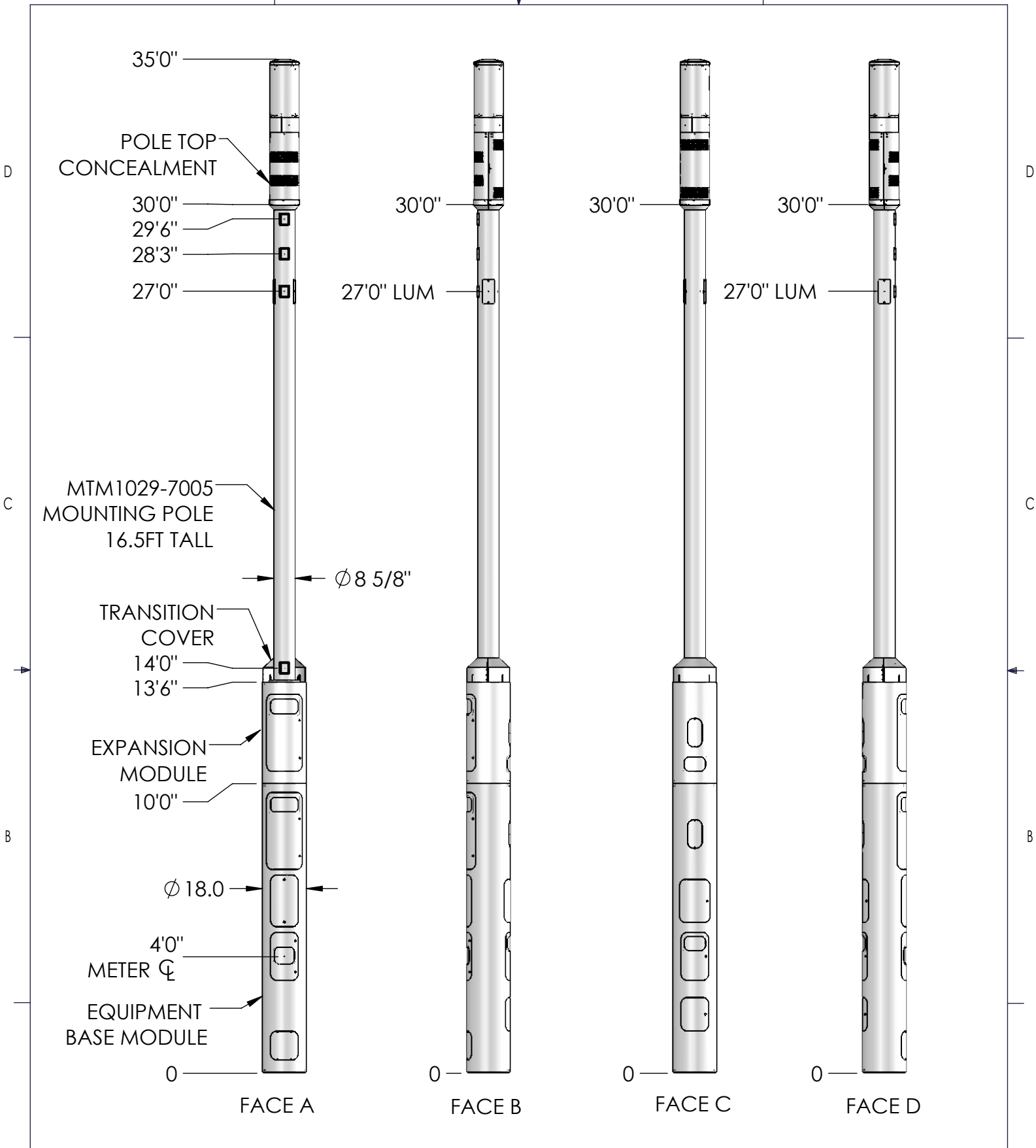
COMMScope®



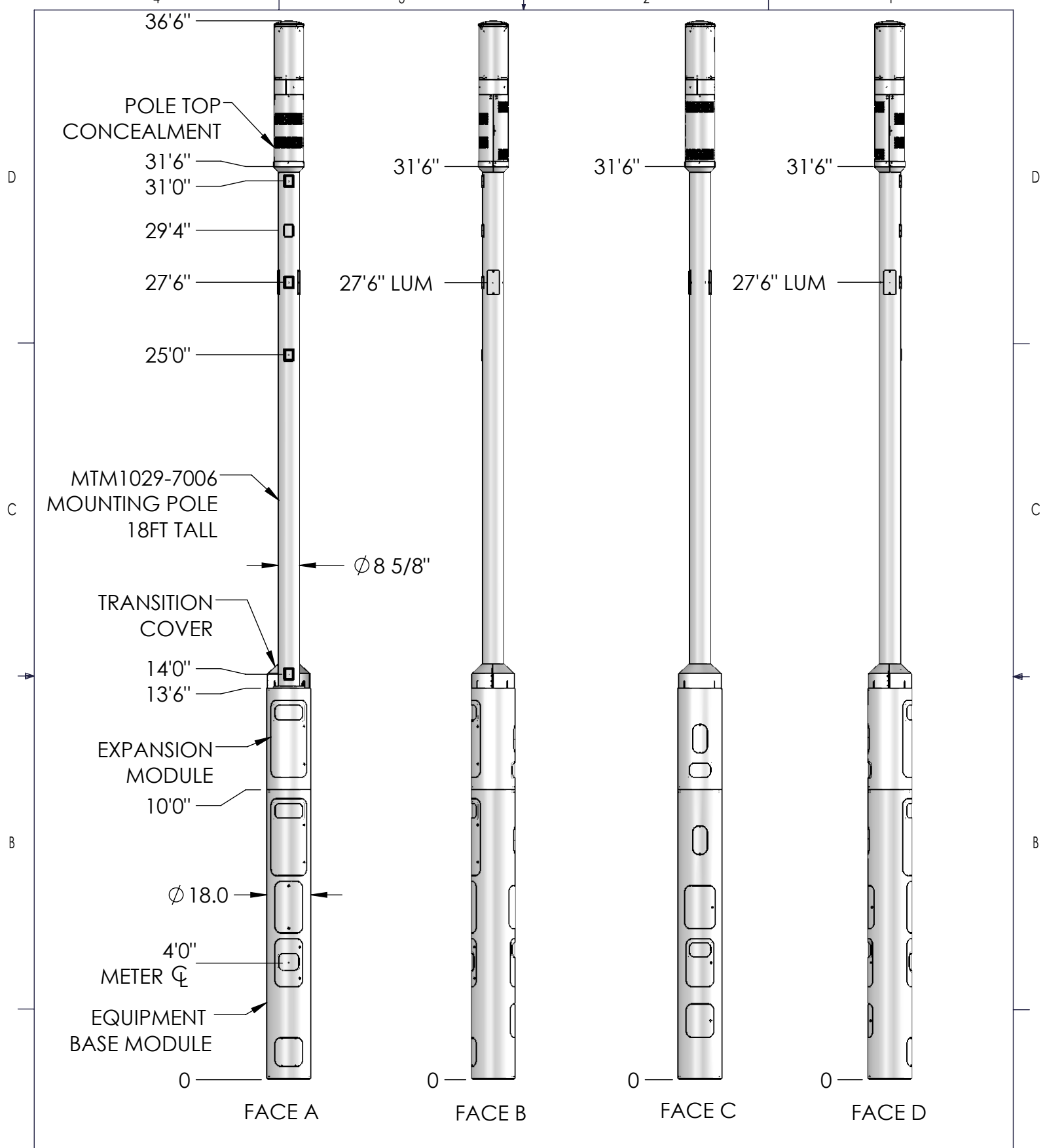
<p>These drawings and specifications are the proprietary property of CommScope Inc. and may be used only for the specific purpose authorized in writing by CommScope Inc.</p> <p>ALL DIMENSIONS ARE IN INCHES U.O.S. TOLERANCES UNLESS OTHERWISE SPECIFIED:</p> <p>.X = ± .12 ANGLES ±2° .XX = ± .06 FRACTIONS ±1/32 .XXX = ± .031</p> <p>REMOVE BURRS AND BREAK EDGES .005</p> <p>DO NOT SCALE THIS PRINT</p>	DRAWN BY: MJP	SHEET: 1 of 1	PART NUMBER: 760243184xx28xP
	CHECKED BY:	SCALE:	DESCRIPTION: METRO CELL, 18 IN INTEGRATED POLE SOLUTION
	DATE:	MATERIAL:	DRAWING TYPE:
	REVISION: A	FINISH:	
	WEIGHT:		



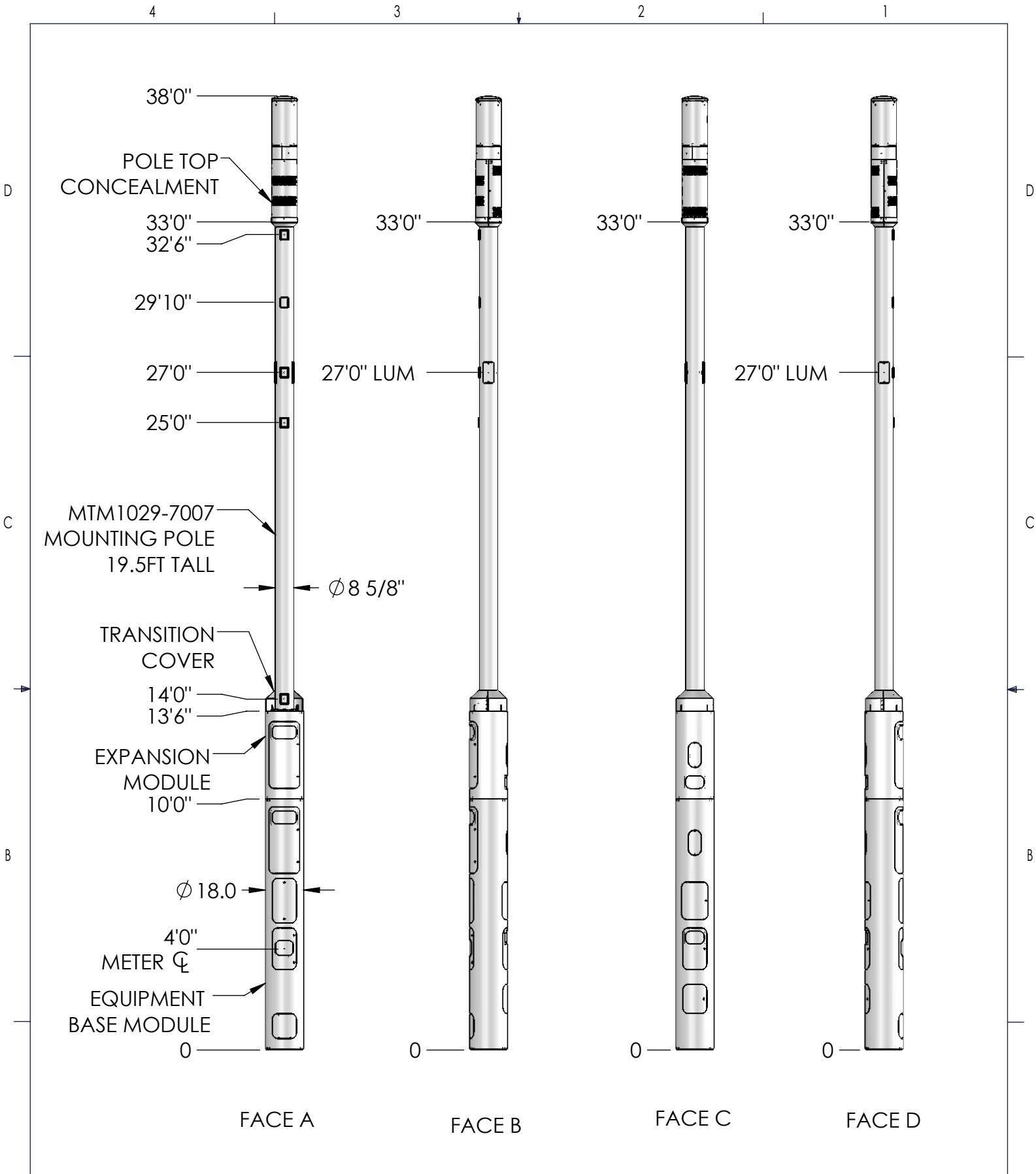
<p>These drawings and specifications are the proprietary property of Commscope Inc. and may be used only for the specific purpose authorized in writing by Commscope Inc.</p> <p>ALL DIMENSIONS ARE IN INCHES U.O.S. TOLERANCES UNLESS OTHERWISE SPECIFIED:</p> <p>.X = ± .12 ANGLES ±2° .XX = ± .06 FRACTIONS ±1/32 .XXX = ± .031</p> <p>REMOVE BURRS AND BREAK EDGES .005</p> <p>DO NOT SCALE THIS PRINT</p>	DRAWN BY: MJP	SHEET: 1 of 1	PART NUMBER: 760243184xx29xP
	CHECKED BY:	SCALE:	DESCRIPTION: METRO CELL, 18 IN INTEGRATED POLE SOLUTION
	DATE:	MATERIAL:	DRAWING TYPE:
	REVISION: A	FINISH:	
	WEIGHT:		



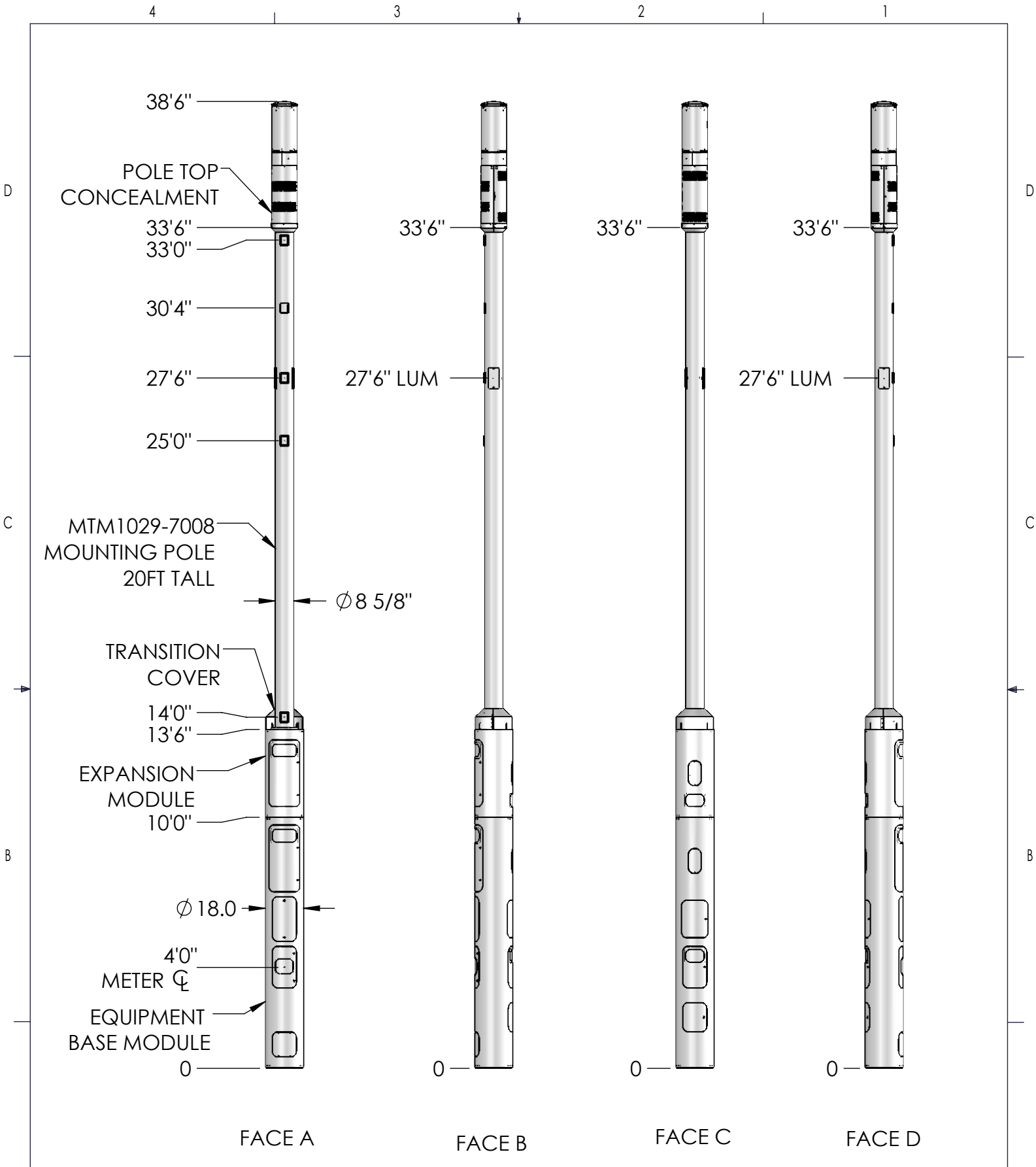
<p>These drawings and specifications are the proprietary property of CommScope Inc. and may be used only for the specific purpose authorized in writing by CommScope Inc.</p> <p>ALL DIMENSIONS ARE IN INCHES U.O.S. TOLERANCES UNLESS OTHERWISE SPECIFIED:</p> <p>.X = ± .12 ANGLES ±2° .XX = ± .06 FRACTIONS ±1/32 .XXX = ± .031</p> <p>REMOVE BURRS AND BREAK EDGES .005</p> <p>DO NOT SCALE THIS PRINT</p>	DRAWN BY: MJP	SHEET: 1 of 1	PART NUMBER: 760243184xx30xP
	CHECKED BY:	SCALE:	DESCRIPTION: METRO CELL, 18 IN INTEGRATED POLE SOLUTION
	DATE:	MATERIAL:	DRAWING TYPE:
	REVISION: A	FINISH:	
	WEIGHT:		



<p>These drawings and specifications are the proprietary property of CommScope Inc. and may be used only for the specific purpose authorized in writing by CommScope Inc.</p> <p>ALL DIMENSIONS ARE IN INCHES U.O.S. TOLERANCES UNLESS OTHERWISE SPECIFIED:</p> <p>.X = ± .12 ANGLES ±2° .XX = ± .06 FRACTIONS ±1/32 .XXX = ± .031</p> <p>REMOVE BURRS AND BREAK EDGES .005</p> <p>DO NOT SCALE THIS PRINT</p>	DRAWN BY: MJP	SHEET: 1 of 1	PART NUMBER: 760243184xx32xP
	CHECKED BY:	SCALE:	DESCRIPTION: METRO CELL, 18 IN INTEGRATED POLE SOLUTION
	DATE:	MATERIAL:	DRAWING TYPE:
	REVISION: A	FINISH:	
		WEIGHT:	

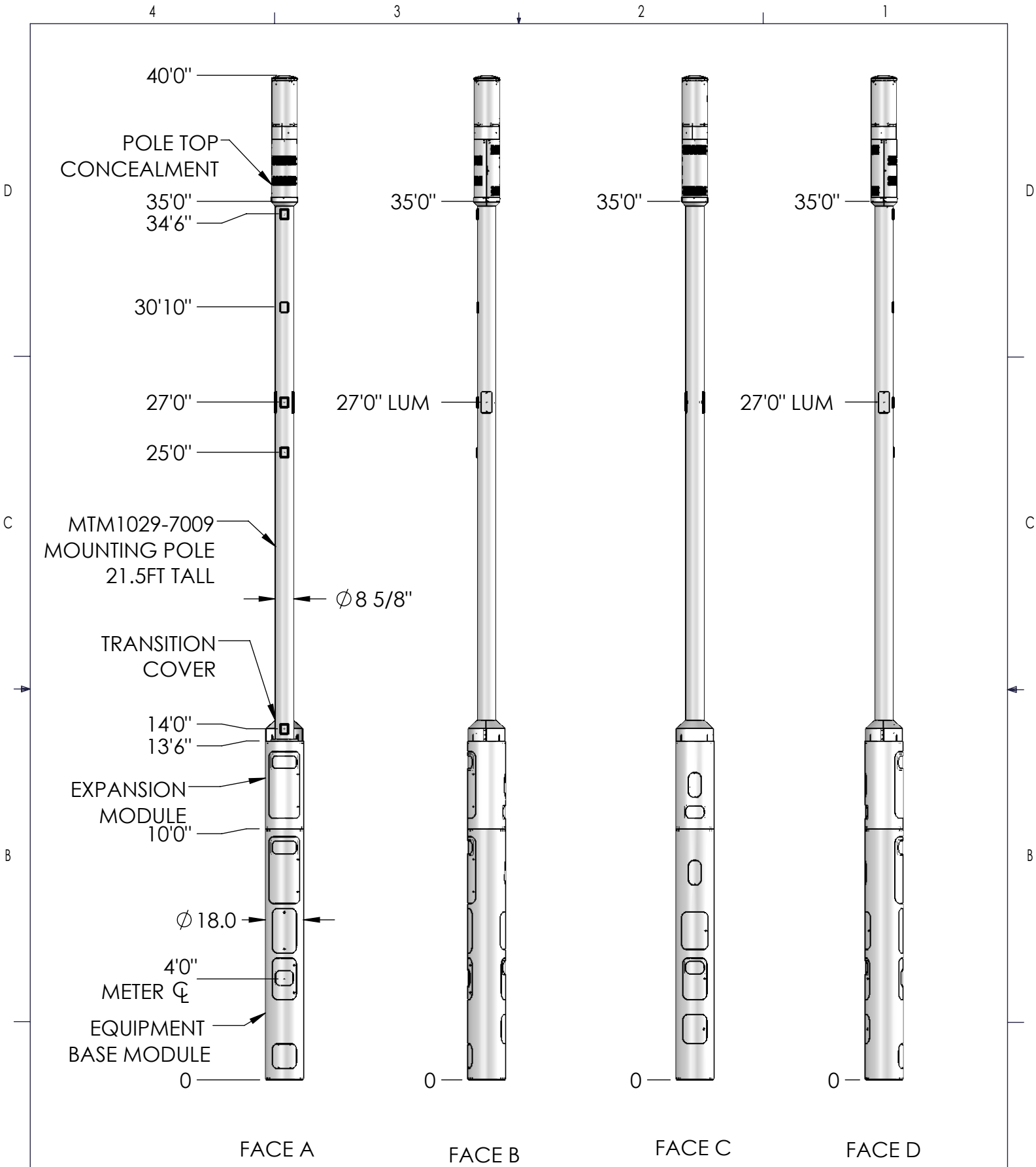


<p>These drawings and specifications are the proprietary property of CommScope Inc. and may be used only for the specific purpose authorized in writing by CommScope Inc.</p> <p>ALL DIMENSIONS ARE IN INCHES U.O.S. TOLERANCES UNLESS OTHERWISE SPECIFIED:</p> <p>.X = ± .12 ANGLES ±2° .XX = ± .06 FRACTIONS ±1/32 .XXX = ± .031</p> <p>REMOVE BURRS AND BREAK EDGES .005</p> <p>DO NOT SCALE THIS PRINT</p>	DRAWN BY: MJP	SHEET: 1 of 1	PART NUMBER: 760243184xx33xP
	CHECKED BY:	SCALE:	DESCRIPTION: METRO CELL, 18 IN INTEGRATED POLE SOLUTION
	DATE:	MATERIAL:	DRAWING TYPE:
	REVISION: A	FINISH:	
		WEIGHT:	



<p>These drawings and specifications are the proprietary property of CommScope Inc. and may be used only for the specific purpose authorized in writing by CommScope Inc.</p> <p>ALL DIMENSIONS ARE IN INCHES U.O.S. TOLERANCES UNLESS OTHERWISE SPECIFIED:</p> <p>.X = ± .12 ANGLES ±2° .XX = ± .06 FRACTIONS ±1/32 .XXX = ± .031</p> <p>REMOVE BURRS AND BREAK EDGES .005</p> <p>DO NOT SCALE THIS PRINT</p>	DRAWN BY: MJP	SHEET: 1 of 1	PART NUMBER: 760243184xx34xP
	CHECKED BY:	SCALE:	DESCRIPTION: METRO CELL, 18 IN INTEGRATED POLE SOLUTION
	DATE:	MATERIAL:	DRAWING TYPE:
	REVISION: A	FINISH:	WEIGHT:

COMMSCOPE®



<p>These drawings and specifications are the proprietary property of CommScope Inc. and may be used only for the specific purpose authorized in writing by CommScope Inc.</p> <p>ALL DIMENSIONS ARE IN INCHES U.O.S. TOLERANCES UNLESS OTHERWISE SPECIFIED:</p> <p>.X = ± .12 ANGLES ±2°</p> <p>.XX = ± .06 FRACTIONS ±1/32</p> <p>.XXX = ± .031</p> <p>REMOVE BURRS AND BREAK EDGES .005</p> <p>DO NOT SCALE THIS PRINT</p>	<p>DRAWN BY: MJP</p>	<p>SHEET: 1 of 1</p>	<p>PART NUMBER: 760243184xx35xP</p>
	<p>CHECKED BY:</p>	<p>SCALE:</p>	<p>DESCRIPTION: METRO CELL, 18 IN INTEGRATED POLE SOLUTION</p>
	<p>DATE:</p>	<p>MATERIAL:</p>	<p>DRAWING TYPE:</p>
	<p>REVISION: A</p>	<p>FINISH:</p>	<p>WEIGHT:</p>

4

3

2

1

D

D

C

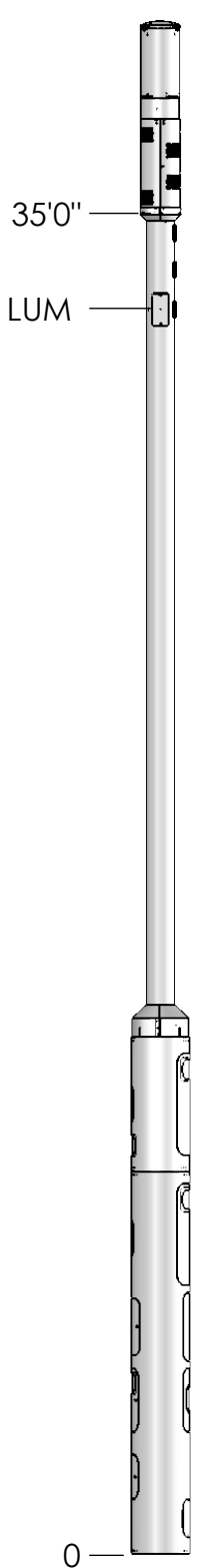
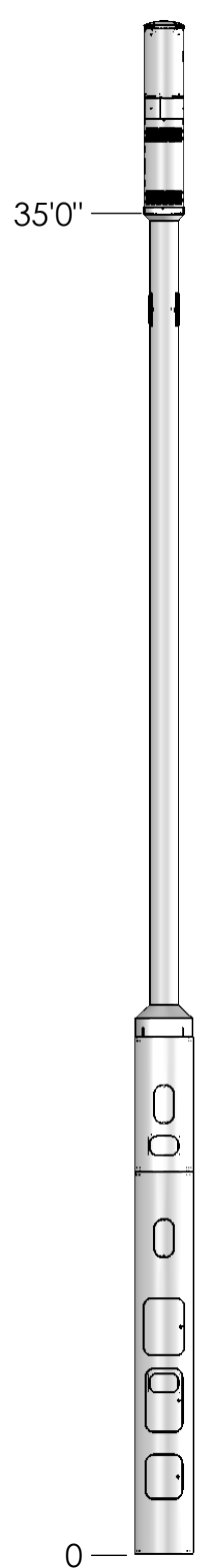
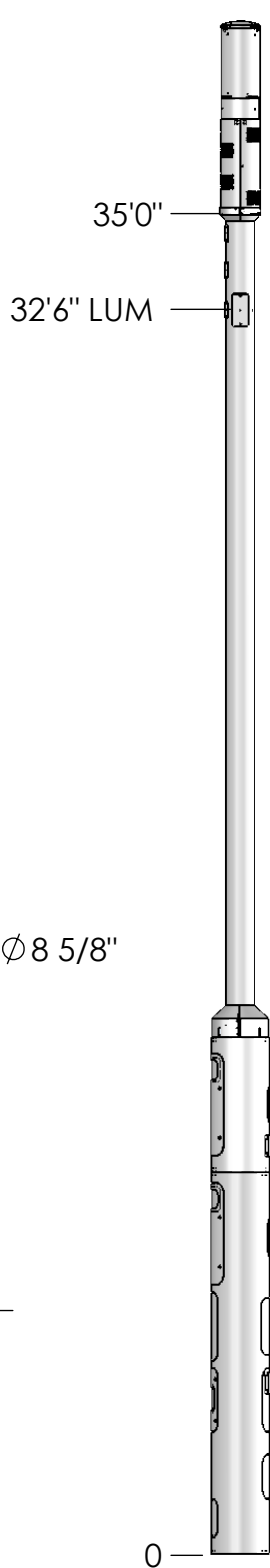
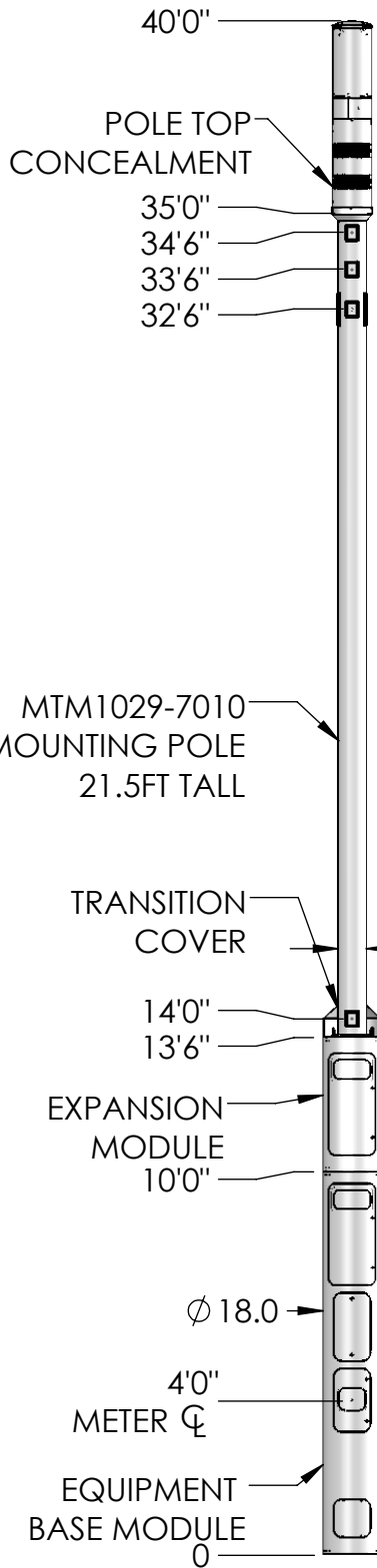
C

B

B

A

A



FACE A

FACE B

FACE C

FACE D

These drawings and specifications are the proprietary property of CommScope Inc. and may be used only for the specific purpose authorized in writing by CommScope Inc.

DRAWN BY: MJP
 SHEET: 1 of 1

PART NUMBER: 760243184xx35xP

CHECKED BY:

DESCRIPTION: METRO CELL, 18 IN INTEGRATED POLE SOLUTION

DATE:

MATERIAL:

REVISION: A

FINISH:

DO NOT SCALE THIS PRINT

WEIGHT:

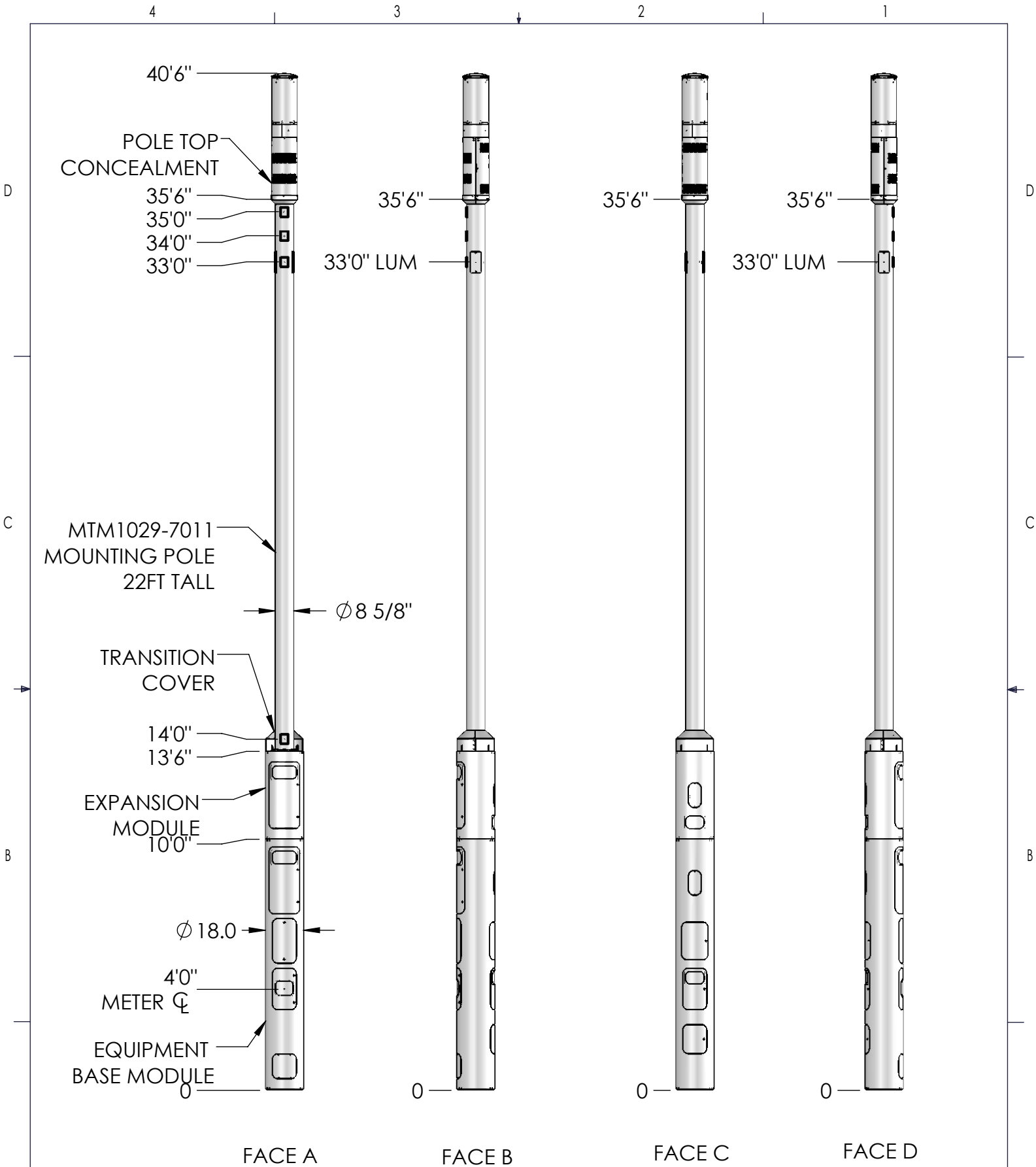


4

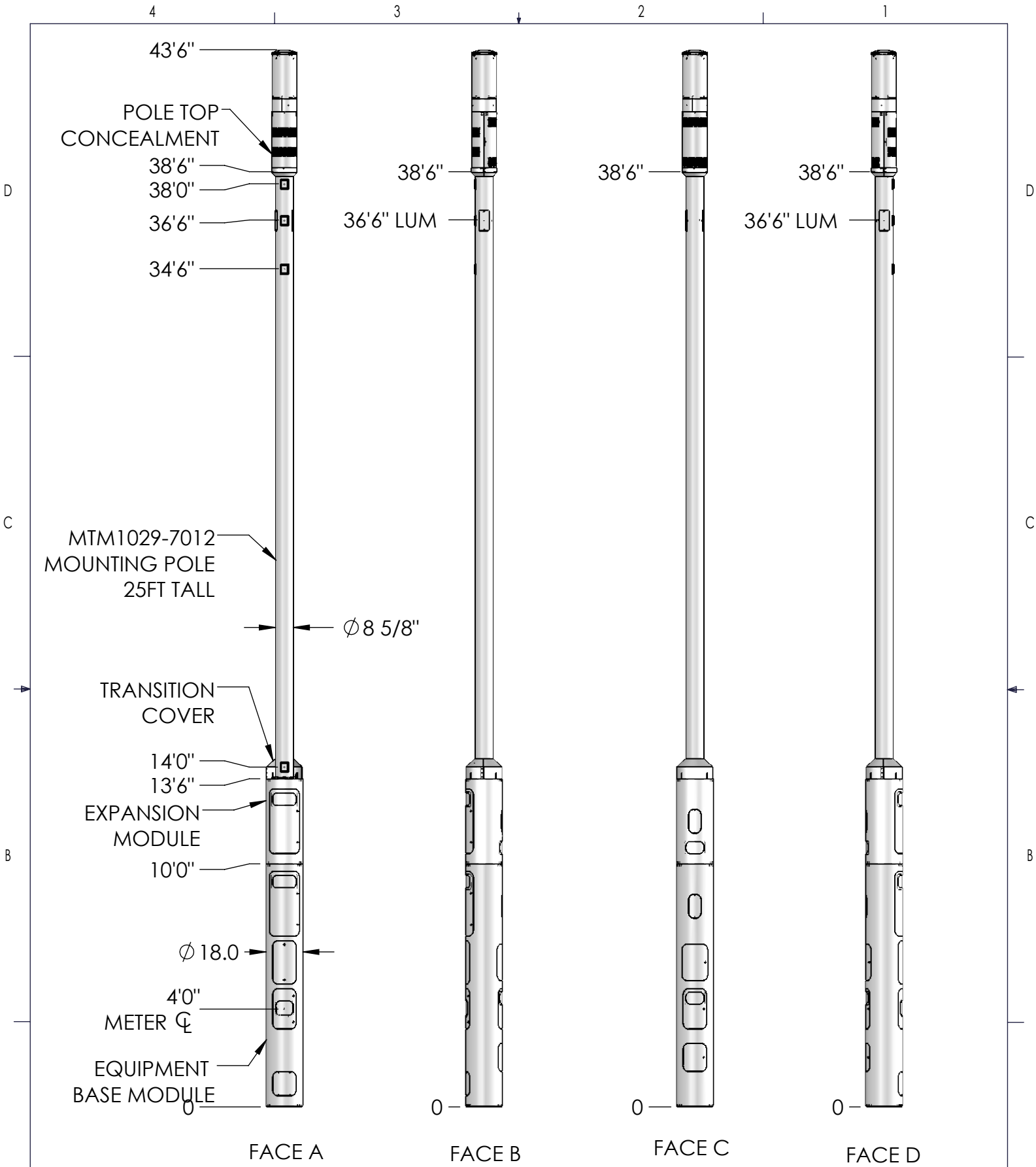
3


2

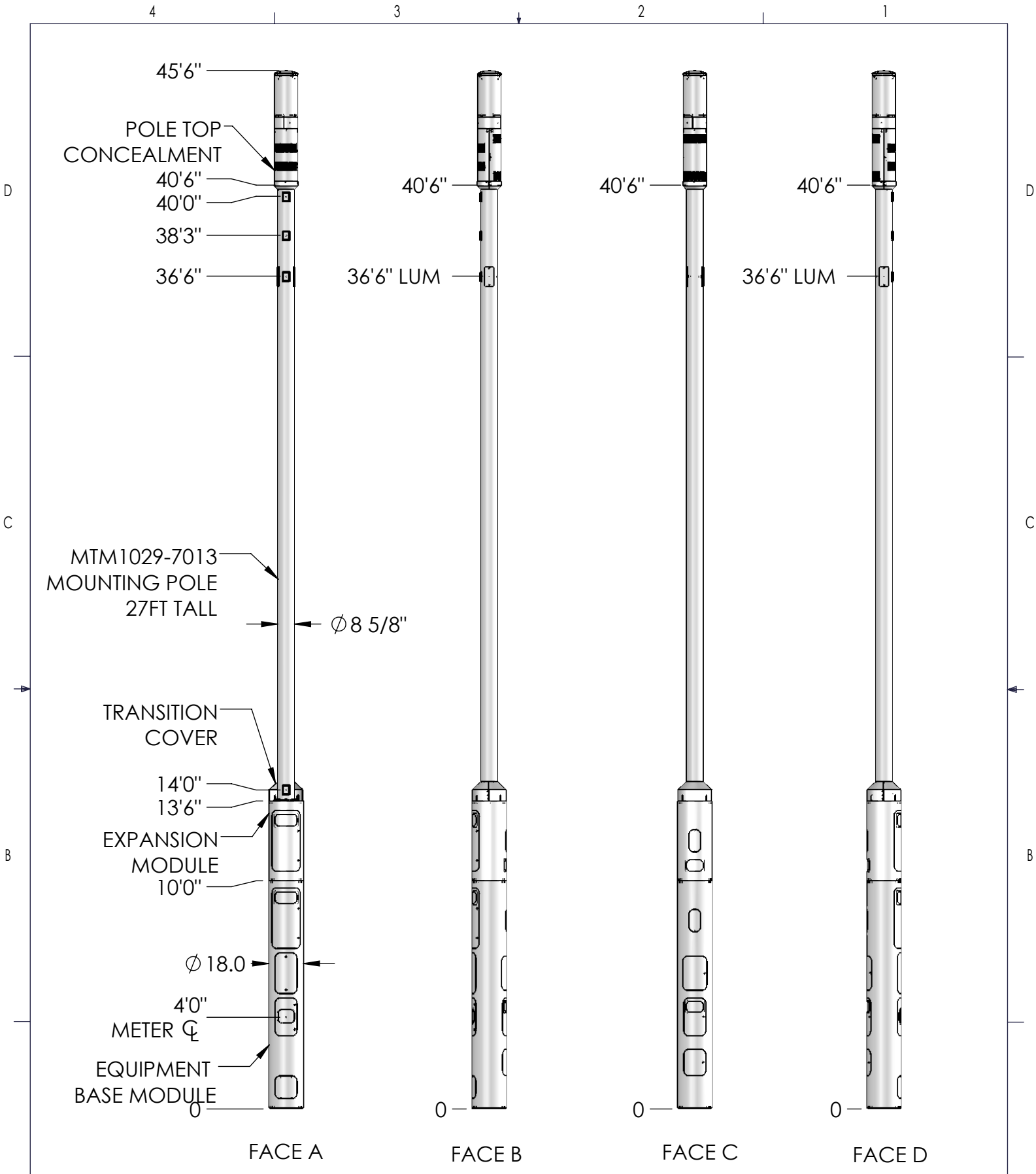
1



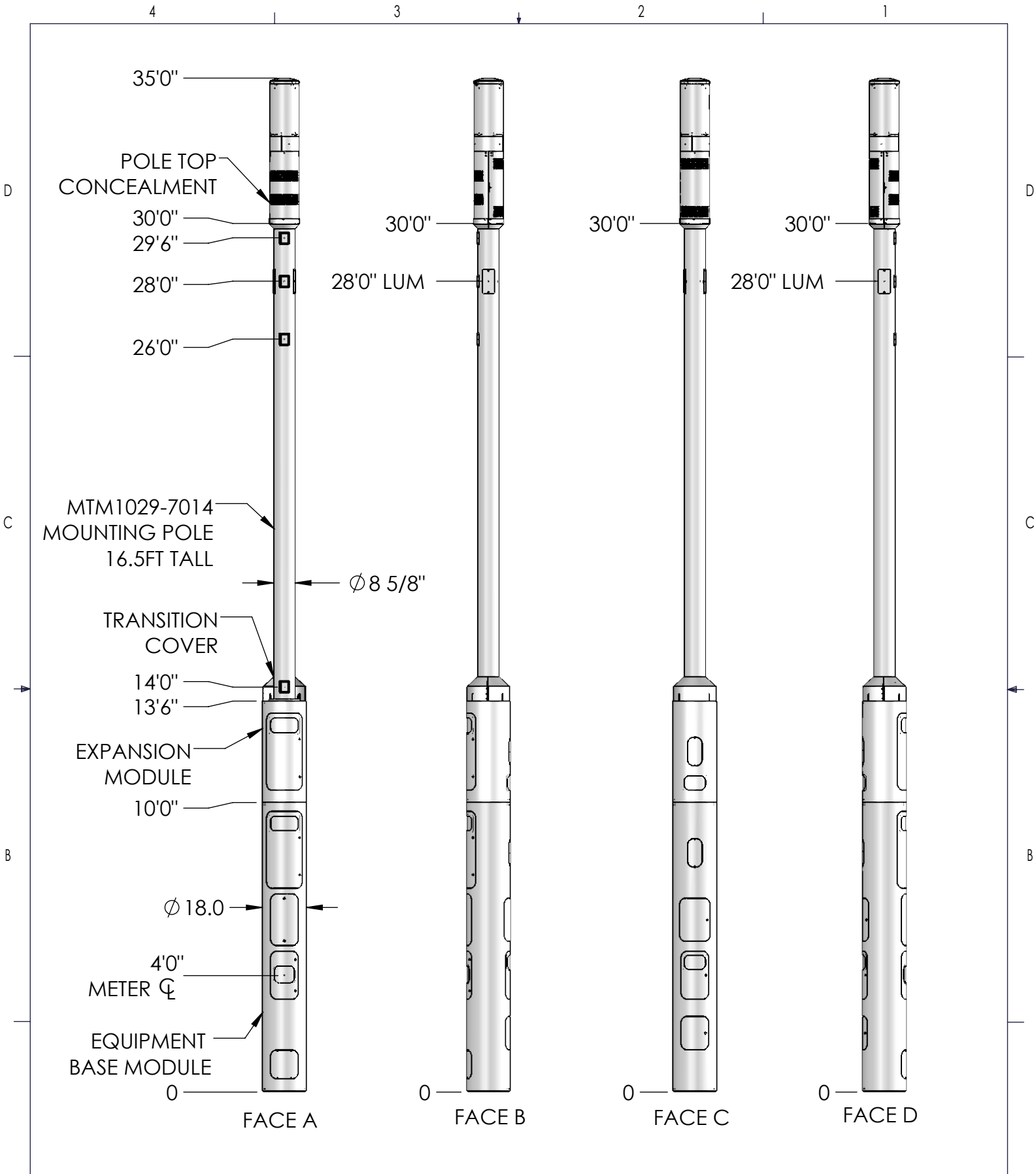
<p>These drawings and specifications are the proprietary property of CommScope Inc. and may be used only for the specific purpose authorized in writing by CommScope Inc.</p> <p>ALL DIMENSIONS ARE IN INCHES U.O.S. TOLERANCES UNLESS OTHERWISE SPECIFIED:</p> <p>.X = ± .12 ANGLES ±2° .XX = ± .06 FRACTIONS ±1/32 .XXX = ± .031</p> <p>REMOVE BURRS AND BREAK EDGES .005</p> <p>DO NOT SCALE THIS PRINT</p>	DRAWN BY: MJP	SHEET: 1 of 1	PART NUMBER: 760243184xx36xP
	CHECKED BY:	SCALE:	DESCRIPTION: METRO CELL, 18 IN INTEGRATED POLE SOLUTION
	DATE:	MATERIAL:	DRAWING TYPE:
	REVISION: A	FINISH:	WEIGHT:



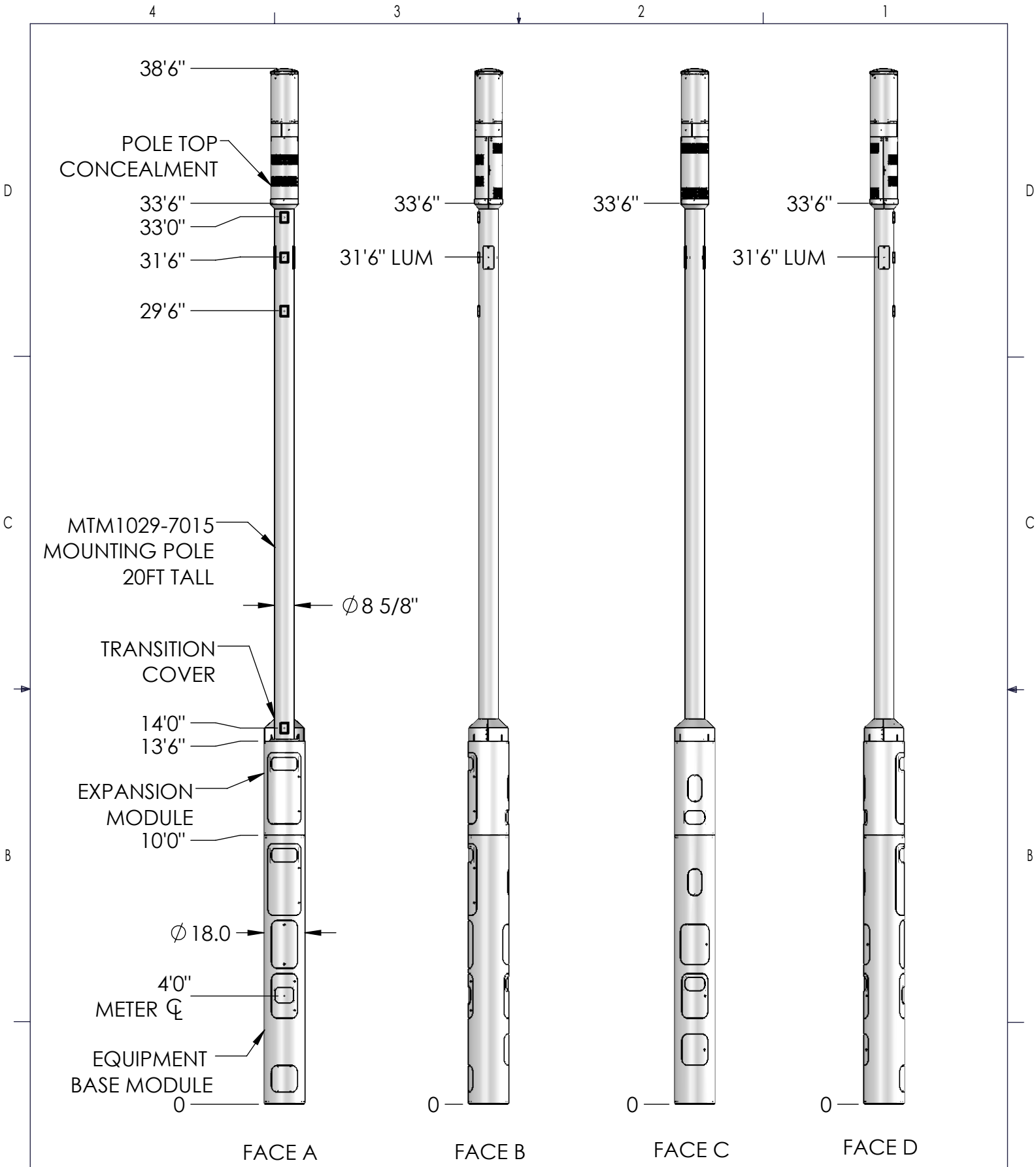
<p>These drawings and specifications are the proprietary property of CommScope Inc. and may be used only for the specific purpose authorized in writing by CommScope Inc.</p> <p>ALL DIMENSIONS ARE IN INCHES U.O.S. TOLERANCES UNLESS OTHERWISE SPECIFIED:</p> <table border="0"> <tr> <td>.X = ±</td> <td>.12</td> <td>ANGLES</td> <td>±2°</td> </tr> <tr> <td>.XX = ±</td> <td>.06</td> <td>FRACTIONS</td> <td>±1/32</td> </tr> <tr> <td>.XXX = ±</td> <td>.031</td> <td></td> <td></td> </tr> </table> <p>REMOVE BURRS AND BREAK EDGES .005</p> <p>DO NOT SCALE THIS PRINT</p>	.X = ±	.12	ANGLES	±2°	.XX = ±	.06	FRACTIONS	±1/32	.XXX = ±	.031			DRAWN BY: MJP	SHEET: 1 of 1	PART NUMBER: 760243184xx39xP
	.X = ±	.12	ANGLES	±2°											
	.XX = ±	.06	FRACTIONS	±1/32											
	.XXX = ±	.031													
CHECKED BY:	SCALE:	DESCRIPTION: METRO CELL, 18 IN INTEGRATED POLE SOLUTION													
DATE:	MATERIAL:	DRAWING TYPE:													
REVISION: A	FINISH:														



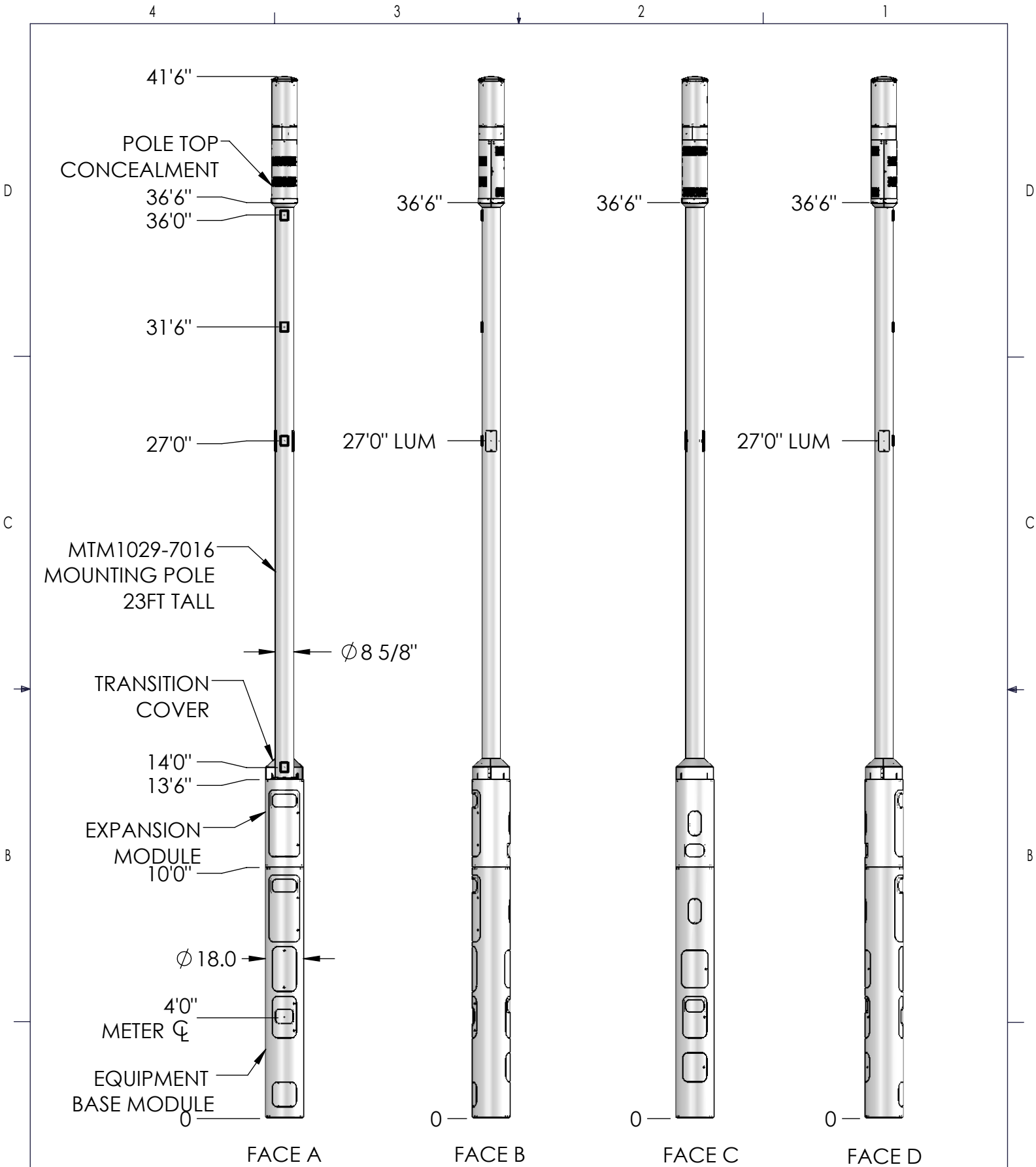
<p>These drawings and specifications are the proprietary property of CommScope Inc. and may be used only for the specific purpose authorized in writing by CommScope Inc.</p> <p>ALL DIMENSIONS ARE IN INCHES U.O.S. TOLERANCES UNLESS OTHERWISE SPECIFIED:</p> <p>.X = ± .12 ANGLES ±2° .XX = ± .06 FRACTIONS ±1/32 .XXX = ± .031</p> <p>REMOVE BURRS AND BREAK EDGES .005</p> <p>DO NOT SCALE THIS PRINT</p>	DRAWN BY: MJP	SHEET: 1 of 1	PART NUMBER: 760243184xx41xP
	CHECKED BY:	SCALE:	DESCRIPTION: METRO CELL, 18 IN INTEGRATED POLE SOLUTION
	DATE:	MATERIAL:	DRAWING TYPE:
	REVISION: A	FINISH:	WEIGHT:



<p>These drawings and specifications are the proprietary property of CommScope Inc. and may be used only for the specific purpose authorized in writing by CommScope Inc.</p> <p>ALL DIMENSIONS ARE IN INCHES U.O.S. TOLERANCES UNLESS OTHERWISE SPECIFIED:</p> <p>.X = ± .12 ANGLES ±2° .XX = ± .06 FRACTIONS ±1/32 .XXX = ± .031</p> <p>REMOVE BURRS AND BREAK EDGES .005</p> <p>DO NOT SCALE THIS PRINT</p>	DRAWN BY: MJP	SHEET: 1 of 1	PART NUMBER: 760243184xx30xP
	CHECKED BY:	SCALE:	DESCRIPTION: METRO CELL, 18 IN INTEGRATED POLE SOLUTION
	DATE:	MATERIAL:	DRAWING TYPE:
	REVISION: A	FINISH:	
	WEIGHT:		

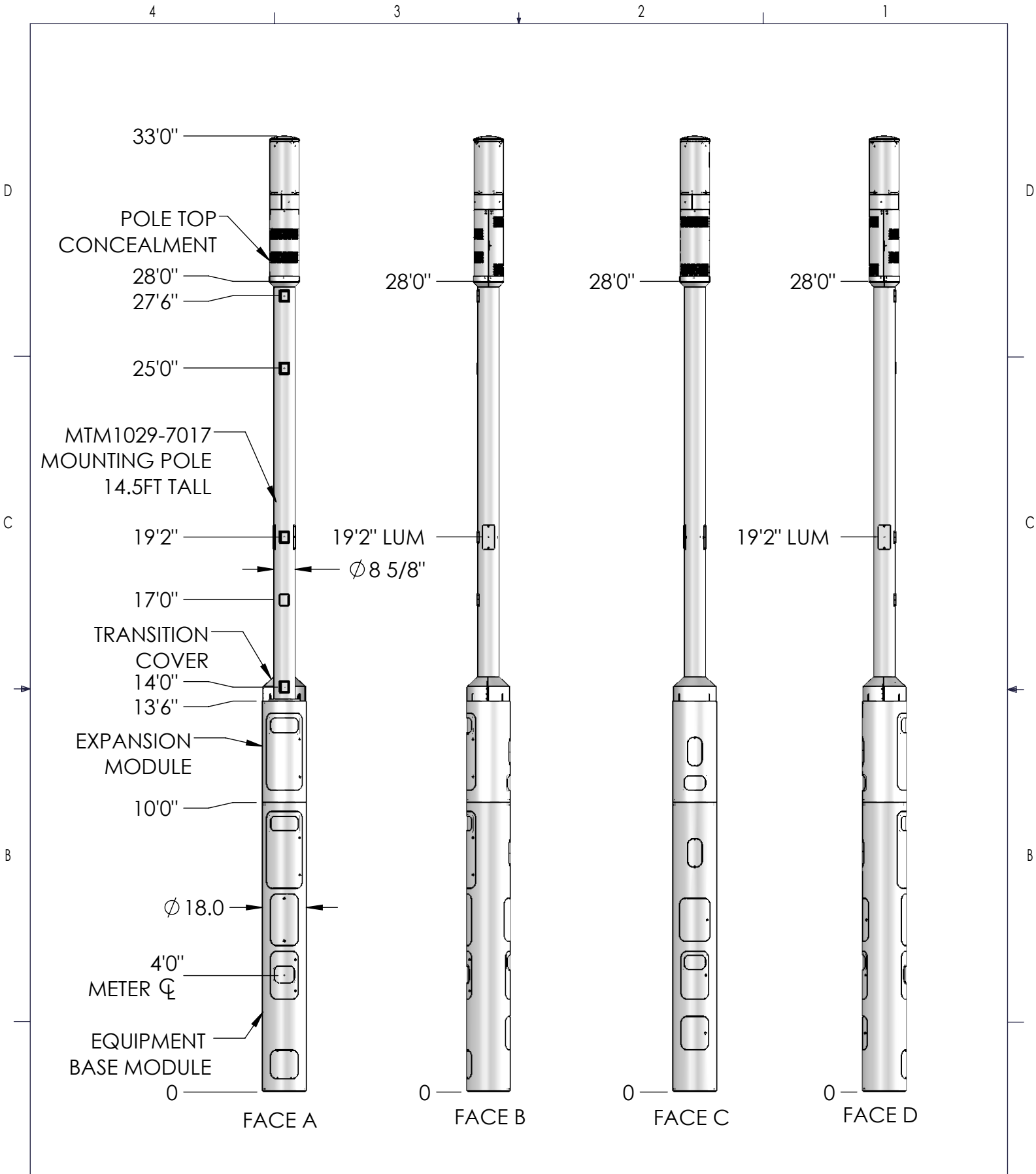


<p>These drawings and specifications are the proprietary property of CommScope Inc. and may be used only for the specific purpose authorized in writing by CommScope Inc.</p> <p>ALL DIMENSIONS ARE IN INCHES U.O.S. TOLERANCES UNLESS OTHERWISE SPECIFIED:</p> <p>.X = ± .12 ANGLES ±2° .XX = ± .06 FRACTIONS ±1/32 .XXX = ± .031</p> <p>REMOVE BURRS AND BREAK EDGES .005</p> <p>DO NOT SCALE THIS PRINT</p>	DRAWN BY: MJP	SHEET: 1 of 1	PART NUMBER: 760243184xx34xP
	CHECKED BY:	SCALE:	DESCRIPTION: METRO CELL, 18 IN INTEGRATED POLE SOLUTION
	DATE:	MATERIAL:	DRAWING TYPE:
	REVISION: A	FINISH:	
	WEIGHT:		



<p>These drawings and specifications are the proprietary property of Commscope Inc. and may be used only for the specific purpose authorized in writing by Commscope Inc.</p> <p>ALL DIMENSIONS ARE IN INCHES U.O.S. TOLERANCES UNLESS OTHERWISE SPECIFIED:</p> <p>.X = ± .12 ANGLES ±2° .XX = ± .06 FRACTIONS ±1/32 .XXX = ± .031</p> <p>REMOVE BURRS AND BREAK EDGES .005</p> <p>DO NOT SCALE THIS PRINT</p>	DRAWN BY: MJP	SHEET: 1 of 1	PART NUMBER: 760243184xx37xP
	CHECKED BY:	SCALE:	DESCRIPTION: METRO CELL, 18 IN INTEGRATED POLE SOLUTION
	DATE:	MATERIAL:	DRAWING TYPE:
	REVISION: A	FINISH:	WEIGHT:

COMMSCOPE®



These drawings and specifications are the proprietary property of Commscope Inc. and may be used only for the specific purpose authorized in writing by Commscope Inc.

DRAWN BY:

MJP

SHEET:

1 of 1

PART NUMBER:

760243184xx28xP

CHECKED BY:

SCALE:

DESCRIPTION:

METRO CELL, 18 IN INTEGRATED POLE SOLUTION

DATE:

MATERIAL:

DRAWING TYPE:

REVISION:

A

FINISH:

WEIGHT:

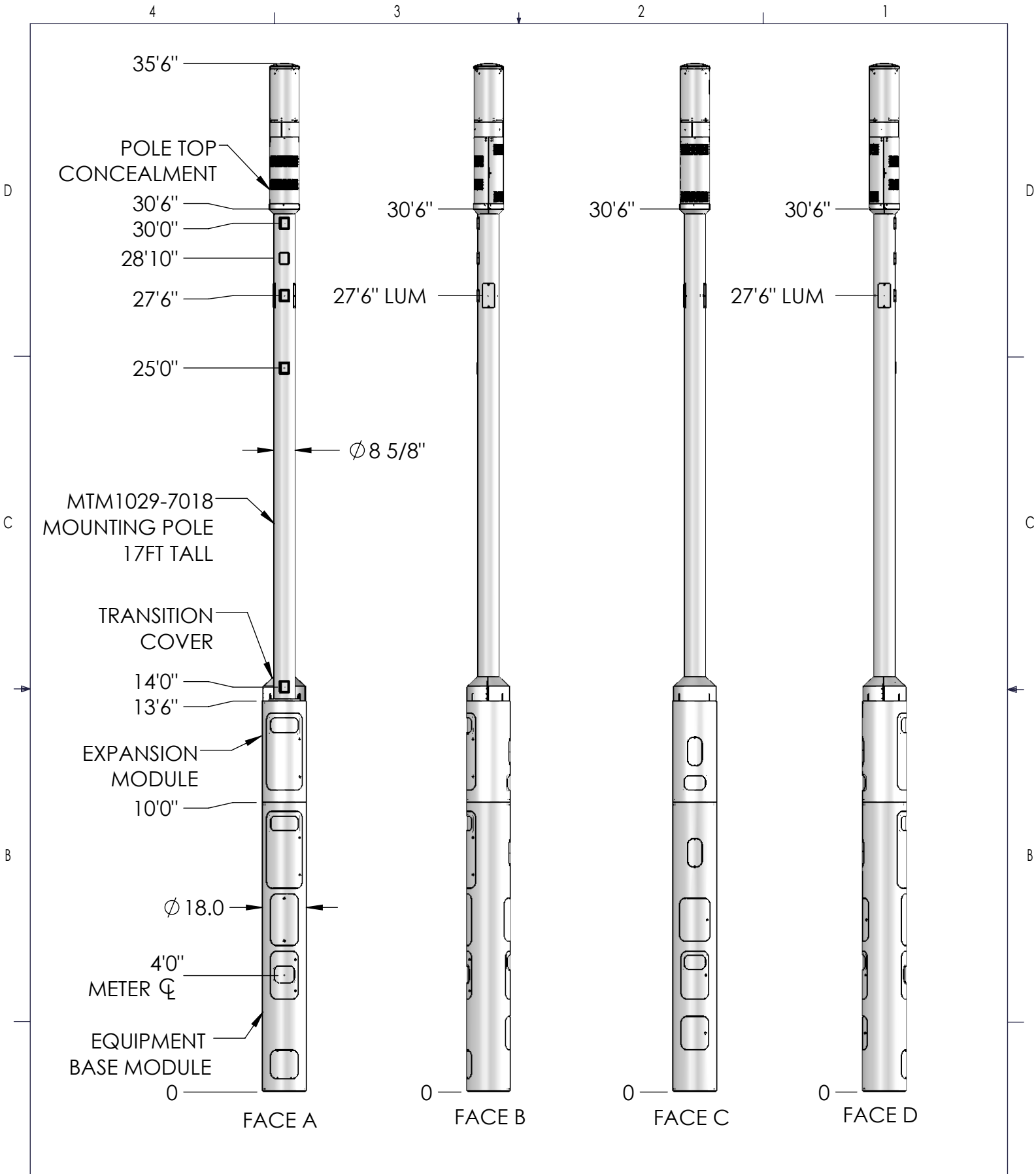
COMMSCOPE®

ALL DIMENSIONS ARE IN INCHES U.O.S.
TOLERANCES UNLESS OTHERWISE SPECIFIED:

.X = ±	.12	ANGLES	±2°
.XX = ±	.06	FRACTIONS	±1/32
.XXX = ±	.031		

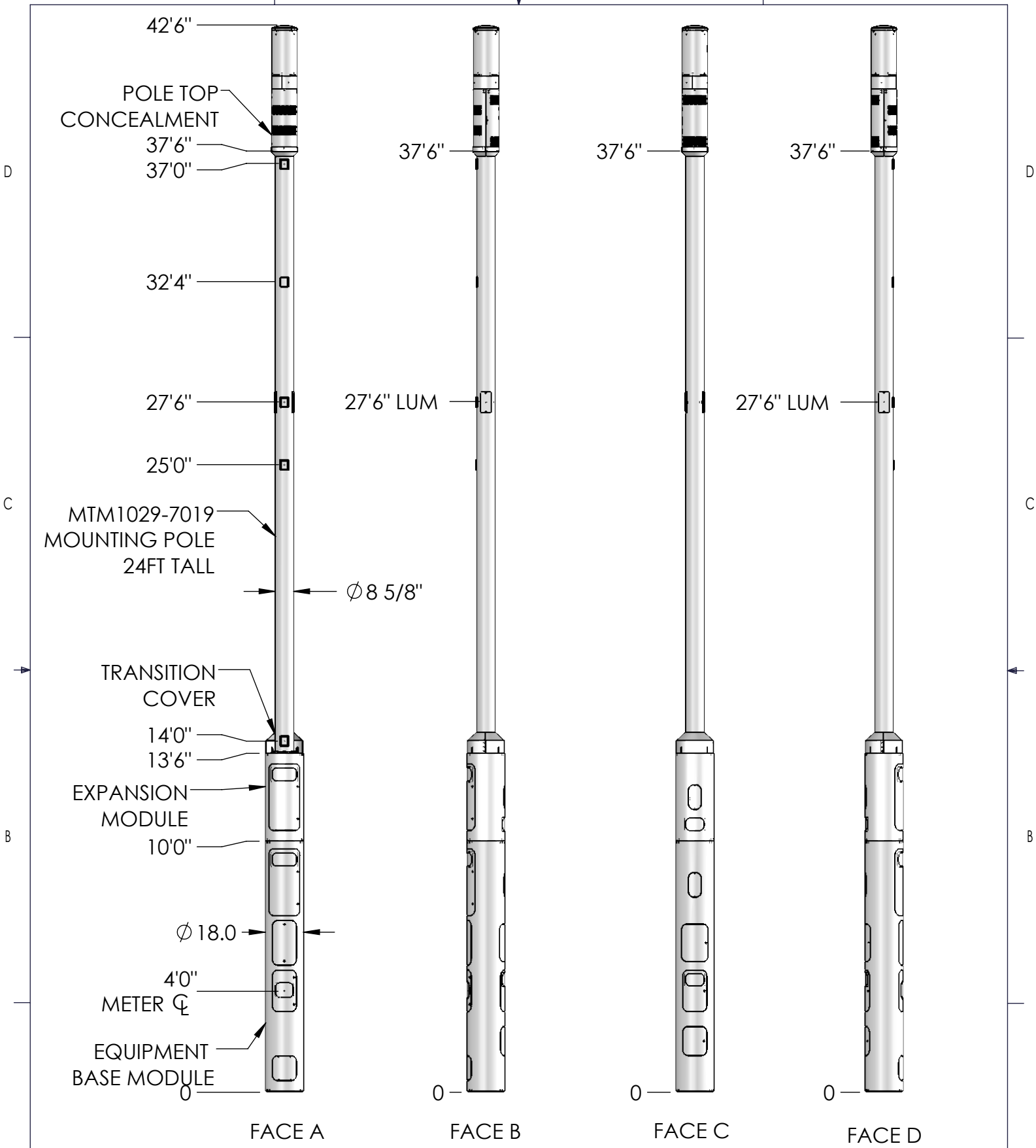
REMOVE BURRS AND BREAK EDGES .005

DO NOT SCALE THIS PRINT



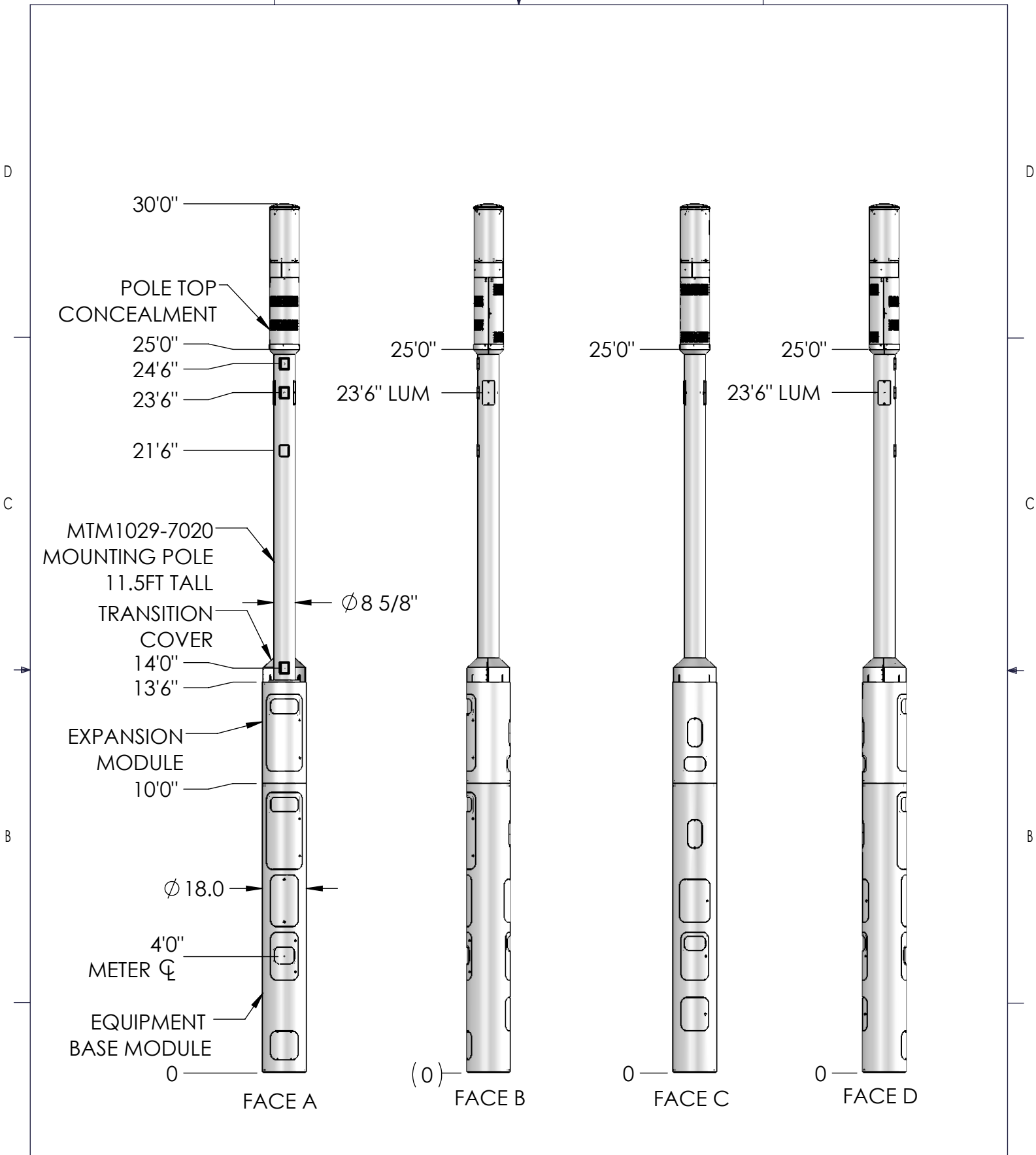
<p>These drawings and specifications are the proprietary property of CommScope Inc. and may be used only for the specific purpose authorized in writing by CommScope Inc.</p> <p>ALL DIMENSIONS ARE IN INCHES U.O.S. TOLERANCES UNLESS OTHERWISE SPECIFIED:</p> <p>.X = ± .12 ANGLES ±2° .XX = ± .06 FRACTIONS ±1/32 .XXX = ± .031</p> <p>REMOVE BURRS AND BREAK EDGES .005</p> <p>DO NOT SCALE THIS PRINT</p>	<p>DRAWN BY: MJP</p>	<p>SHEET: 1 of 1</p>	<p>PART NUMBER: 760243184xx31xP</p>
	<p>CHECKED BY:</p>	<p>SCALE:</p>	<p>DESCRIPTION: METRO CELL, 18 IN INTEGRATED POLE SOLUTION</p>
	<p>DATE:</p>	<p>MATERIAL:</p>	<p>DRAWING TYPE:</p>
	<p>REVISION: A</p>	<p>FINISH:</p>	<p>WEIGHT:</p>

COMMSCOPE®



<p>These drawings and specifications are the proprietary property of CommScope Inc. and may be used only for the specific purpose authorized in writing by CommScope Inc.</p> <p>ALL DIMENSIONS ARE IN INCHES U.O.S. TOLERANCES UNLESS OTHERWISE SPECIFIED:</p> <p>.X = ± .12 ANGLES ±2° .XX = ± .06 FRACTIONS ±1/32 .XXX = ± .031</p> <p>REMOVE BURRS AND BREAK EDGES .005</p> <p>DO NOT SCALE THIS PRINT</p>	DRAWN BY: MJP	SHEET: 1 of 1	PART NUMBER: 760243184xx38xP
	CHECKED BY:	SCALE:	DESCRIPTION: METRO CELL, 18 IN INTEGRATED POLE SOLUTION
	DATE:	MATERIAL:	DRAWING TYPE:
	REVISION: A	FINISH:	WEIGHT:

COMMSCOPE®



<p>These drawings and specifications are the proprietary property of CommScope Inc. and may be used only for the specific purpose authorized in writing by CommScope Inc.</p> <p>ALL DIMENSIONS ARE IN INCHES U.O.S. TOLERANCES UNLESS OTHERWISE SPECIFIED:</p> <p>.X = ± .12 ANGLES ±2° .XX = ± .06 FRACTIONS ±1/32 .XXX = ± .031</p> <p>REMOVE BURRS AND BREAK EDGES .005</p> <p>DO NOT SCALE THIS PRINT</p>	<p>DRAWN BY: MJP</p>	<p>SHEET: 1 of 1</p>	<p>PART NUMBER: 760243184xx25xP</p>
	<p>CHECKED BY:</p>	<p>SCALE:</p>	<p>DESCRIPTION: METRO CELL, 18 IN INTEGRATED POLE SOLUTION</p>
	<p>DATE:</p>	<p>MATERIAL:</p>	<p>DRAWING TYPE:</p>
	<p>REVISION: A</p>	<p>FINISH:</p>	<p>COMMScope®</p>
		<p>WEIGHT:</p>	

4

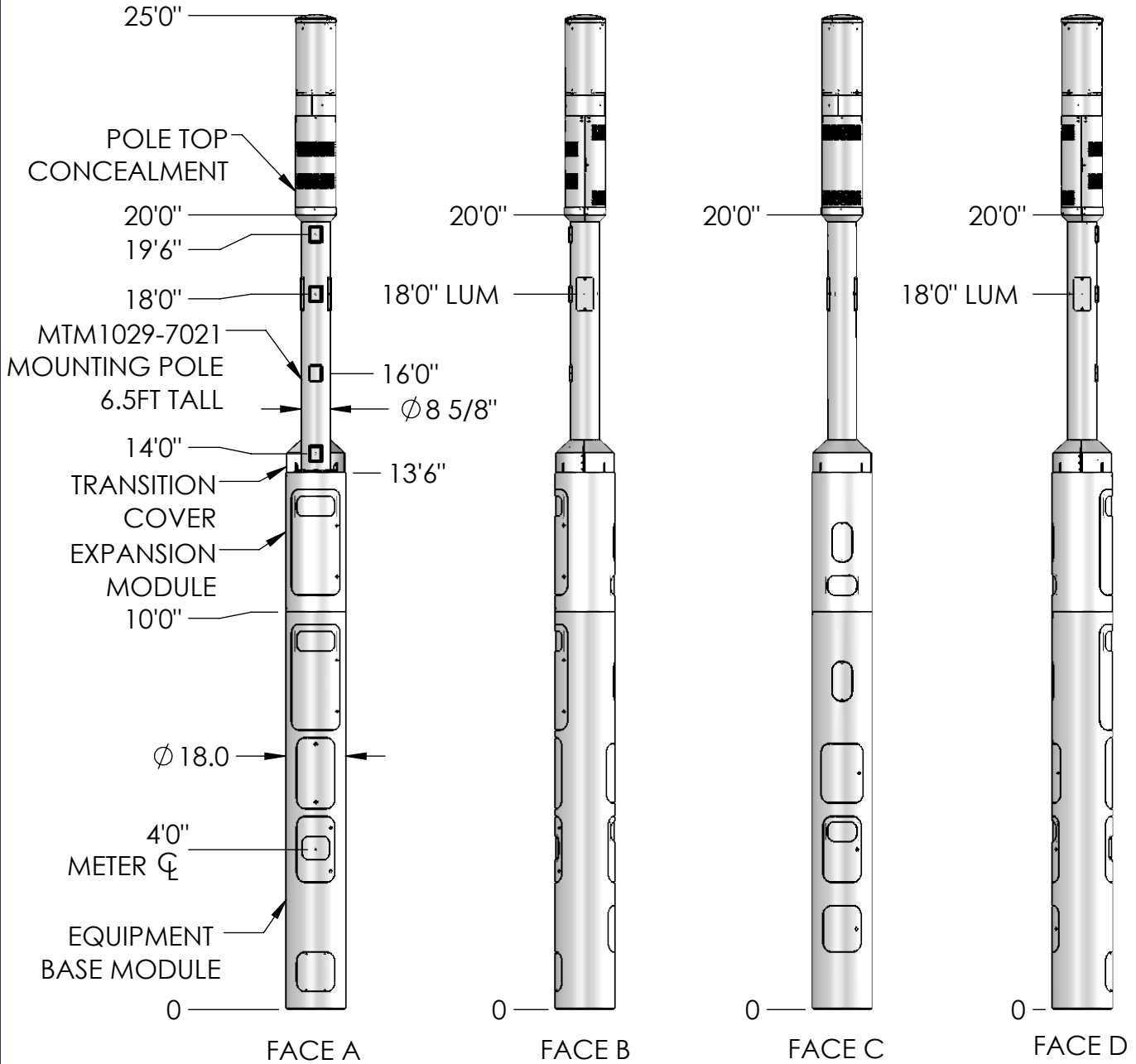
3

2

1

D

D



C

C

B

B

A

A

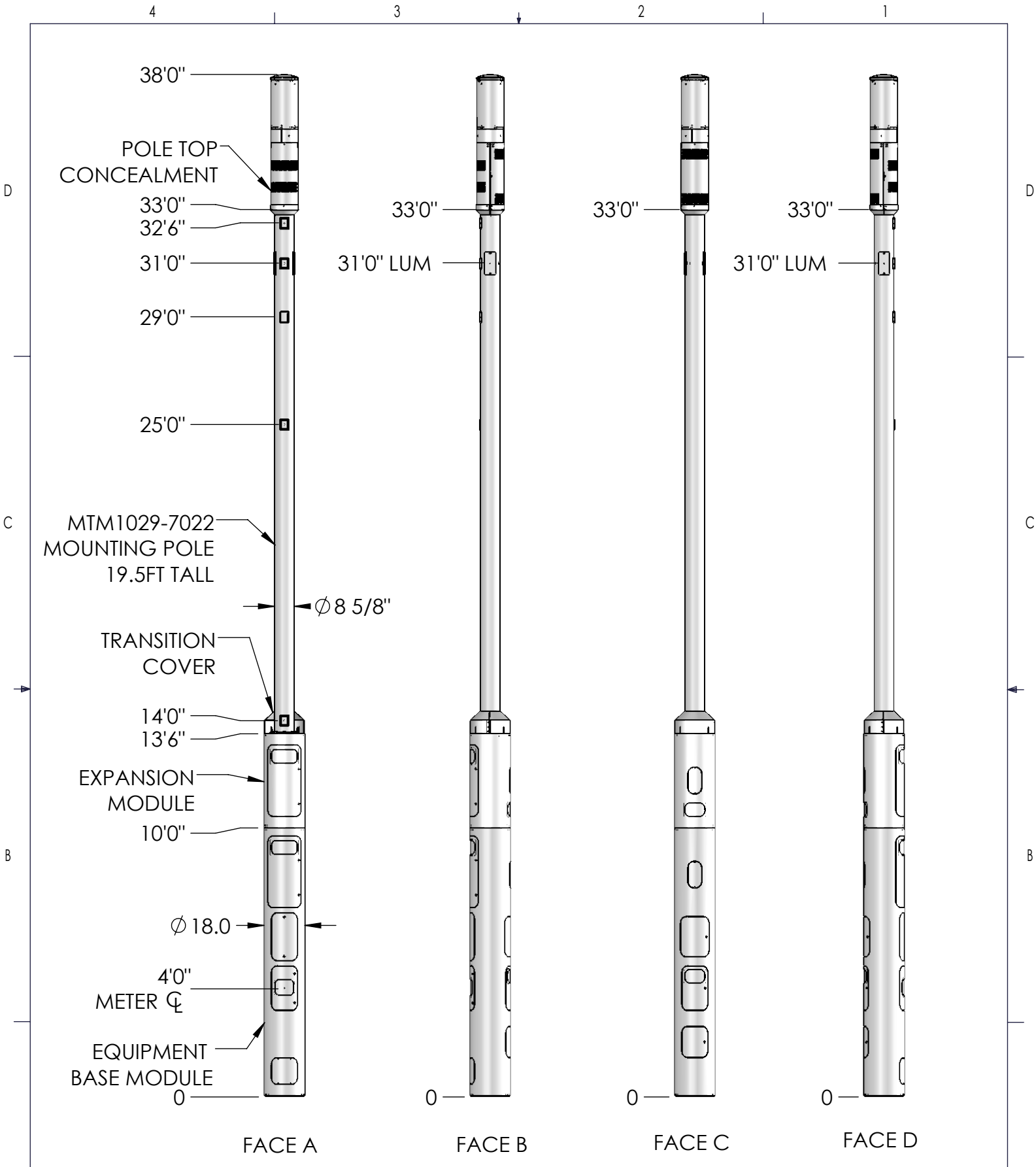
<p>These drawings and specifications are the proprietary property of CommScope Inc. and may be used only for the specific purpose authorized in writing by CommScope Inc.</p> <p>ALL DIMENSIONS ARE IN INCHES U.O.S. TOLERANCES UNLESS OTHERWISE SPECIFIED:</p> <p>.X = ± .12 ANGLES ±2° .XX = ± .06 FRACTIONS ±1/32 .XXX = ± .031</p> <p>REMOVE BURRS AND BREAK EDGES .005</p> <p>DO NOT SCALE THIS PRINT</p>	DRAWN BY: MJP CHECKED BY: DATE:	SHEET: 1 of 1 SCALE: MATERIAL:	PART NUMBER: 760243184xx20xP DESCRIPTION: METRO CELL, 18 IN INTEGRATED POLE SOLUTION DRAWING TYPE:
	REVISION: A	FINISH: WEIGHT:	

4

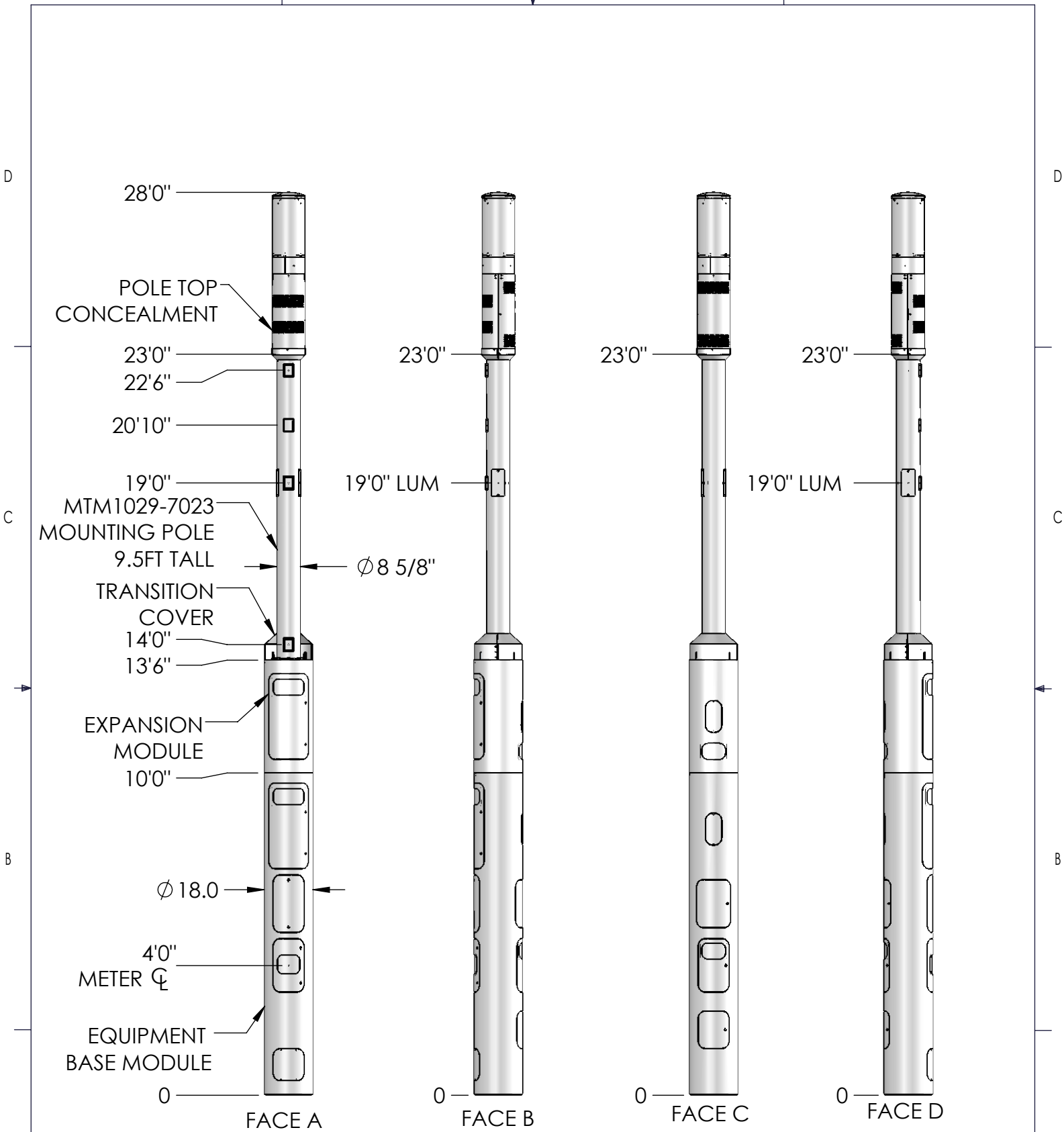
3

2

1



<p>These drawings and specifications are the proprietary property of CommScope Inc. and may be used only for the specific purpose authorized in writing by CommScope Inc.</p> <p>ALL DIMENSIONS ARE IN INCHES U.O.S. TOLERANCES UNLESS OTHERWISE SPECIFIED:</p> <p>.X = ± .12 ANGLES ±2° .XX = ± .06 FRACTIONS ±1/32 .XXX = ± .031</p> <p>REMOVE BURRS AND BREAK EDGES .005</p> <p>DO NOT SCALE THIS PRINT</p>	DRAWN BY: MJP	SHEET: 1 of 1	PART NUMBER: 760243184xx33xP
	CHECKED BY:	SCALE:	DESCRIPTION: METRO CELL, 18 IN INTEGRATED POLE SOLUTION
	DATE:	MATERIAL:	DRAWING TYPE:
	REVISION: A	FINISH:	
	WEIGHT:		



<p>These drawings and specifications are the proprietary property of CommScope Inc. and may be used only for the specific purpose authorized in writing by CommScope Inc.</p> <p>ALL DIMENSIONS ARE IN INCHES U.O.S. TOLERANCES UNLESS OTHERWISE SPECIFIED:</p> <p>.X = ± .12 ANGLES ±2° .XX = ± .06 FRACTIONS ±1/32 .XXX = ± .031</p> <p>REMOVE BURRS AND BREAK EDGES .005</p> <p>DO NOT SCALE THIS PRINT</p>	DRAWN BY: MJP	SHEET: 1 of 1	PART NUMBER: 760243184xx23xP
	CHECKED BY:	SCALE:	DESCRIPTION: METRO CELL, 18 IN INTEGRATED POLE SOLUTION
	DATE:	MATERIAL:	DRAWING TYPE:
	REVISION: A	FINISH:	
		WEIGHT:	

4

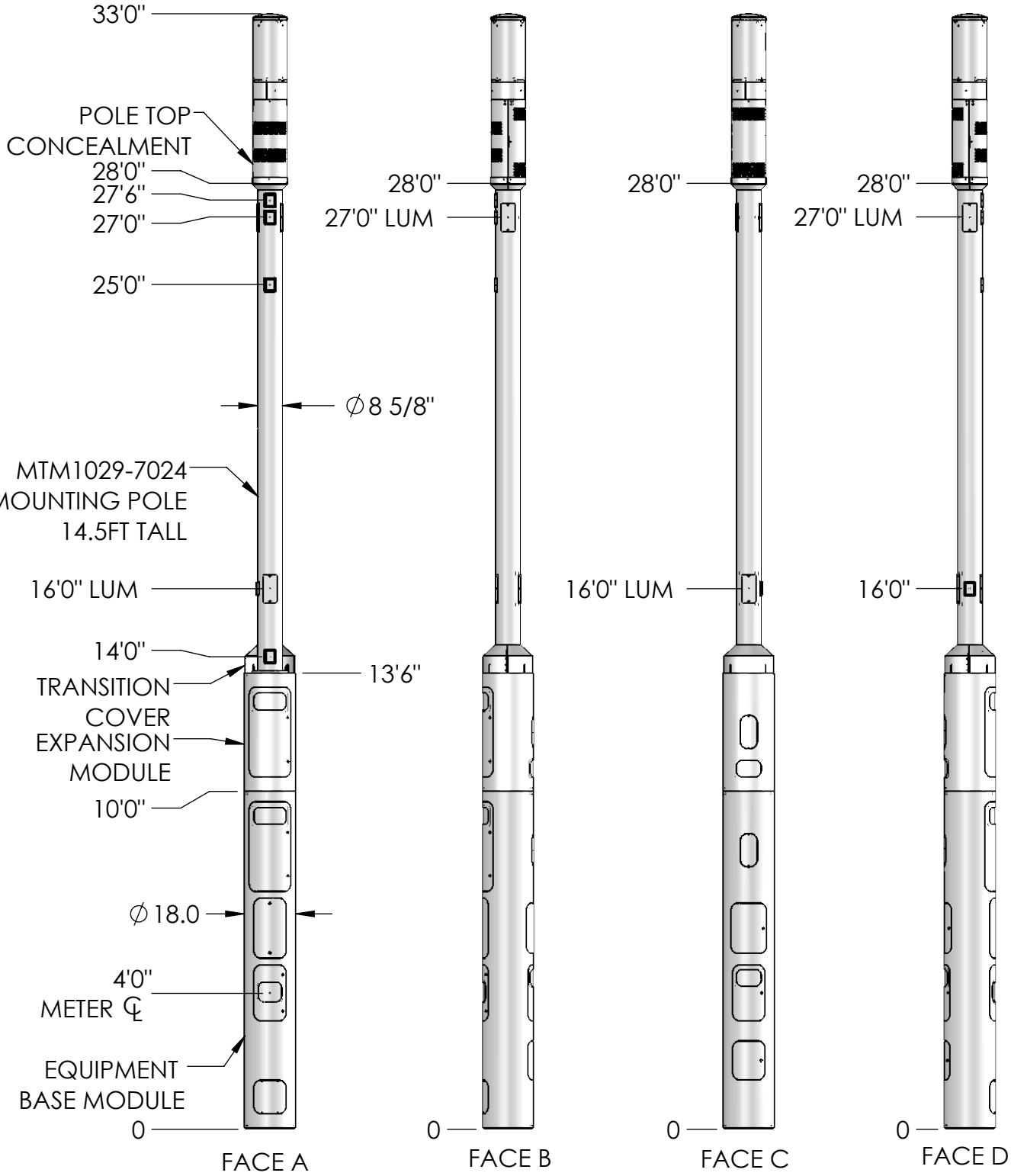
3

2

1

D

D



C

C

B

B

A

A

These drawings and specifications are the proprietary property of CommScope Inc. and may be used only for the specific purpose authorized in writing by CommScope Inc.

DRAWN BY:

MJP

SHEET:

1 of 1

PART NUMBER:

760243184xx28xP

CHECKED BY:

SCALE:

DESCRIPTION:

METRO CELL, 18 IN INTEGRATED POLE SOLUTION

DATE:

MATERIAL:

DRAWING TYPE:

REVISION:

FINISH:

WEIGHT:

A

COMMScope®

ALL DIMENSIONS ARE IN INCHES U.O.S.
TOLERANCES UNLESS OTHERWISE SPECIFIED:

.X = ±	.12	ANGLES	±2°
.XX = ±	.06	FRACTIONS	±1/32
.XXX = ±	.031		

REMOVE BURRS AND BREAK EDGES .005

DO NOT SCALE THIS PRINT

4

3

2

1