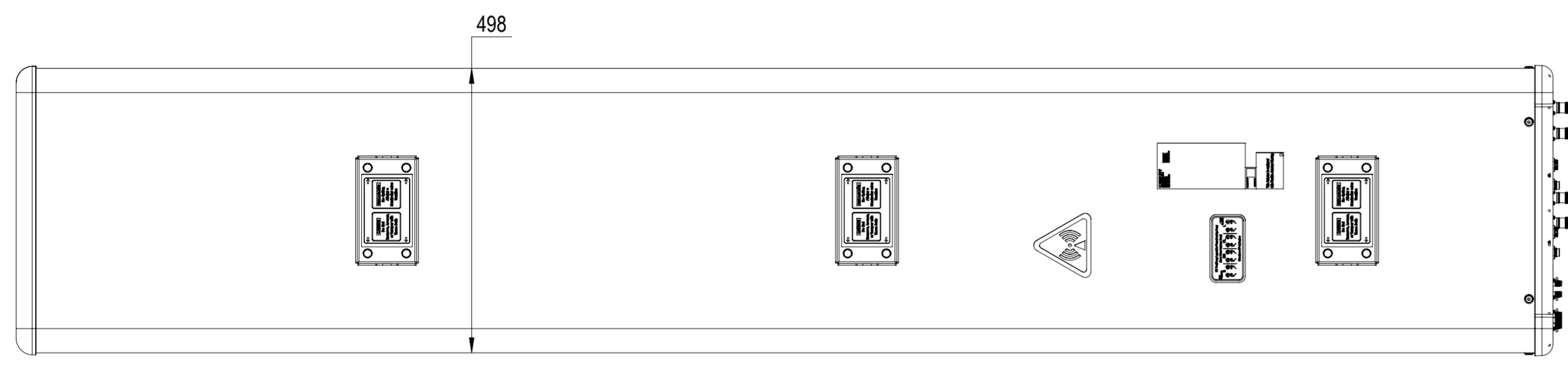
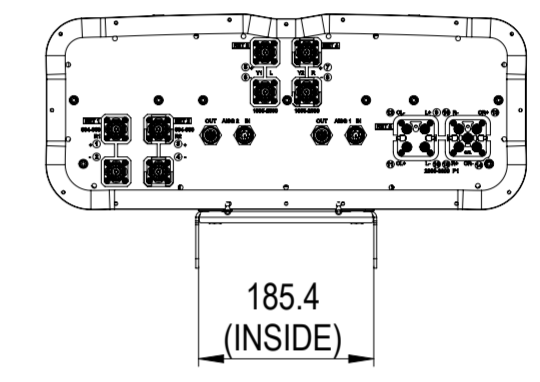
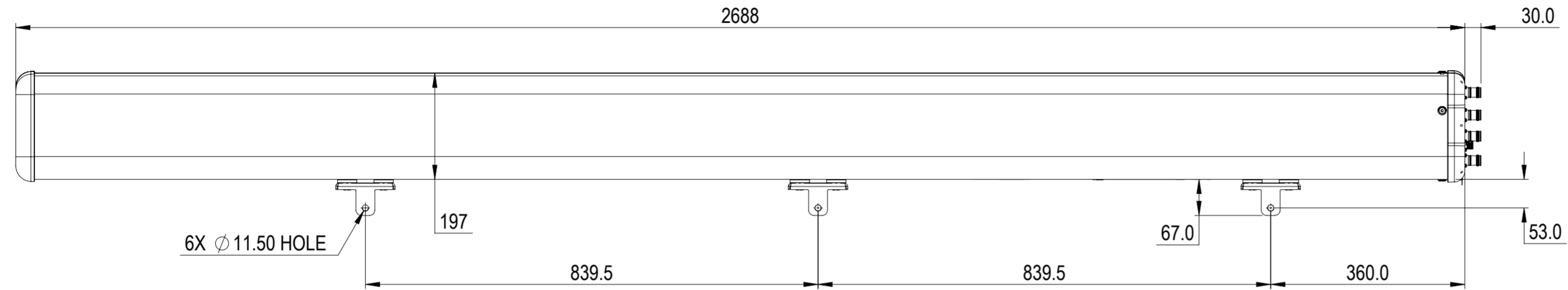


NOTES:

REVISIONS			
REV.	DESCRIPTION	DATE	APPROVED
A	ECR 15779PC: RELEASE TO PRODUCTION PER EAO 610380.	26NOV21 HWN	R.SU/XL



RRVQ4-65D-R5

COMMSCOPE, INC. OF NORTH CAROLINA

TOLERANCES		SAP MATERIAL MASTER	
0 PLACE X ±	2 PLACE .XX ±		
1 PLACE .X ±	ANGLES ±		
FINISH		MATERIAL	
<small>UNLESS OTHERWISE SPECIFIED DIMENSIONS ARE IN MILLIMETERS INTERPRET PER ISO STANDARDS HANDBOOK TECHNICAL DRAWINGS VOLUMES 1 & 2, THIRD EDITION (2002)</small>		NAME	DATE
		CE HWN	2021-11-26
		RW WH1034	11/30/2021
		AD KDI	11/30/2021
		RE HZ1014	11/30/2021
ECN 15779PC		TITLE	
		PRODUCT DRAWING	
SCALE		DOCUMENT NO.	
1:8		RRVQ4-65D-R5-L	
SIZE	Auth Group	BSA	MODEL
A2			VERSION STATUS REVISION
		DRAWING	
		VERSION STATUS REVISION	VERSION STATUS REVISION
		00 RE A	00 RE A
			SHEET
			1 OF 1

DENSITY	g/mm ³
MASS	grams
VOLUME	mm ³
SURFACE AREA	mm ²
HEIGHT	
LENGTH	
WIDTH	

© 2021 CommScope, Inc.