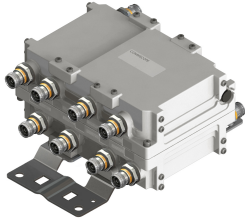


E14F15P43



Twin Quadplexer 700-800//900//1400-2100//2300-2600 MHz, DC /AISG Smart bypass, with 4.3-10 connectors

- Industry leading PIM performance
- Designed for network modernization application, introduction of LTE2300 and LTE2600 on existing site
- Designed for network modernization application, introduction of LTE 4x4 MIMO
- Suitable for feeders cables reduction
- New 4.3-10 connectors for improved PIM performance and size reduction
- DC/AISG SMART bypass functionality

Product Classification

Product Type Quadplexer

General Specifications

Color Gray

Modularity 2-Twin

Mounting Pole | Wall

Mounting Pipe Hardware Band clamps (2)

RF Connector Interface 4.3-10 Female

RF Connector Interface Body Style Medium neck

Dimensions

Height 230 mm | 9.055 in

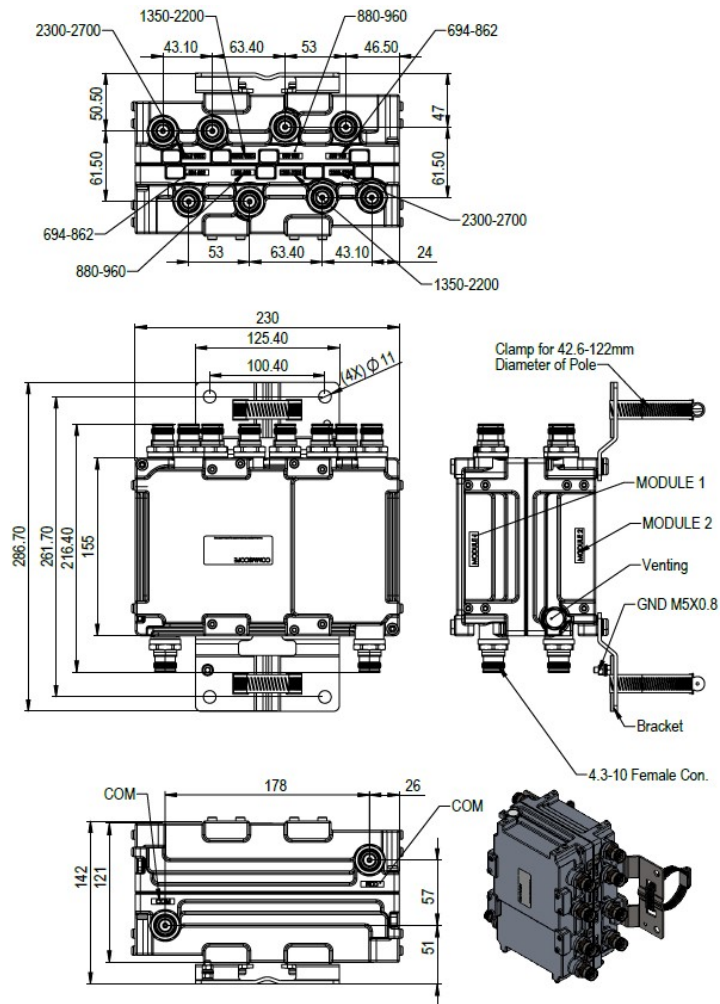
Width 155 mm | 6.102 in

Depth 121 mm | 4.764 in

Mounting Pipe Diameter Range 43–122 mm

Outline Drawing

E14F15P43



Electrical Specifications

Impedance 50 ohm

Electrical Specifications, dc Power/Alarm

dc/AISG Pass-through, combiner Autosensing

dc/AISG Pass-through, demultiplexer Autosensing

Lightning Surge Current 10 kA

Lightning Surge Current Waveform 8/20 waveform

Electrical Specifications, AISG

AISG Carrier 2176 KHz \pm 100 ppm

Insertion Loss, maximum 1 dB

E14F15P43

Return Loss, minimum 15 dB

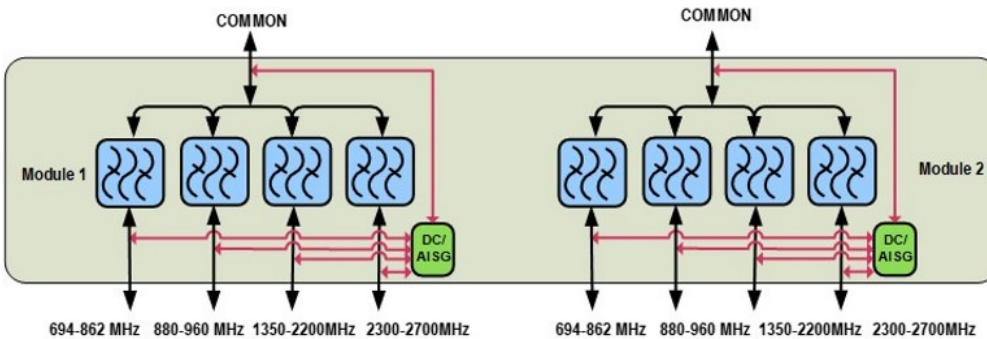
Electrical Specifications

Sub-module	1 2	1 2	1 2	1 2
Branch	1	2	3	4
Port Designation	PORT 1 694-862MHz	PORT 2 880-960MHz	PORT 3 1350-2200MHz	PORT 4 2300-2700MHz

Electrical Specifications, Band Pass

Frequency Range, MHz	694–862	880–960	1350–2200	2300–2700
Insertion Loss, typical, dB	0.15	0.25	0.15	0.15
Return Loss, typical, dB	20	20	20	20
Isolation, minimum, dB	50	50	50	50
Input Power, RMS, maximum, W	200	200	200	200
Input Power, PEP, maximum, W	2000	2000	2000	2000
3rd Order PIM, typical, dBc	-160	-160	-160	-160
3rd Order PIM Test Method	Two +43 dBm carriers	Two +43 dBm carriers	Two +43 dBm carriers	Two +43 dBm carriers

Block Diagram



Mechanical Specifications

Wind Speed, maximum 150 km/h (93 mph)

Environmental Specifications

Operating Temperature -40 °C to +65 °C (-40 °F to +149 °F)

Corrosion Test Method IEC 60068-2-11, 30 days

Environmental Test Method ETSI EN 300 019-1-4

E14F15P43

Ingress Protection Test Method IEC 60529:2001, IP67

Packaging and Weights

Included Mounting hardware

Volume 4.3 L

Weight, net 6.1 kg | 13.448 lb

Weight, without mounting hardware 5.6 kg | 12.346 lb