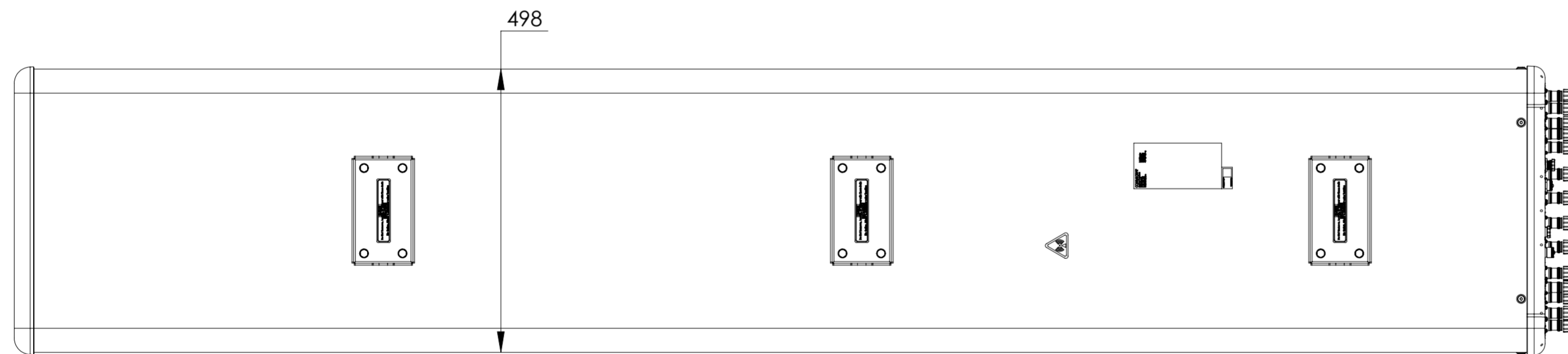
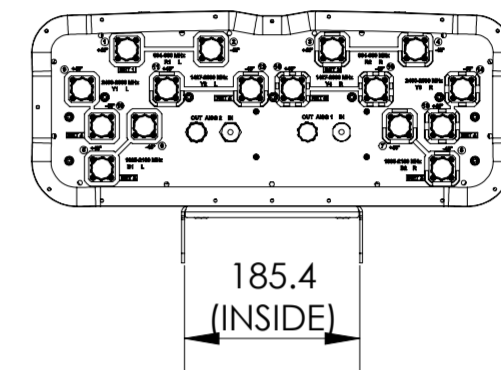
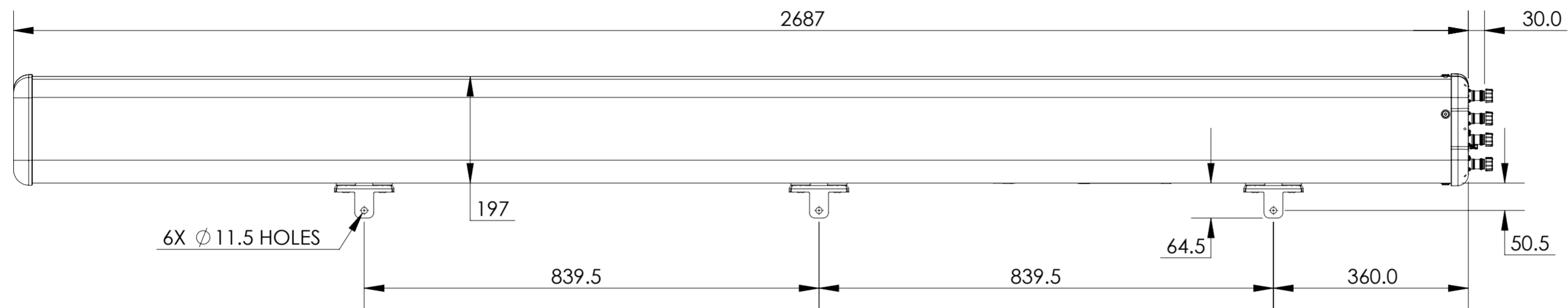


REVISIONS			
REV.	DESCRIPTION	DATE	APPROVED
A	ECR 8000029138: REL TO PRODUCTION PER EAO 605361.	29JUN18 YYC	XHT/RRZHANG
B			



RRZZHHTT-65D-R6

**COMMSCOPE, INC. OF NORTH CAROLINA**

TOLERANCES		SAP MATERIAL MASTER	
0 PLACE X ±	2 PLACE .XX ±		
1 PLACE .X ±	ANGLES ±		
FINISH		MATERIAL	
<small>UNLESS OTHERWISE SPECIFIED DIMENSIONS ARE IN MILLIMETERS INTERPRET PER ISO STANDARDS HANDBOOK TECHNICAL DRAWINGS, VOLUMES 1 &amp; 2, THIRD EDITION (2002)</small>		NAME	DATE
		CE YY1004	06/29/2018
		RW YY1004	07/25/2018
		RV XT1003	08/23/2018
		AD RZ1021	08/23/2018
RE BYUAN	08/23/2018	TITLE	
ECN 8000029138-0		<b>ANT - 4LB, 12HB, 65DEG, 6RET</b>	
		SCALE	DOCUMENT NO.
		<b>1:8</b>	<b>RRZZHHTT-65D-R6</b>
		SIZE	WORK AREA BSA
		<b>A2</b>	
		MODEL	
VERSION	STATUS	REVISION	DRAWING
00	RE	A	VERSION STATUS REVISION
		00	RE A
		SHEET	
		1 OF 1	

DENSITY	g/mm <sup>3</sup>
MASS	grams
VOLUME	mm <sup>3</sup>
SURFACE AREA	mm <sup>2</sup>
HEIGHT	
LENGTH	
WIDTH	