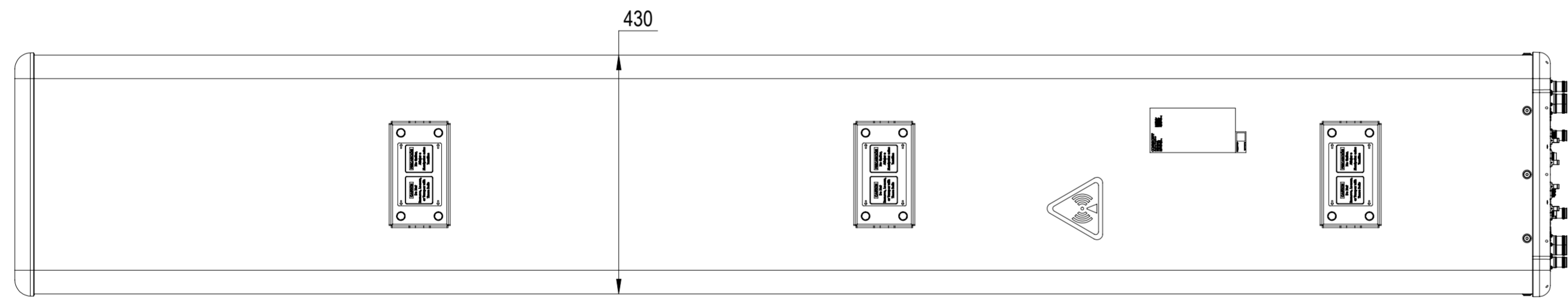
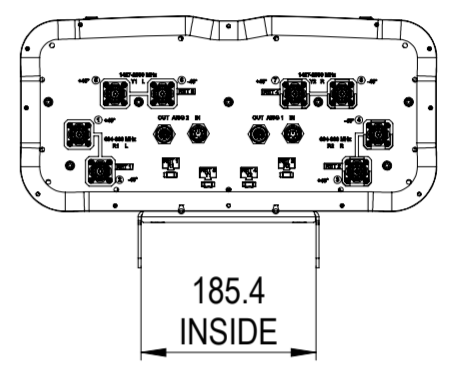
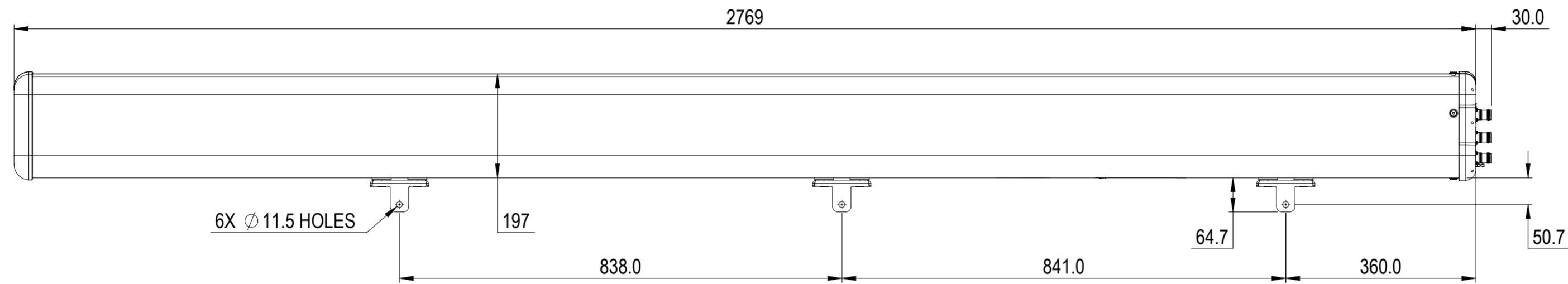


REVISIONS			
REV.	DESCRIPTION	DATE	APPROVED
A	ECR 15061PC: RELEASE TO PRODUCTION PER EAO 610036.	17SEP21 YYOU	DM.WANG/LYZ



RRZZ-65D-R4N43V1

COMMSCOPE, INC. OF NORTH CAROLINA

TOLERANCES		SAP MATERIAL MASTER	
0 PLACE X ±	2 PLACE .XX ±		
1 PLACE .X ±	ANGLES ±		
FINISH		MATERIAL	
<small>UNLESS OTHERWISE SPECIFIED DIMENSIONS ARE IN MILLIMETERS INTERPRET PER ISO STANDARDS HANDBOOK TECHNICAL DRAWINGS VOLUMES 1 & 2, THIRD EDITION (2002)</small>		NAME	DATE
		CE YYOU	29JUN21
		RW	
		AD	
		RE	
ECN		PRODUCT DRAWING	
SCALE			
1:8		RRZZ-65D-R4N43V1	
SIZE	Auth Group	MODEL	
A2		VERSION	STATUS
		REVISION	REVISION
		DRAWING	
		VERSION	STATUS
		REVISION	REVISION
		SHEET	
		1 OF 1	