

RELEASED FOR PUBLICATION

© 2016 COMMSCOPE, INC. CONFIDENTIAL
NOTICE: THESE DRAWINGS AND SPECIFICATIONS ARE THE PROPRIETARY PROPERTY OF COMMSCOPE, INC. AND MAY BE USED ONLY FOR THE SPECIFIC PURPOSE AUTHORIZED IN WRITING BY COMMSCOPE, INC.

| REVISIONS | | | | | |
|-----------|-----|-------------|-----------|-----|------|
| P | LTR | DESCRIPTION | DATE | DWN | APVD |
| | B | 40146851CM0 | 13APR2022 | MB | SA |
| | | | | | |
| | | | | | |

1. DIMENSIONS SHOWN ARE FOR REFERENCE ONLY. (Nominal values). VIEWS for REF. ONLY.

2. MATERIAL:

- > Housing: Zinc alloy. Nickel plating
- > Contact: Phosphor Bronze with 1.27um hard gold plating over contact area.
- > IDC: Phosphor Bronze with Tin plating.
- > IDC Housing: ABS/PC FR.

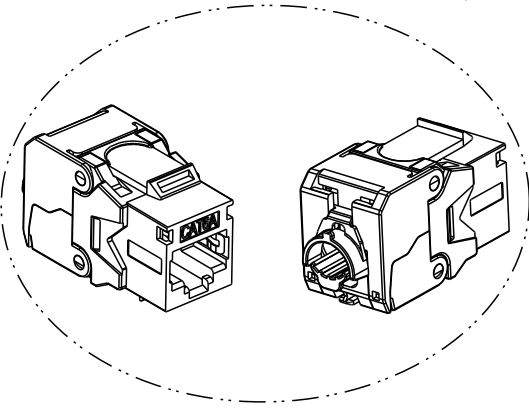
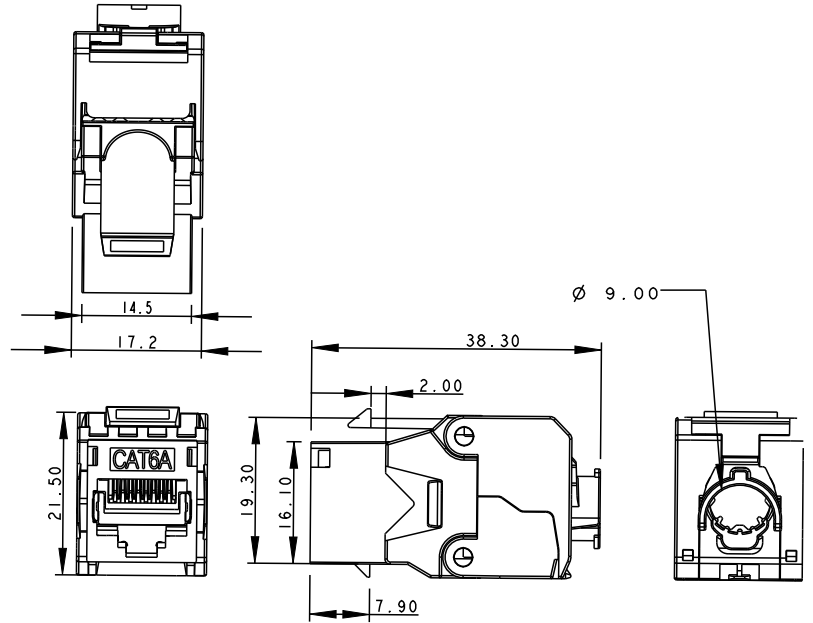
3. GENERAL SPEC.: ISO/IEC 11801 Ed. 2.2

- > IDC Capability:
 - >> AWG 22-26 Solid
 - >> AWG 24 Stranded.
- > Cable Jacket: Max.Ø9.0 mm.

4. RECOMMENDED PANEL CUT-OUT:

(for single wall plate & back panel for double wall plate)

- > Height: 19.30 (Nominal.)
- > Width: 14.73 (Nominal)



| | | |
|------|-------------|-------------|
| B | KJX - 6A | 760253419 |
| REV. | DESCRIPTION | PART NUMBER |

| | | | | | | | | |
|--|--|---------------------------------|------------------------------|--|--|---|--|--|
| DIMENSIONS: mm | | DWN MANJUNATH BHAT 04FEB2022 | MATERIAL - FINISH - | | | | | |
| TOLERANCES UNLESS OTHERWISE SPECIFIED: | | CHK SANDESH A 04FEB2022 | COMMSCOPE, INC. | | | | | |
| | | APVD JAYANTH S 04FEB2022 | | | | | | |
| 0 PLC ±0.1 | | PRODUCT SPEC -- | | | | NAME KJX - 6A | | |
| 1 PLC ±0.1 | | APPLICATION SPEC | | | | SIZE A 4 CAGE CODE - DRAWING NO C=760253419 RESTRICTED TO - | | |
| 2 PLC ±0.05 | | 860666095 | SCALE N.A SHEET 1 OF 1 REV B | | | | | |
| 3 PLC ± | | WEIGHT - | | | | | | |
| 4 PLC ± | | CUSTOMER DRAWING | | | | | | |
| ANGLES ± | | | | | | | | |