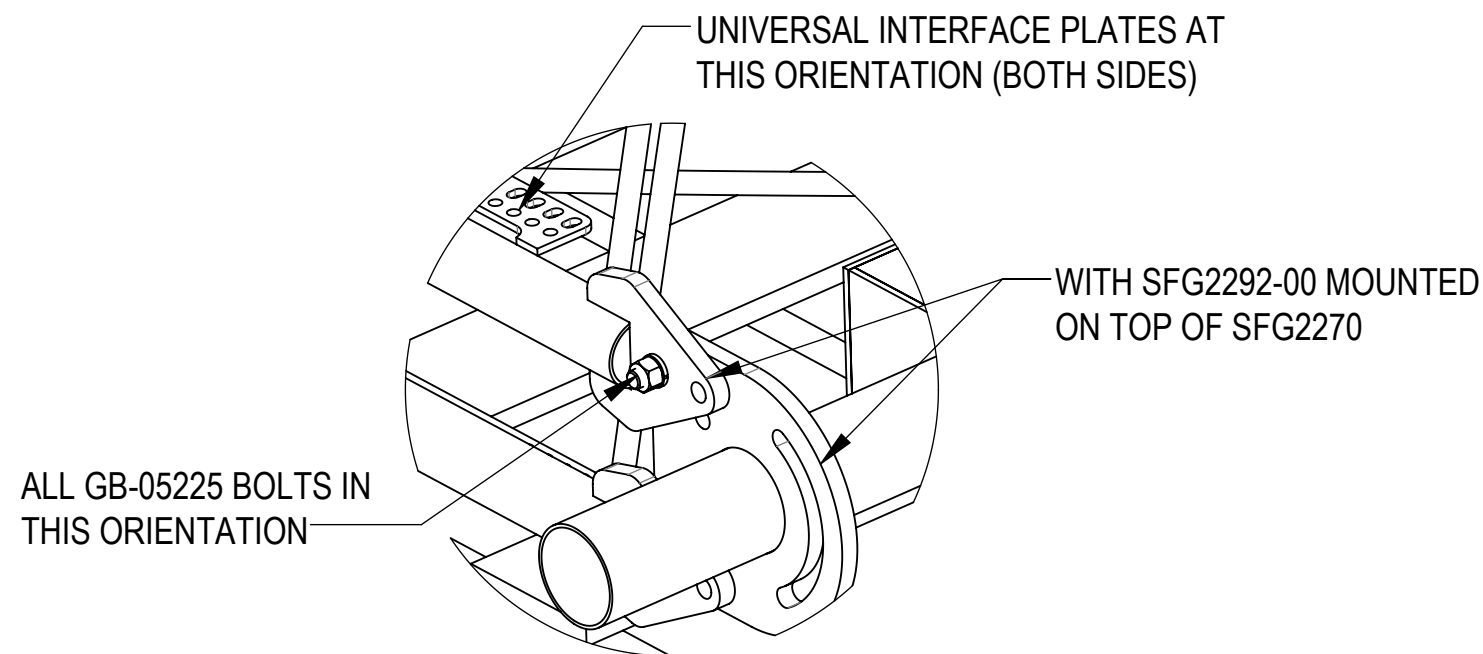
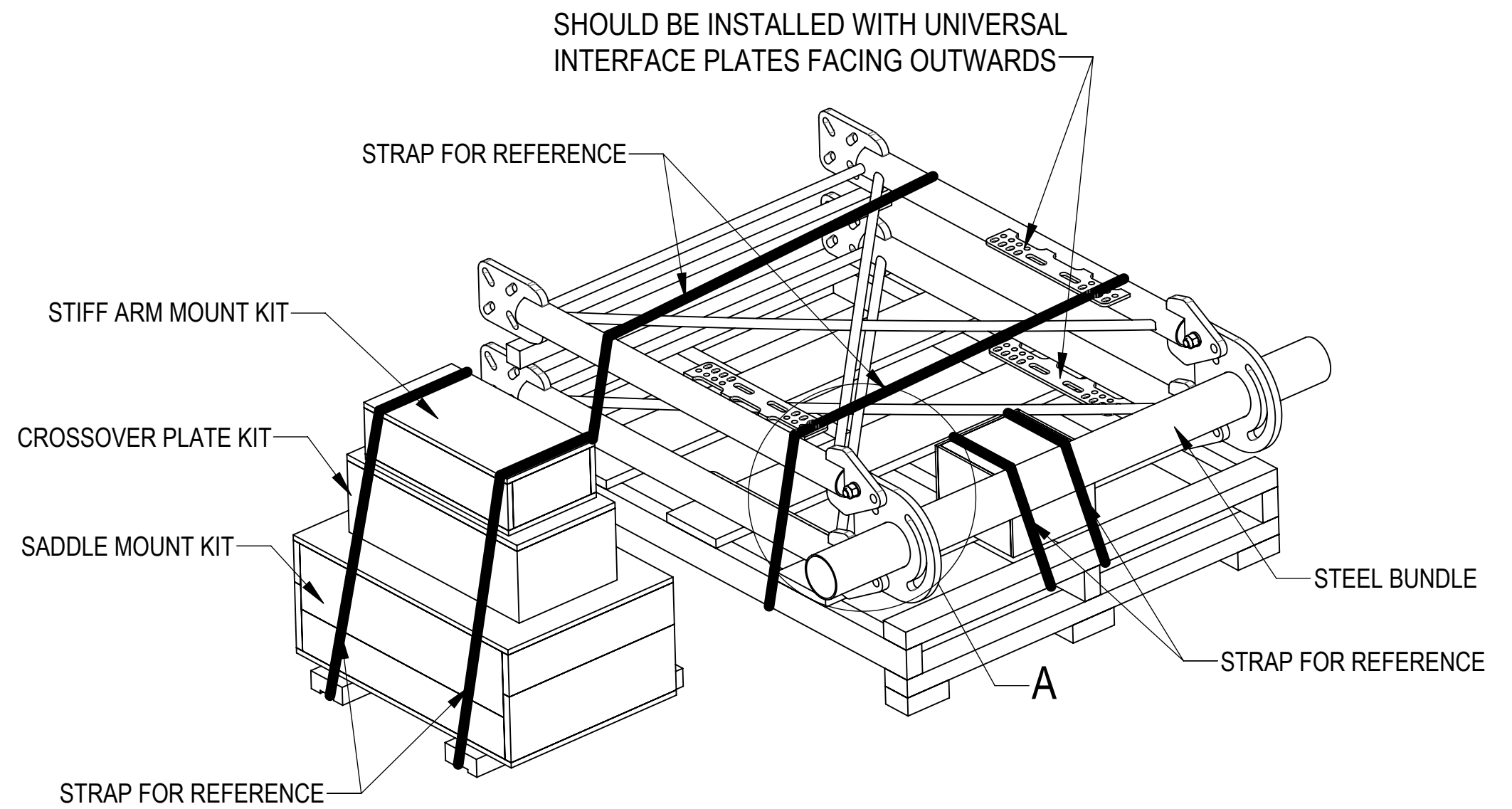
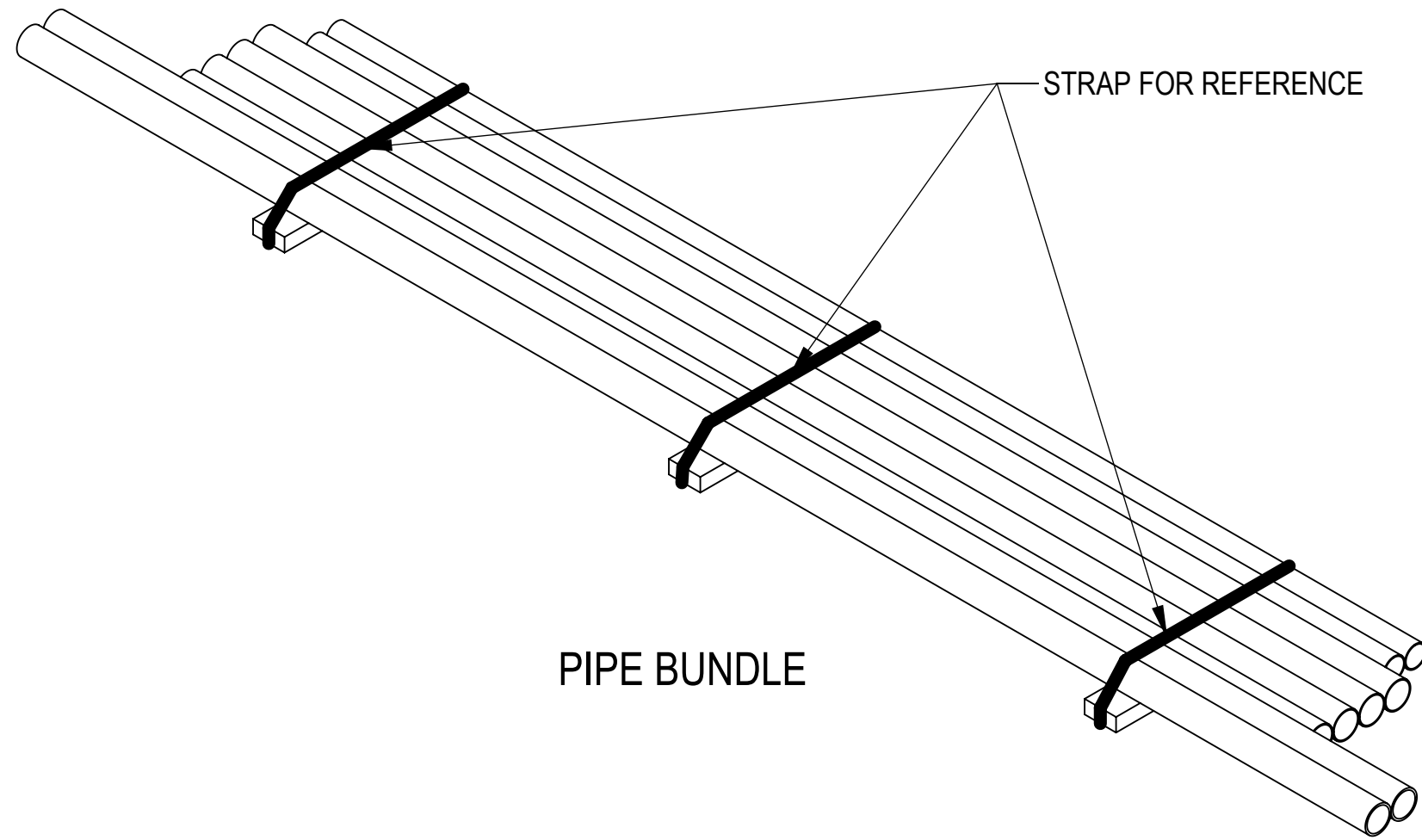


- 1.0 GENERAL NOTES
 1.1 ALL METRIC DIMENSIONS ARE IN BRACKETS [X.XX]
 1.2 FOR PATENT INFO: <https://www.cs-pat.com>
 2.0 DESIGN NOTES
 2.1 ANY HAZARDS OR OBSTRUCTIONS TO THE CLIMBING FACILITY AND SAFETY CLIMB MUST BE IDENTIFIED PRIOR TO INSTALLING THE APPURTENANCE. ADDITIONAL PRODUCTS MAY BE REQUIRED TO MAINTAIN THE INTEGRITY OF THE SAFETY CLIMB. DURING INSTALLATION, TEMPORARY AND/OR PERMANENT PRECAUTIONARY MEASURES SHOULD BE TAKEN TO PRESERVE THE CLIMBING FACILITY AND/OR SAFETY CLIMB.
 2.2 UP TO 5.0° TAPER AVAILABLE ON MODELS THAT SUPPORT ADJUSTMENT.
 3.0 MANUFACTURING/SPECIAL REQUIREMENTS
 3.1 TIGHTEN ALL BOLTS SECURING FLAT PLATES BY THE TURN-OF-NUT METHOD. TIGHTEN ALL U-BOLTS USING TURN-OF-NUT METHOD WITH ATTENTION TO LEAVE EQUAL DISTANCE AND EQUAL FORCE ON EACH LEG OF THE U-BOLT.
 4.0 TEST
 5.0 PACKAGING
 5.1 PACKAGING SHALL MEET COMMSCOPE REQUIREMENTS PER DOCUMENT IS-PL-3005.
 5.2 PRINTED DOCUMENT TO BE PLACED INSIDE POLYBAG AND THEN IN SHIPPING CONTAINER.
 5.3 EXTRA HARDWARE MAY BE SUPPLIED, BAGGED AND SHIPPED.

REVISIONS			
REV.	DESCRIPTION	DATE	APPROVED
G	SHEET 1: RE-NUMBERED NOTES; REMOVED ORIGINAL NOTE 1.2 & 3.1; UPDATED PACKAGING; UPDATED TABLE: DELETE SFG22HDX-8-B & SFG22HDX-10-B & SFG22HDX-12-B & SFG22HDX-14-B	YX1027 15JUL22	BA1025 40154579CMO
H	REMOVED SFG2250, UPDATED NOTES	YMENG 18APR23	BA1025 40146772CMO
J	SHEET2: ADDED EPA DATAS; ADDED ITEM 27 SFG2255; SHEET5: ADDED LABEL INSTALLATION NOTICE	JL1183 05DEC23	YW1045 40184491CMO
K	SHEET2: ADDED SFG22HDX-13-4-H10; SFG22HDX-13-4-120; SFG22HDX-15-4-H10; SFG22HDX-15-4-120; SFG22HDX-15-5-120; SFG22HDX-15-5-WLL	JL1183 26FEB24	CB1094 40188553CMO
L	SADDLE MOUNT CHANGED TO G23; SHEET2: ADDED SFG22HDX-11-3-120 TO TABLE 1	RY1002 14JUN24	BA1025 40197994CMO
M	SFG2292-00 (ITEM 2) WAS SFG2278; UPDATED TIE BACK PIPE TO 2.375" EXCEPT -H10/-WLL; ADDED SHEET 5 V-ARM VIEW; UPDATED TABLE 1 WEIGHT, EPA & INCLUDED PARTS	JL1183 25NOV24	YZ1080 40209215CMO



DETAIL A
SCALE 1 : 6

COMMSCOPE, INC. OF NORTH CAROLINA											
TOLERANCES						SAP MATERIAL MASTER					
0 PLACE .X[X] ± 0.25[6.3]			2 PLACE .XX[X] ± 0.06[1.5]			SEE TABLE 1					
1 PLACE .X[X] ± 0.12[3.0]			ANGLES ± 2°			FINISH					
FINISH						MATERIAL					
UNLESS OTHERWISE SPECIFIED DIMENSIONS ARE IN INCHES INTERPRET PER ANSI Y 14.5M-1994	NAME	DATE	TITLE								
	CE RJC	01/11/2019	SFG22HDX SECTOR FRAME SERIES								
	RW YMENG	12/24/2024									
	AD YZ1080	12/24/2024									
	RE YMENG	12/24/2024									
ECN 40209215CMO											
SCALE	DOCUMENT NO.		SFG22HDX								
1:10			SIZE			MODEL			DRAWING		
C	Auth Group	INSL	VERSION	STATUS	REVISION	VERSION	STATUS	REVISION	VERSION	STATUS	REVISION
			12	RE		17	RE	M			
											SHEET 1 OF 12

PART NUMBERS, WEIGHTS, & EPA

TABLE 1: CONFIGURATIONS

PART NUMBER	DESCRIPTION	WEIGHT (LBS)	MOUNT EPA W/NO ICE (FT²)			MOUNT EPA W/ 1/2" ICE (FT²)			ANTENNA PIPES	INCLUDED PARTS																																
			FRONT (EPA)N	SIDE (EPA)T	3-SECTORS (EPA)A	FRONT (EPA)N	SIDE (EPA)T	3-SECTORS (EPA)A		SM-U2080HDXG23	SFG22HDX-HK03	SFG22HDX-HK01	XP-2525-4	XP-2525-6	XP-2525-8	XP-2525-OFF-4	SFG22HDX-SB01	PB02TEA0310B0210K	PB02TEA0308B0210K	PB02TEA0410B0212K	PB02TEA0408B0212K	PB06TEB0212K	PB07TEB0212K	PB02TEA0410B0214P	PB02TEA0408B0214P	PB06TEB0214P	PB07TEB0214P	PB02TEA0310B0208K	PB02TEA0308B0208K	PB02TEA0410B0208K	PB02TEA0408B0208K	PB02TEA0404TEB0213K	PB06TEB0213K	PB02TEA0404TEB0215P	PB02TEA05TEB0215P	PB06TEB0215P	PB07TEB0215P	PB05TEB0211K	SFG2255			
SFG22HDX-10-3-126	SECTOR FRAME 10' FACE, (3) 126" ANT	633.99	8.11	6.49	17.52	11.62	10.10	26.06		3	1	1	-	-	1	-	1	1	-	-	-	-	-	-	-	-	-	-	-	-	-	-	-	-	-	-	-	-	-	-	-	1
SFG22HDX-10-3-96	SECTOR FRAME 10' FACE, (3) 96" ANT	607.42								3	1	1	-	-	1	-	1	-	1	-	-	-	-	-	-	-	-	-	-	-	-	-	-	-	-	-	-	-	-	-	-	1
SFG22HDX-12-4-126	SECTOR FRAME 12' FACE, (4) 126" ANT	711.20	9.17	6.49	18.80	13.03	10.10	27.76		4	1	1	-	-	1	-	1	-	-	1	-	-	-	-	-	-	-	-	-	-	-	-	-	-	-	-	-	-	-	-	-	1
SFG22HDX-12-4-96	SECTOR FRAME 12' FACE, (4) 96" ANT	675.76								4	1	1	-	-	1	-	1	-	-	-	1	-	-	-	-	-	-	-	-	-	-	-	-	-	-	-	-	-	-	-	-	1
SFG22HDX12-4-H10	SINGLE SECTOR FRM KIT 12'6" FACE W/4 AP	717.15	9.17	6.99	19.40	13.03	10.60	28.36		4	1	-	1	-	1	-	1	-	-	-	-	-	1	-	-	-	-	-	-	-	-	-	-	-	-	-	-	-	-	-	-	1
SFG22HDX12-5-WLL	SINGLE SECTOR FRM KIT 12'6" FACE W/5 AP	769.33								5	1	-	1	1	1	-	1	-	-	-	-	-	-	1	-	-	-	-	-	-	-	-	-	-	-	-	-	-	-	-	-	1
SFG22HDX-14-4-126	SECTOR FRAME 14' FACE, (4) 126" ANT	788.82	10.24	6.49	20.08	14.45	10.10	29.46		4	1	1	-	-	1	-	1	-	-	-	-	-	-	-	1	-	-	-	-	-	-	-	-	-	-	-	-	-	-	-	-	1
SFG22HDX-14-4-96	SECTOR FRAME 14' FACE, (4) 96" ANT	753.39								4	1	1	-	-	1	-	1	-	-	-	-	-	-	-	1	-	-	-	-	-	-	-	-	-	-	-	-	-	-	-	-	1
SFG22HDX14-4-H10	SINGLE SECTOR FRM KIT 14'6" FACE W/4 AP	794.77	10.24	6.99	20.66	14.45	10.60	30.04		4	1	-	1	-	1	-	1	-	-	-	-	-	-	-	1	-	-	-	-	-	-	-	-	-	-	-	-	-	-	-	-	1
SFG22HDX14-5-WLL	SINGLE SECTOR FRM KIT 14'6" FACE W/5 AP	846.95								5	1	-	1	1	1	-	1	-	-	-	-	-	-	-	1	-	-	-	-	-	-	-	-	-	-	-	-	-	-	-	-	1
SFG22HDX-8-3-126	SECTOR FRAME 8' FACE, (3) 126" ANT	603.82	6.78	6.49	15.92	9.85	10.10	23.94		3	1	1	-	-	1	-	1	-	-	-	-	-	-	-	-	-	1	-	-	-	-	-	-	-	-	-	-	-	-	-	-	1
SFG22HDX-8-3-96	SECTOR FRAME 8' FACE, (3) 96" ANT	577.25								3	1	1	-	-	1	-	1	-	-	-	-	-	-	-	-	-	-	1	-	-	-	-	-	-	-	-	-	-	-	-	1	
SFG22HDX-8-4-126	SECTOR FRAME 8' FACE, (4) 126" ANT	657.77								4	1	1	-	-	1	-	1	-	-	-	-	-	-	-	-	-	-	-	1	-	-	-	-	-	-	-	-	-	-	-	1	
SFG22HDX-8-4-96	SECTOR FRAME 8' FACE, (4) 96" ANT	622.34								4	1	1	-	-	1	-	1	-	-	-	-	-	-	-	-	-	-	-	-	1	-	-	-	-	-	-	-	-	-	-	1	
SFG22HDX-13-4-120	SF,13',(4)2.88"X120"-PIPES-PIM-SPACED	709.93	9.44	6.49	19.12	13.39	10.10	28.18		4	1	1	-	-	1	-	1	-	-	-	-	-	-	-	-	-	-	-	-	-	-	-	-	-	-	-	-	-	-	-	1	
SFG22HDX-13-4-H10	SF,13',(4)2.88"X120"-PIPES-PIM-SPACED	722.96	9.44	6.99	19.72	13.39	10.60	28.78		4	1	-	1	-	1	-	1	-	-	-	-	-	-	-	-	-	-	-	-	-	-	-	-	-	-	-	-	-	-	-	1	
SFG22HDX-15-4-120	SF,15',(4)2.88"X120"-PIPES-PIM-SPACED	827.57	10.49	6.49	20.38	14.79	10.10	29.87		4	1	1	-	1	-	1	1	-	-	-	-	-	-	-	-	-	-	-	-	-	-	-	-	-	-	-	-	-	-	-	1	
SFG22HDX-15-5-120	SF,15',(5)2.88"X120"-PIPES-PIM-SPACED	841.60								5	1	1	-	1	1	-	1	-	-	-	-	-	-	-	-	-	-	-	-	-	-	-	-	-	-	-	-	-	-	-	1	
SFG22HDX-15-4-H10	SF,15',(4)2.88"X120"-PIPES-PIM-SPACED	840.60	10.49	6.99	20.98	14.79	10.60	30.47		4	1	-	1	1	-	1	1	-	-	-	-	-	-	-	-	-	-	-	-	-	-	-	-	-	-	-	-	-	-	-	1	
SFG22HDX-15-5-WLL	SF,15',(5)2.88"X120"-PIPES-PIM-SPACED	854.64								5	1	-	1	1	1	-	1	-	-	-	-	-	-	-	-	-	-	-	-	-	-	-	-	-	-	-	-	-	-	-	1	
SFG22HDX-11-3-120	PG,SF,11'FP,(3)120"AP	631.86	8.37	6.49	17.84	11.97	10.10	26.48		3	1	1	-	-	1	-	1	-	-	-	-	-	-	-	-	-	-	-	-	-	-	-	-	-	-	-	-	-	-	-	1	

- NOTES:
1. NO MOUNT PIPES CONSIDERED. IF DESIRED, ADD ANTENNA PIPE PER TABLE 2
 2. MOUNT CONNECTION MEMBERS TO TOWER CONSIDERED.
 3. 3-SECTOR EPA INCLUDES KA FACTORS.

TABLE 2: EPA OF EACH ANTENNA PIPE

ANTENNA PIPE	MOUNT EPA W/NO ICE (FT²)			MOUNT EPA W/ 1/2" ICE (FT²)		
	FRONT (EPA)N	SIDE (EPA)T	3-SECTORS (EPA)A	FRONT (EPA)N	SIDE (EPA)T	3-SECTORS (EPA)A
2-7/8" X 96"	2.07	2.07	1.84	2.79	2.79	2.48
2-7/8" X 120"	2.59	2.59	2.30	3.49	3.49	3.10
2-7/8" X126"	2.72	2.72	2.42	3.67	3.67	3.26

- NOTE:
1. ANTENNA PIPES ARE CONSIDERED SEPARATELY.
 2. KA FACTOR OF 3-SECTOR EPA INCLUDED.
 3. COMBINE THE ASSOCIATED EPA VALUES IN THE TABLES ABOVE TO DETERMINE THE EPA OF A MOUNT MODEL WITH A LISTED MOUNT PIPE CONFIGURATION. FOR EXAMPLE: SFG22HDX-12-4-126 HAS A FRONT EPA OF 9.17 FT² WITH NO ICE PLUS 4 ANTENNA PIPES WITH A FRONT EPA OF 4X2.72=10.88 FT² WITH NO ICE. SO, THE TOTAL FRONT EPA SHOULD BE 20.05 FT²; (SIDE EPA SAME METHOD AS FRONT EPA). WHEN 3 SECTOR FRAMES ARE MOUNTED AT THE SAME RELATIVE ELEVATION IN AN ARRANGEMENT, IT HAS A 3-SECTOR EPA OF 18.80 FT² WITH NO ICE PLUS 4 ANTENNA PIPES WITH A 3-SECTOR EPA OF (4X2.42)X3=29.04 FT² WITH NO ICE. SO, THE TOTAL 3-SECTOR EPA SHOULD BE 47.84 FT².

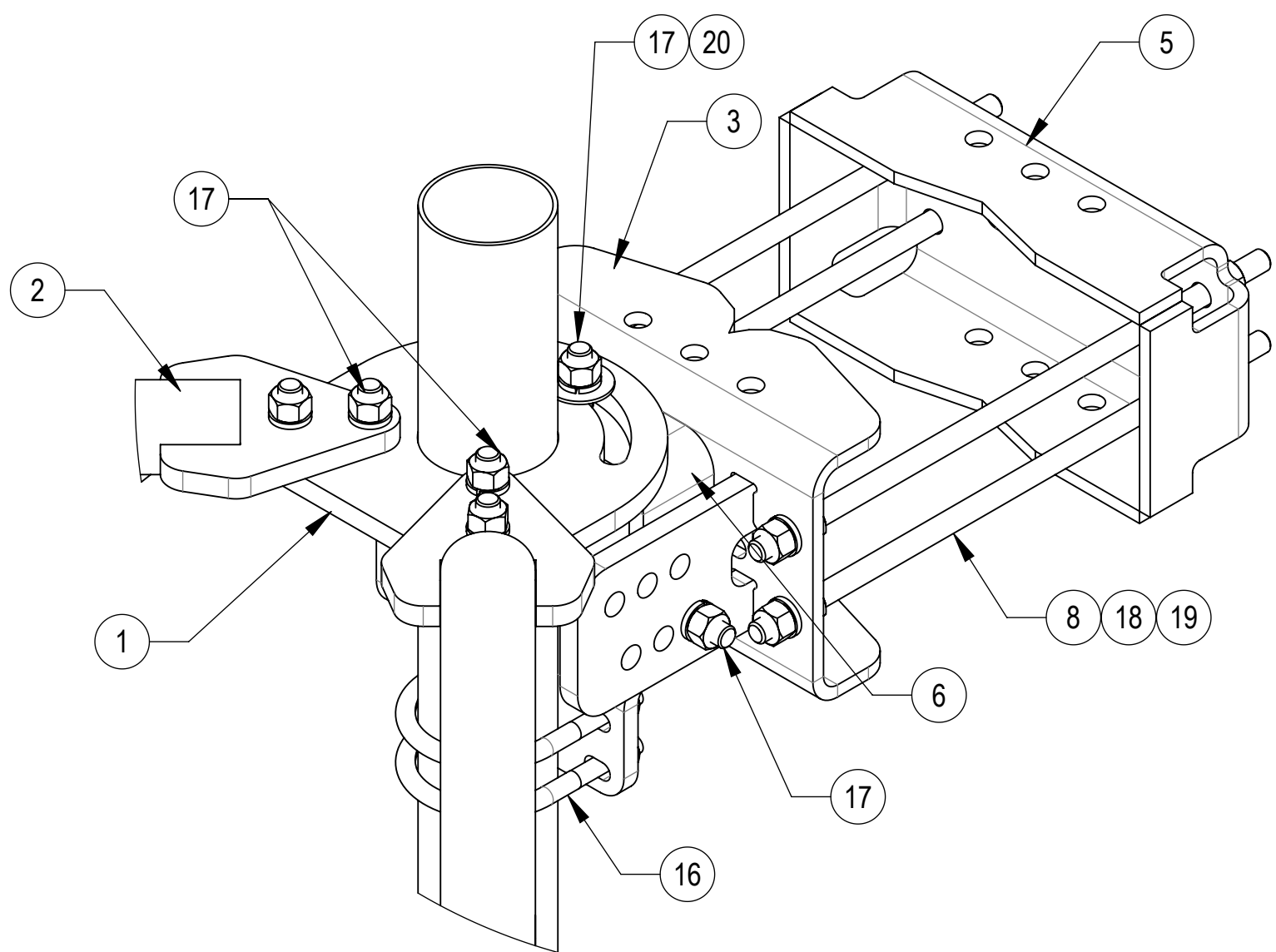
COMMSCOPE, INC. OF NORTH CAROLINA			
TITLE SFG22HDX SECTOR FRAME SERIES			
SIZE C	SCALE 1:16	DOCUMENT NO. SFG22HDX	
DRAWING VERSION STATUS REVISION 17 RE M			SHEET 2 OF 12

4

3

2

1

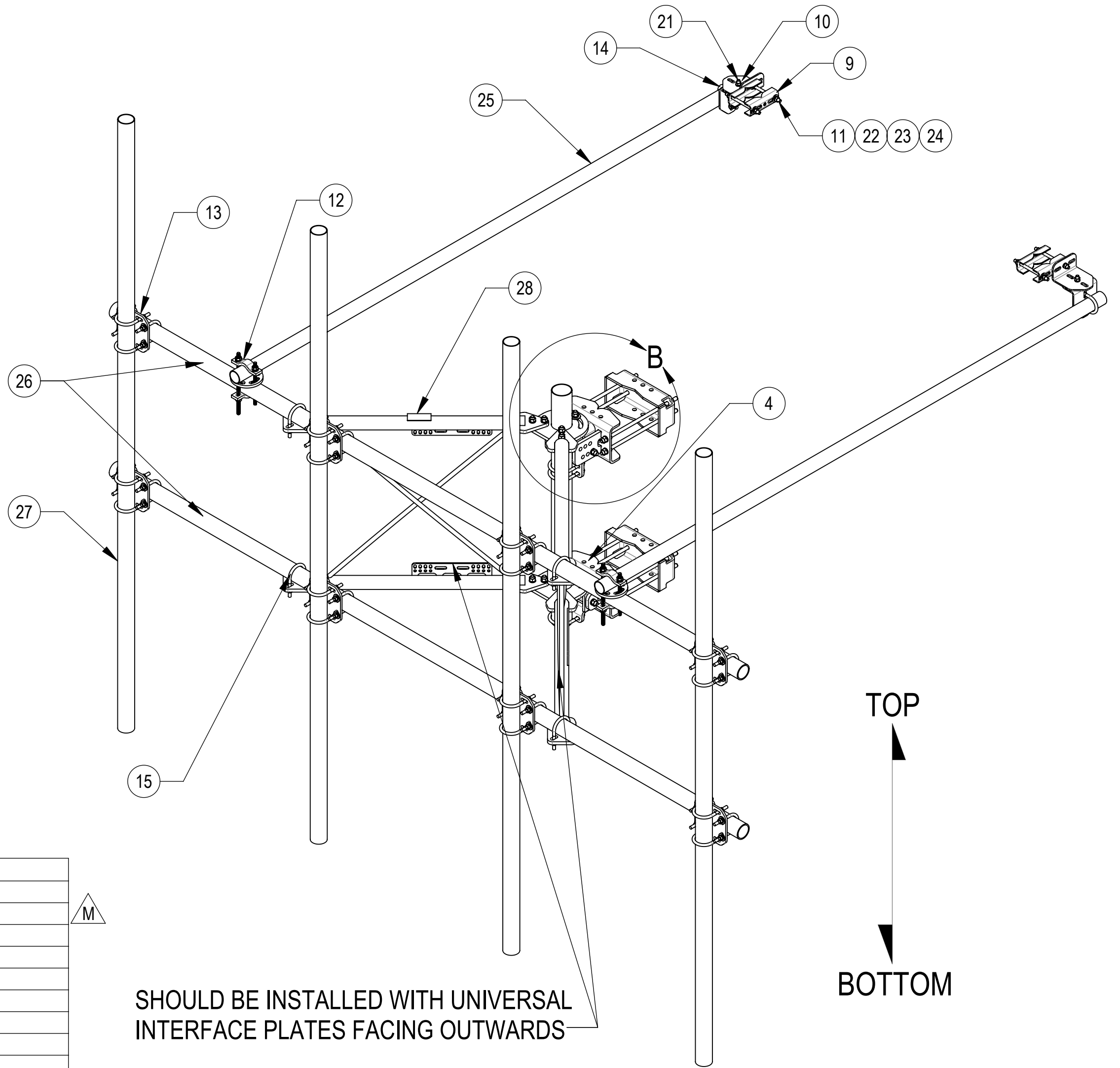


DETAIL B
SCALE 1 : 4

SFG22HDX-12-4-126 SHOWN FOR REFERENCE
(NOT ALL CONFIGURATIONS INCLUDE ALL ITEMS, SEE NOTES IN TABLE)

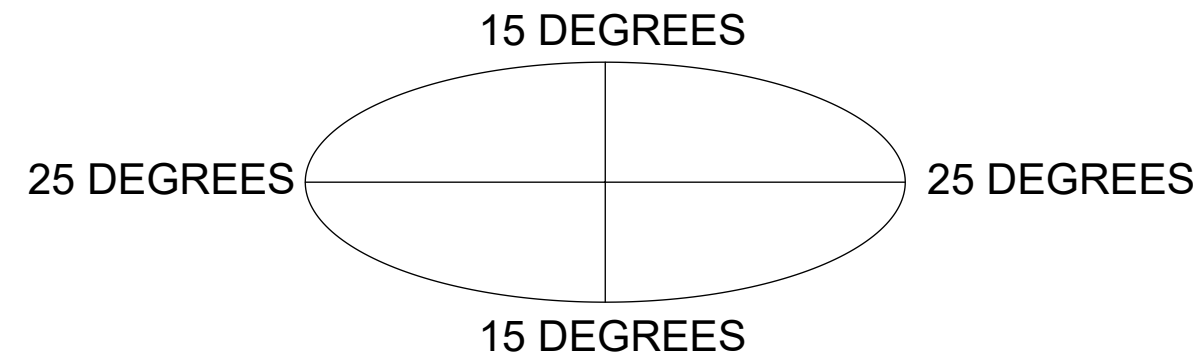
COMPONENT PART NUMBERS PROVIDED FOR ASSEMBLY PURPOSES;
INDIVIDUAL COMPONENTS MAY BE SHIPPED AS PARTS WITHIN AN INCLUDED KIT.

ITEM	PART NO.	DESCRIPTION	QTY.	WEIGHT	NOTE NO.
1	SFG2270	BACK VERTICAL ARM MOUNT	1	36.96 LBS	
2	SFG2292-00	WELDMENT, V-ARM, SECTOR FRAME 22	2	49.69 LBS	
3	SFG2380	WELDMENT, HD, TOP TAPER BRACKET	1	22.78 LBS	
4	SFG2381	WELDMENT, HD, LOWER TOWER LEG BRACKET	1	17.42 LBS	
5	SFG2289	G2 RRU BACK CLAMP, HD	2	18.65 LBS	
6	SFG2386	WELDMENT, SFG2 AZIMUTH BRACKET	1	10.07 LBS	
7	SFG2397-00	WELDMENT, G23 AZIMUTH BRACKET	1	7.94 LBS	
8	MT-382-18	5/8" X 18" THREADED ROD	8	1.43 LBS	
9	SAB01	FORMED CLAMP	4	1.35 LBS	
10	XAU01	ANGLE, CROSSOVER, 1.9-3.5" X 1.9-3.5" OD	4	2.98 LBS	
11	MT-379-8	1/2" X 8" GALV THREADED ROD	4	0.45 LBS	
12	XP-R	CROSSOVER PLATE, ROUND, UP TO 3.5" OD	2	6.20 LBS	
13	XP-2525	CROSSOVER PLATE KIT, 2-7/8 OD X 2-7/8 OD	8	8.37 LBS	PART NO. AND QTY SEE INDIVIDUAL DRAWING
14	GUB-4240	1/2" X 2-1/2" X 4" GALV U-BOLT	2	0.56 LBS	PART NO. AND QTY SEE INDIVIDUAL DRAWING
15	GUB-4352	1/2" X 3" X 5-1/4" GALV U-BOLT	4	0.71 LBS	QTY SEE INDIVIDUAL DRAWING
16	GUB-4355	1/2" X 3-5/8" X 5" GALV U-BOLT	3	0.71 LBS	
17	GB-05225	5/8" X 2-1/4" GALV BOLT KIT	14	0.28 LBS	
18	GN-05	5/8" GALV HEX NUT	24	0.08 LBS	
19	GWL-05	5/8" GALV LOCK WASHER	16	0.03 LBS	
20	GWF-05	5/8" GALV FLAT WASHER, 1.7OD	2	0.06 LBS	
21	GB-04145	1/2" X 1-1/2" GALV BOLT KIT	2	0.13 LBS	
22	GN-04	1/2" GALV HEX NUT	10	0.04 LBS	
23	GWL-04	1/2" GALV LOCK WASHER	10	0.01 LBS	
24	GWF-04	1/2" GALV FLAT WASHER	8	0.04 LBS	
25	MT-651-120	PIPE, 2.375"OD X 120"	2	29.07 LBS	PART NO. SEE INDIVIDUAL DRAWING
26	MT-546-150	PIPE, 2.875"OD X 150"	2	72.67 LBS	PART NO. AND QTY SEE INDIVIDUAL DRAWING
27	MT546126120	PIPE, 2.875"OD X 126"	4	37.21 LBS	PART NO. AND QTY SEE INDIVIDUAL DRAWING
28	SFG2255	LABEL, SFG22HDX	1	0.04 LBS	



SHOULD BE INSTALLED WITH UNIVERSAL
INTERFACE PLATES FACING OUTWARDS

ALLOWABLE TIEBACK ANGLE
± 15 DEGREES VERTICAL
± 25 DEGREES HORIZONTAL



COMMSCOPE, INC. OF NORTH CAROLINA

TITLE
SFG22HDX SECTOR FRAME SERIES

SIZE **C** SCALE **1:16** DOCUMENT NO. **SFG22HDX**

DRAWING	VERSION	STATUS	REVISION	SHEET 3 OF 12
	17	RE	M	

4

3

2

1

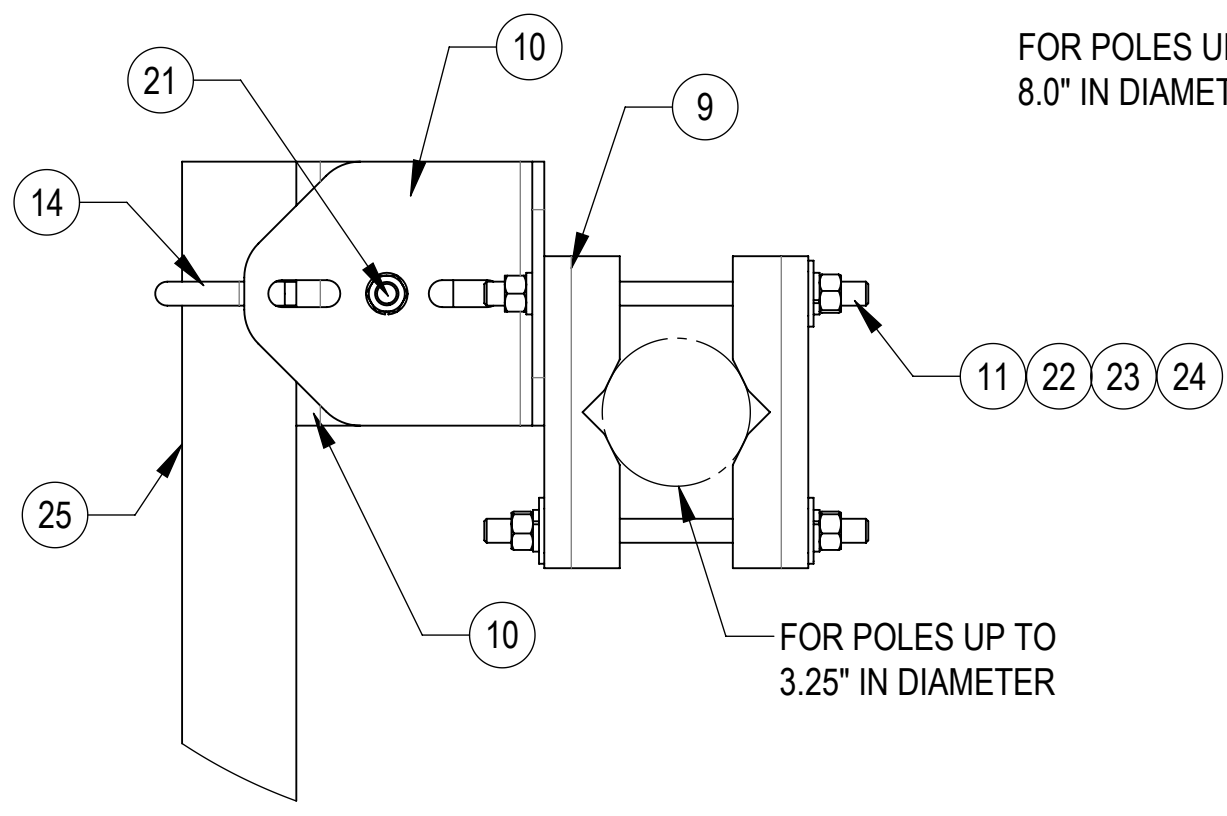
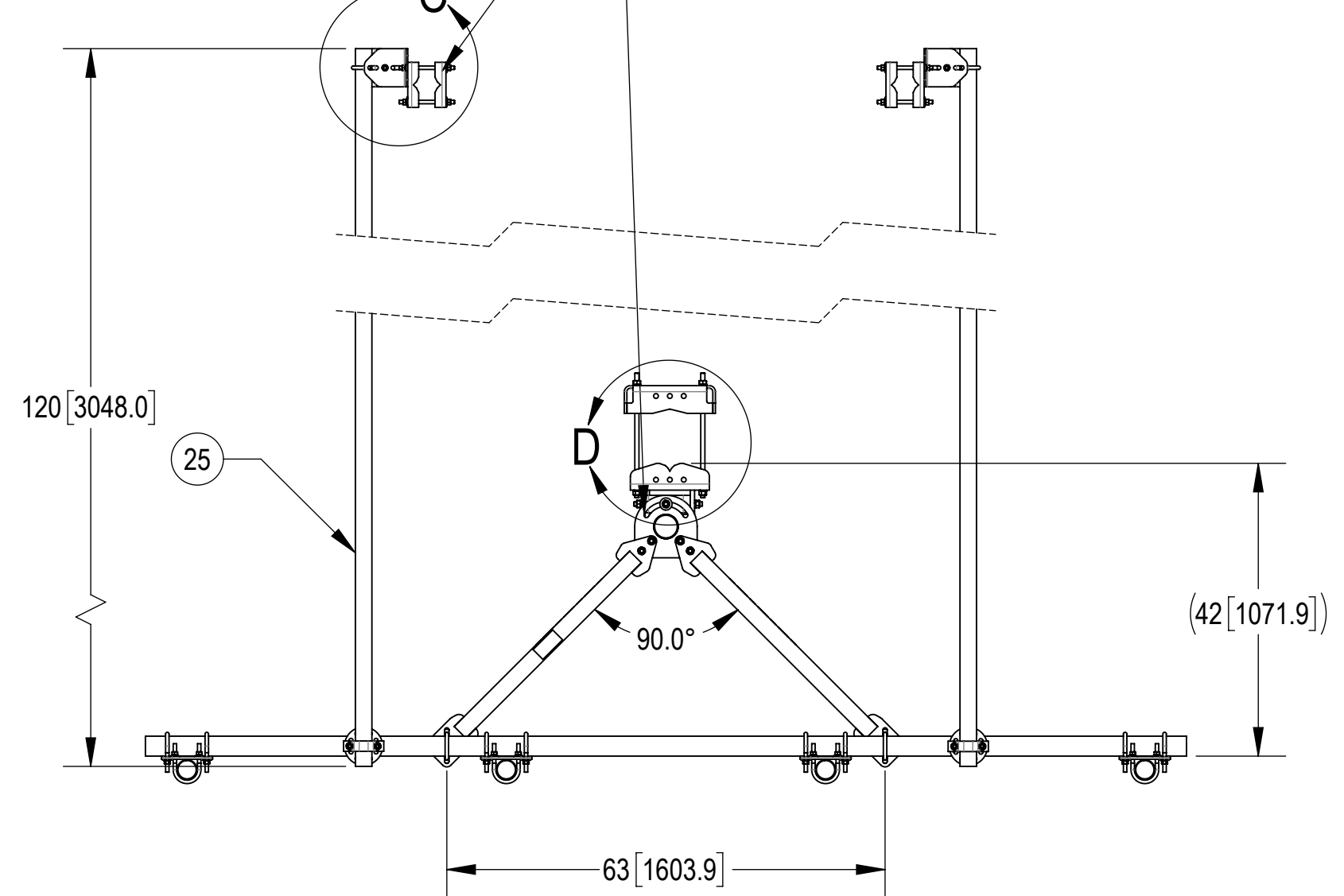
4

3

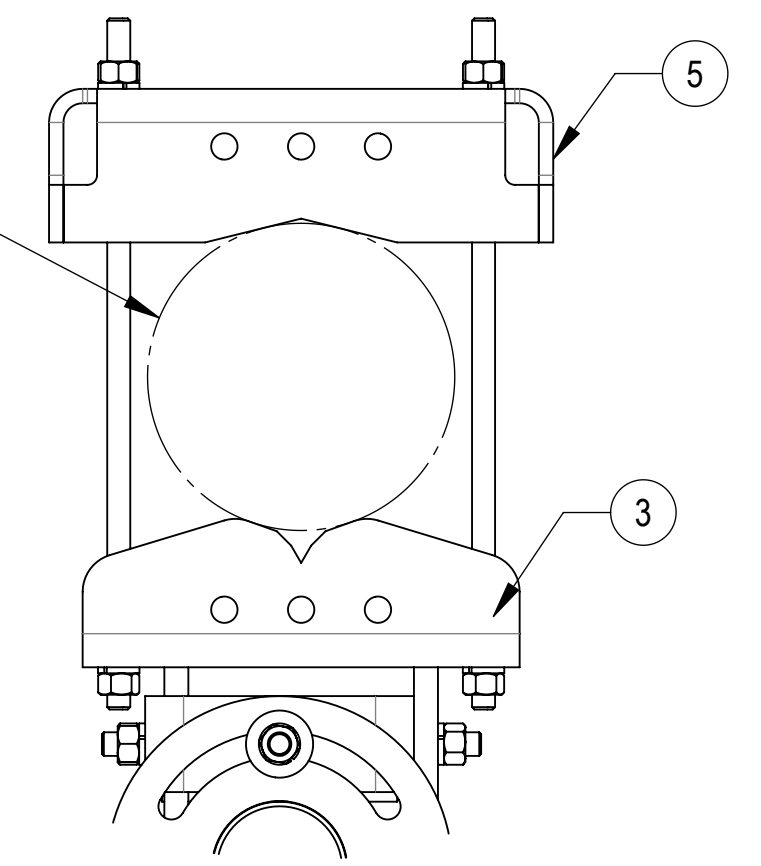
2

1

TIEBACK MUST BE CONNECTED TO A RIGID MEMBER THAT PROVIDES ADEQUATE SUPPORT WITHIN THE LIMITS NOTED IN THE TIEBACK ANGLE RANGE DETAIL. UNLESS APPROVED BY ENGINEER OF RECORD. SPINE STEM OF NEIGHBORING MOUNT IS ACCEPTABLE.



DETAIL C
SCALE 1 : 4



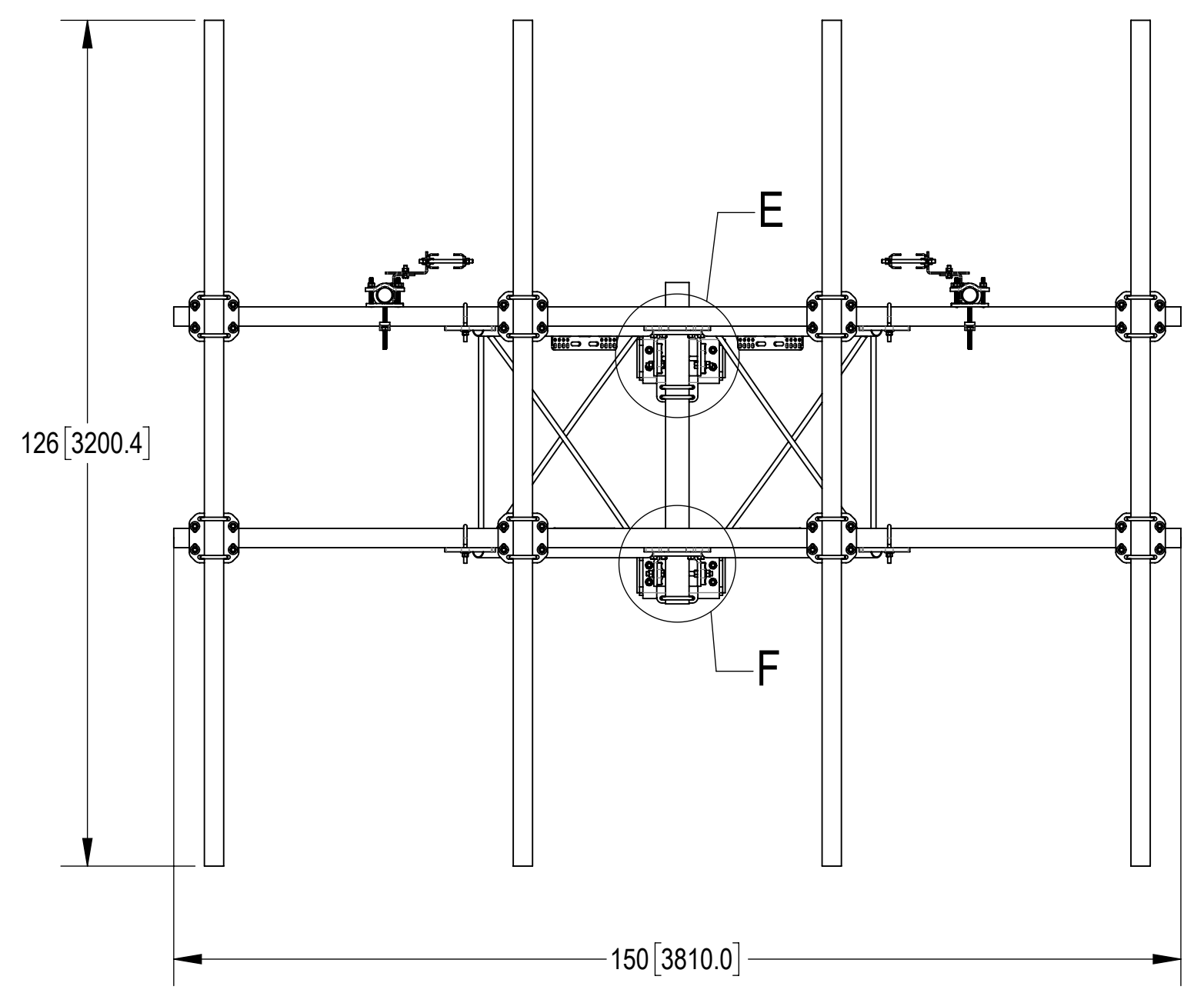
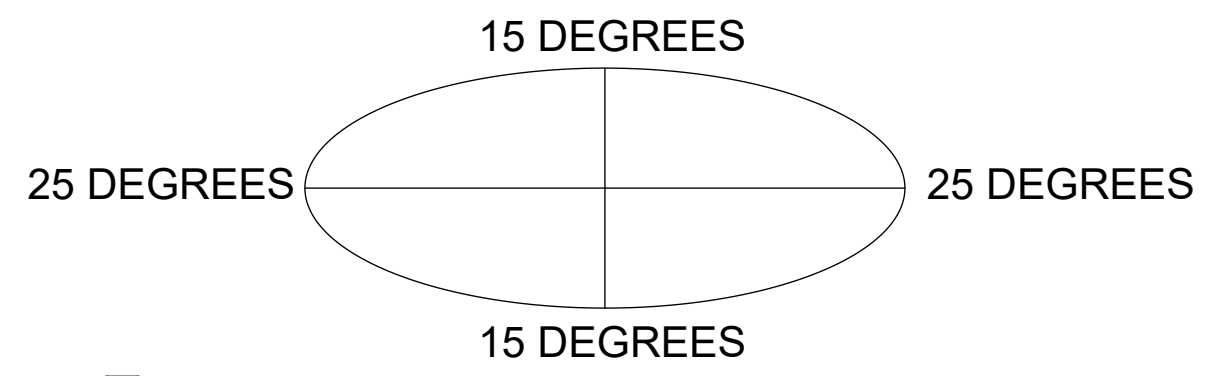
DETAIL D
SCALE 1 : 5

FOR POLES UP TO 8.0" IN DIAMETER

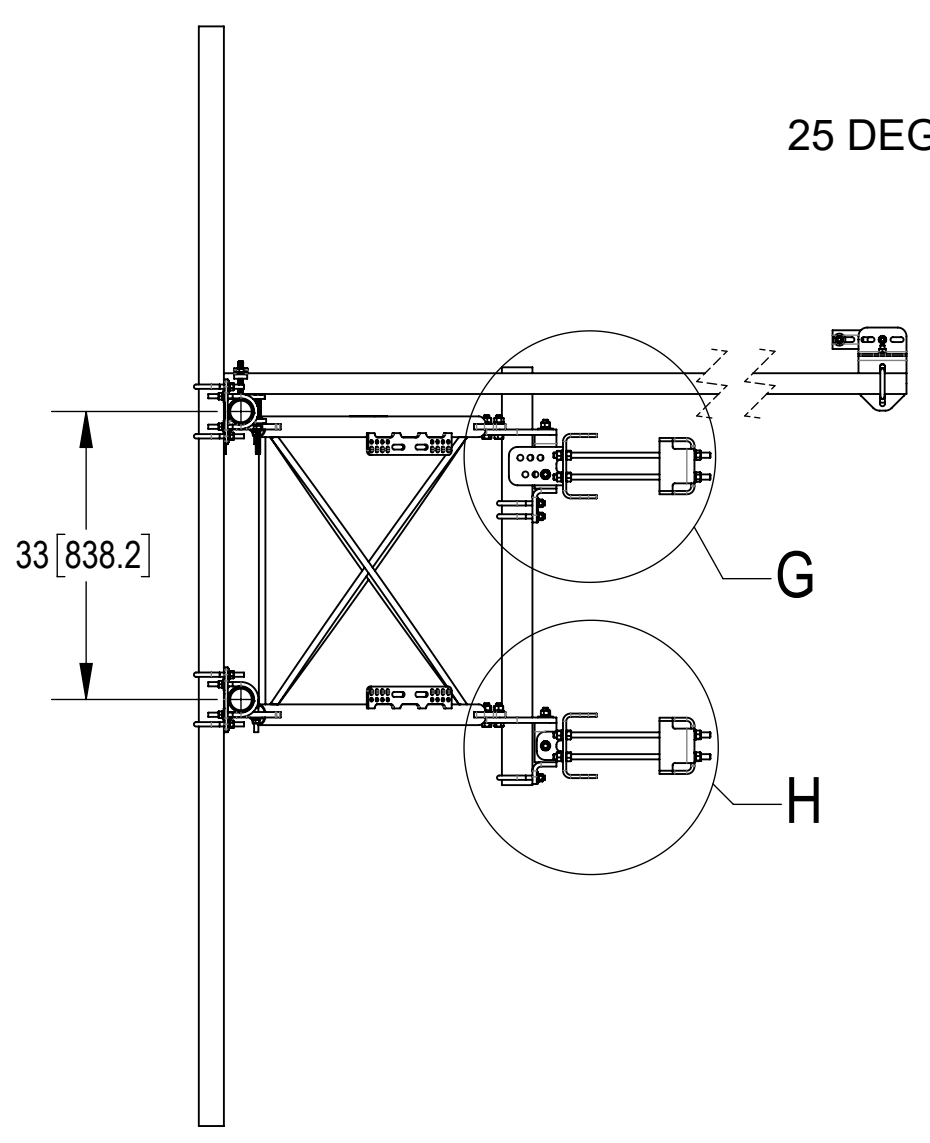
FOR POLES UP TO 3.25" IN DIAMETER

SFG22HDX-12-4-126 SHOWN FOR REFERENCE
(NOT ALL CONFIGURATIONS INCLUDE ALL ITEMS,
SEE NOTES IN TABLE ON PAGE 3)

ALLOWABLE TIEBACK ANGLE
+15 DEGREES VERTICAL
±25 DEGREES HORIZONTAL



TOP
↓
BOTTOM



COMMSCOPE, INC. OF NORTH CAROLINA				
TITLE SFG22HDX SECTOR FRAME SERIES				
SIZE C	SCALE 1:20	DOCUMENT NO. SFG22HDX		
		DRAWING		SHEET
		VERSION	STATUS	REVISION
		17	RE	M
				4 OF 12

4

3

2

1

4

3

2

1

D

D

C

C

B

B

A

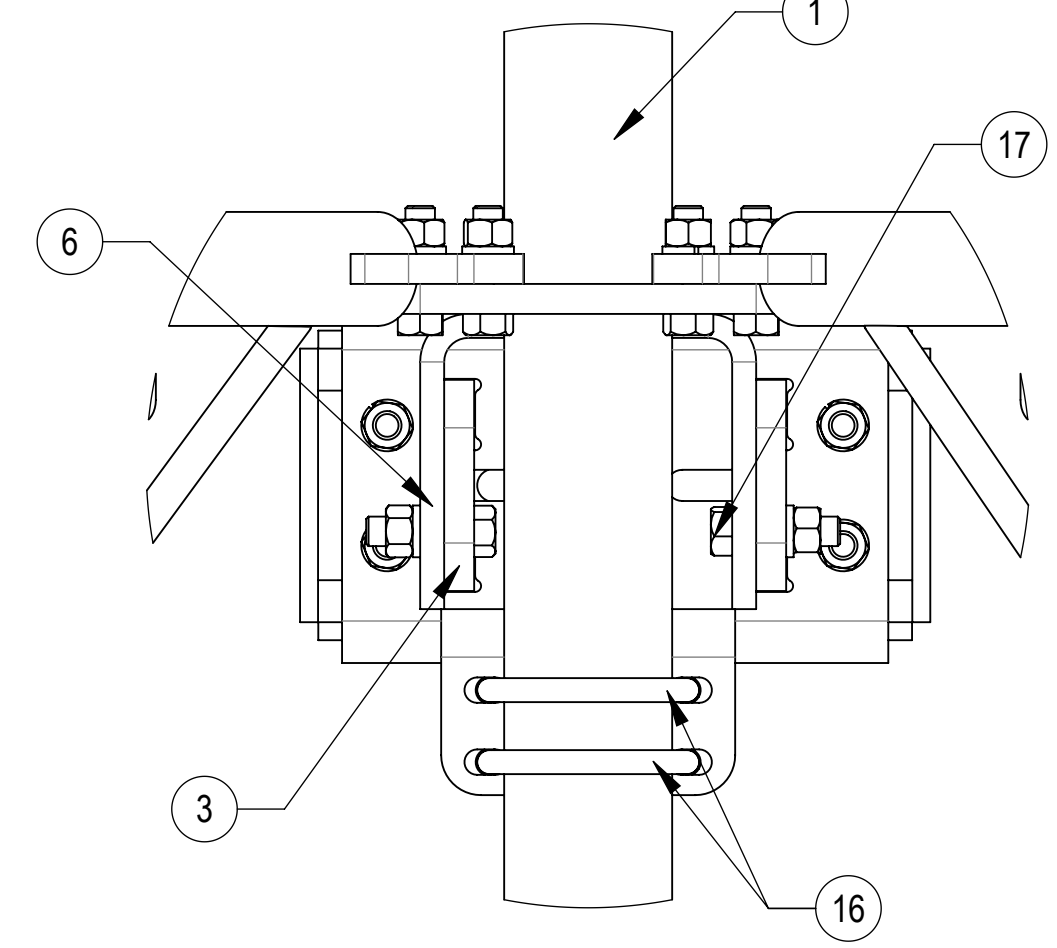
A

4

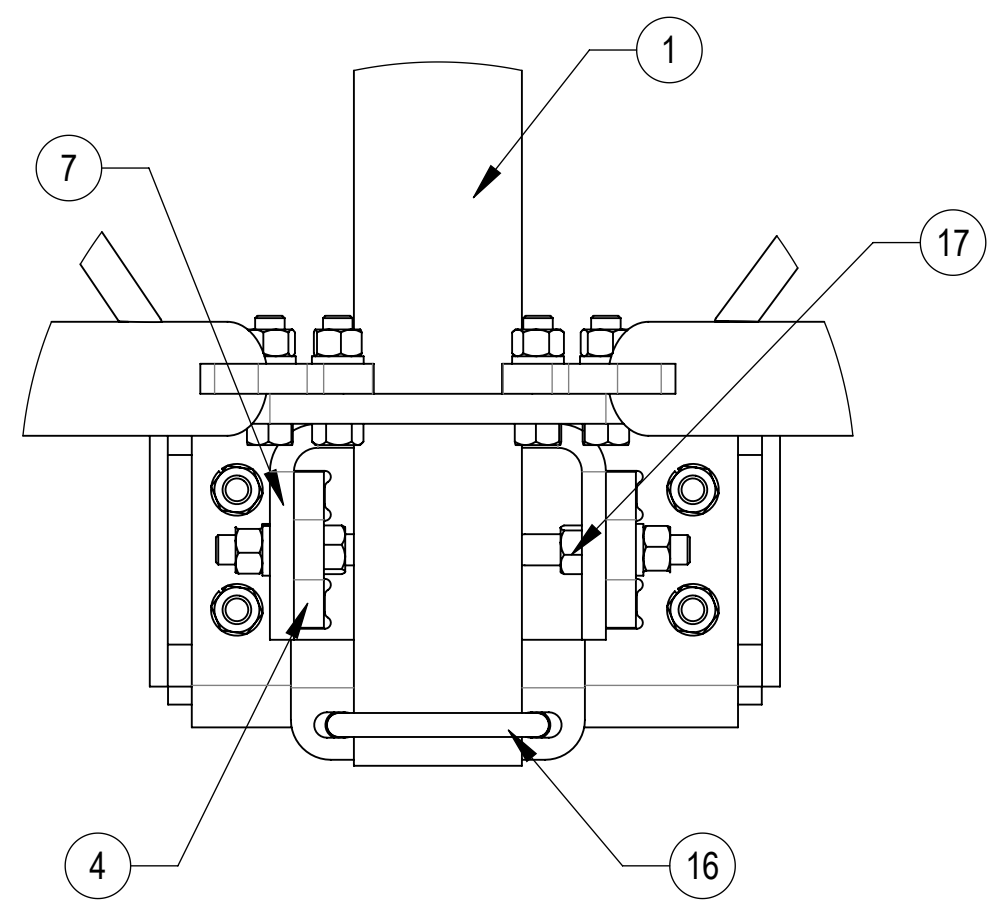
3

2

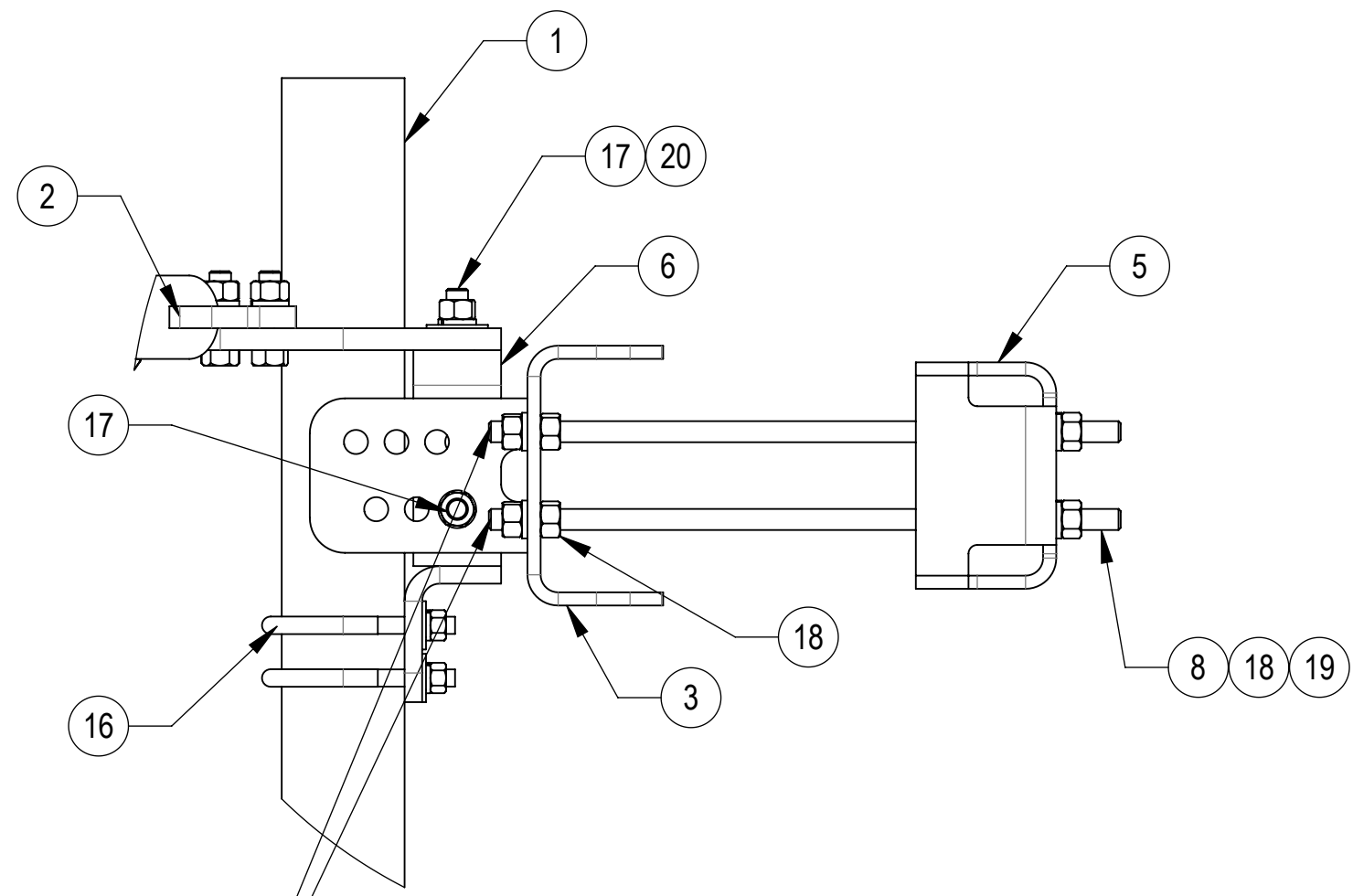
1



DETAIL E
SCALE 1 : 4

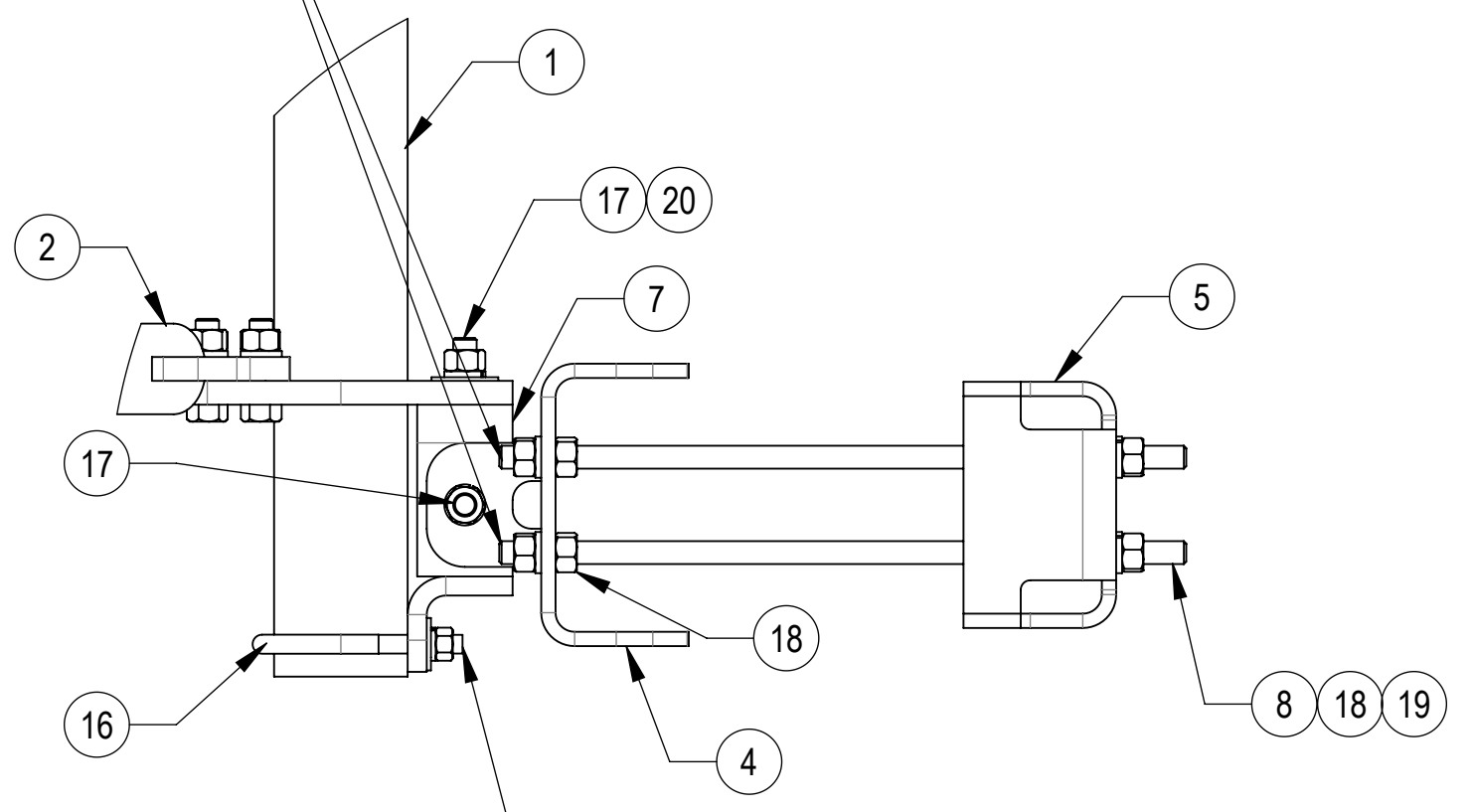


DETAIL F
SCALE 1 : 4



DETAIL G
SCALE 1 : 5

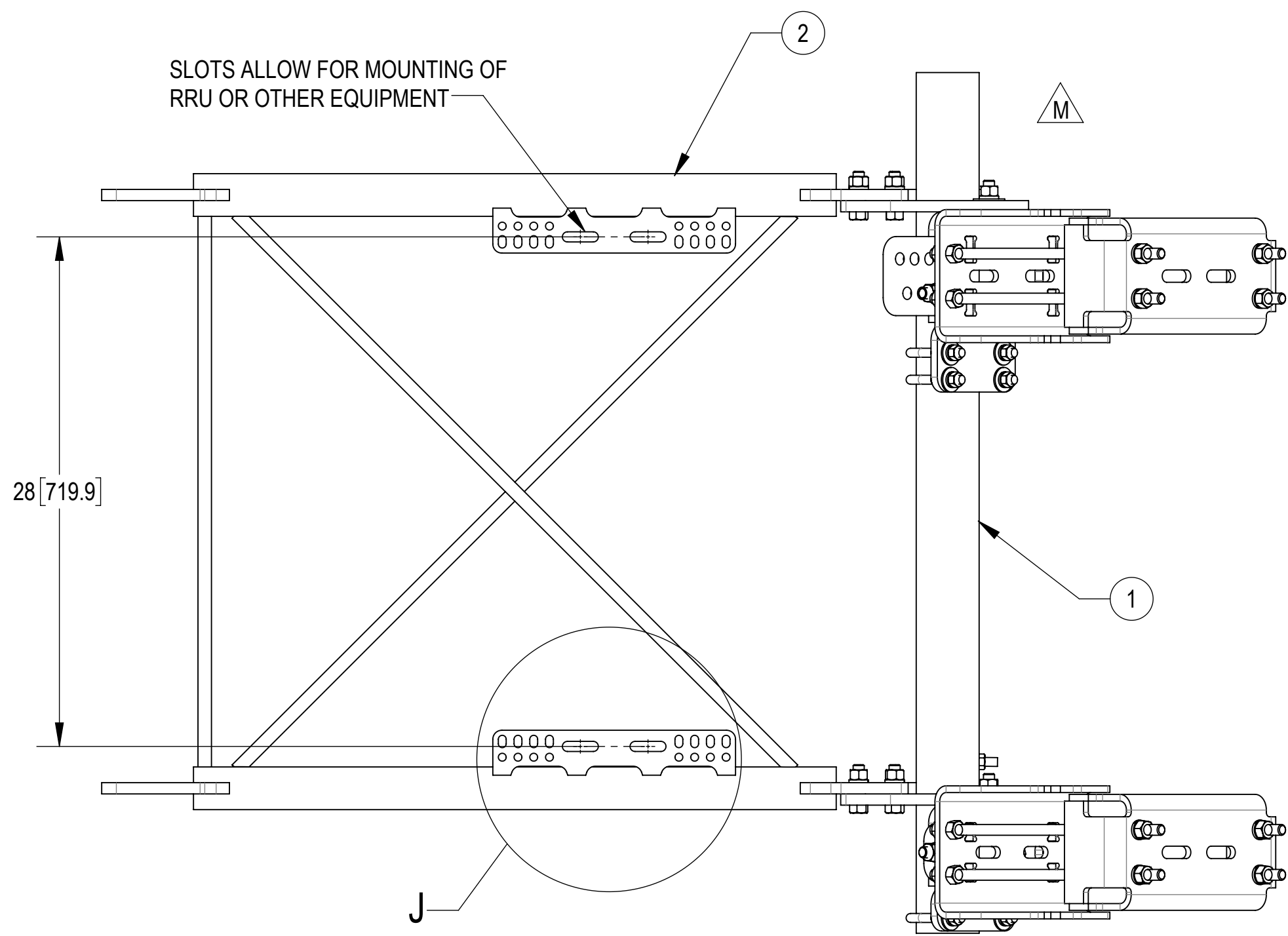
THE THREADED ROD CAN ONLY EXPOSE 4 TO 7 THREADS ON ONE SIDE OF THE BRACKET, WHICH IS TO PREVENT INTERFERENCE WITH THE SIDE BOLTS



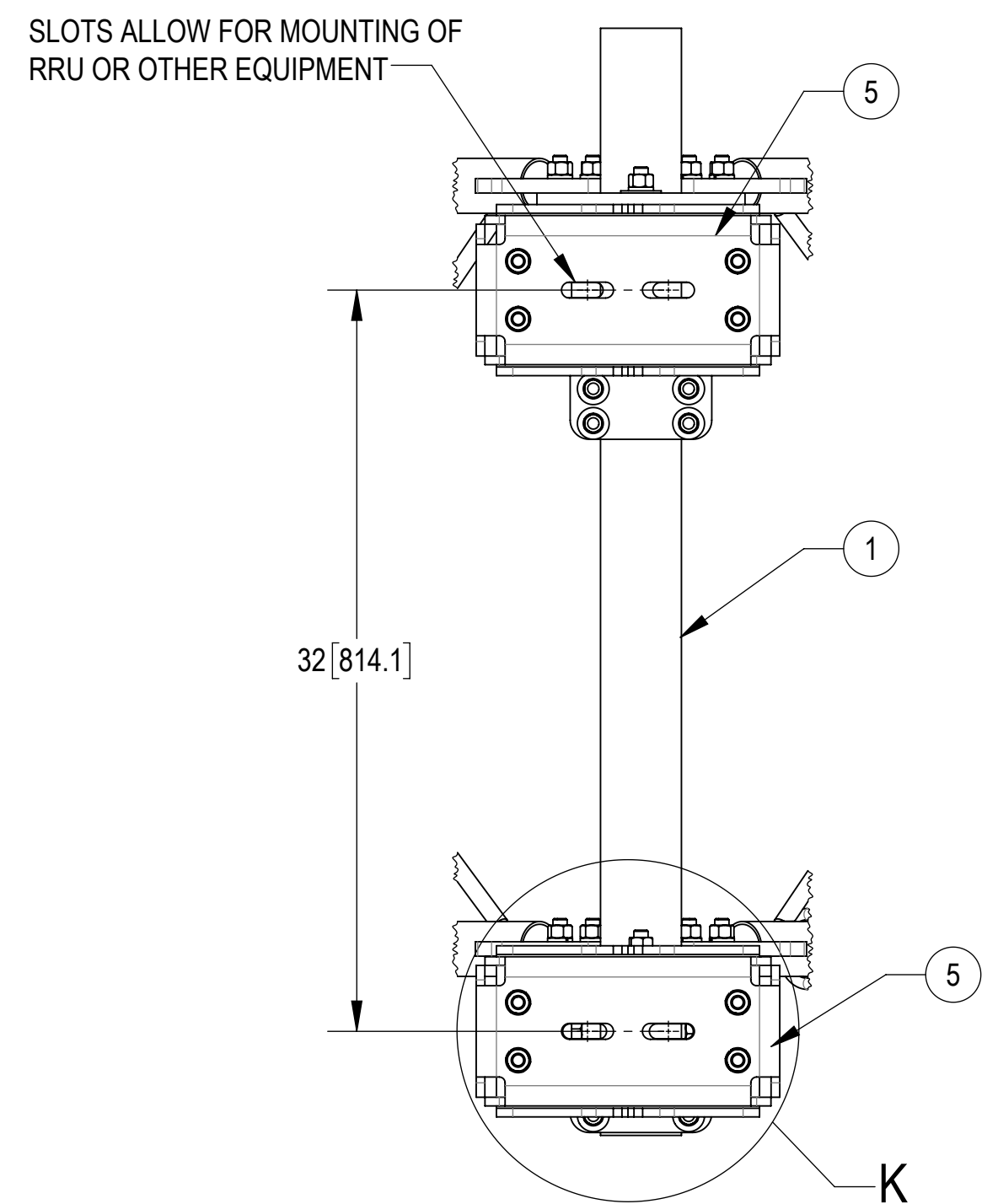
DETAIL H
SCALE 1 : 5

DO NOT OVER TIGHTEN, END OF POLE CAN BE DAMAGED

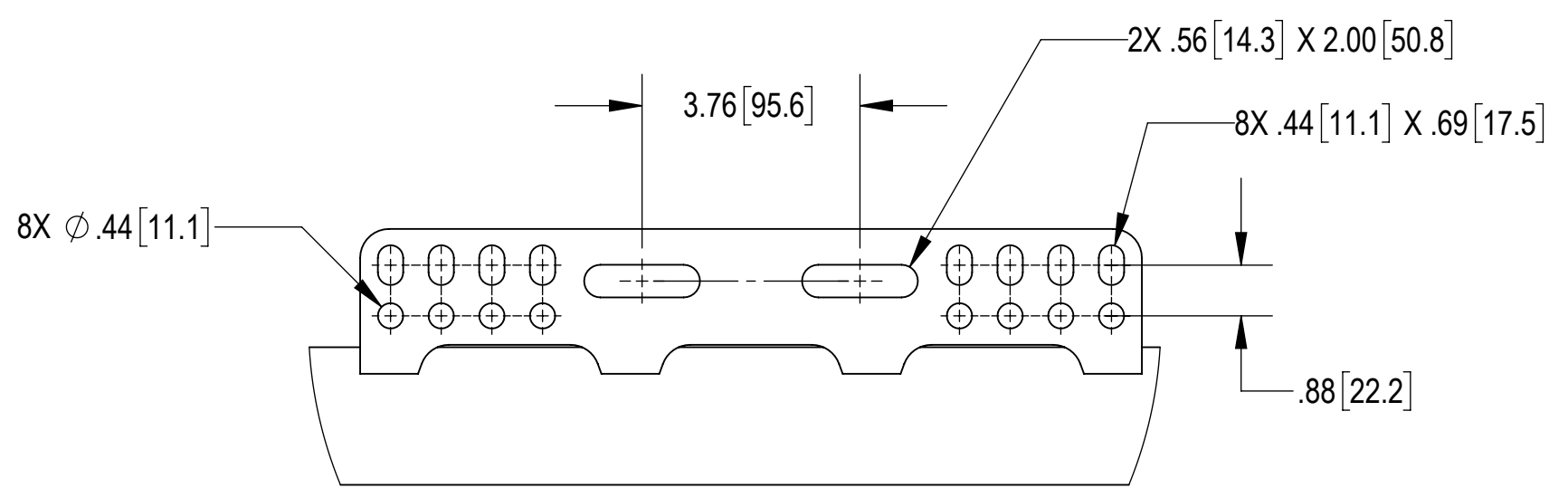
COMMSCOPE, INC. OF NORTH CAROLINA				
TITLE SFG22HDX SECTOR FRAME SERIES				
SIZE C	SCALE 1:20	DOCUMENT NO. SFG22HDX		
		DRAWING		SHEET
		VERSION	STATUS	REVISION
		17	RE	M
				5 OF 12



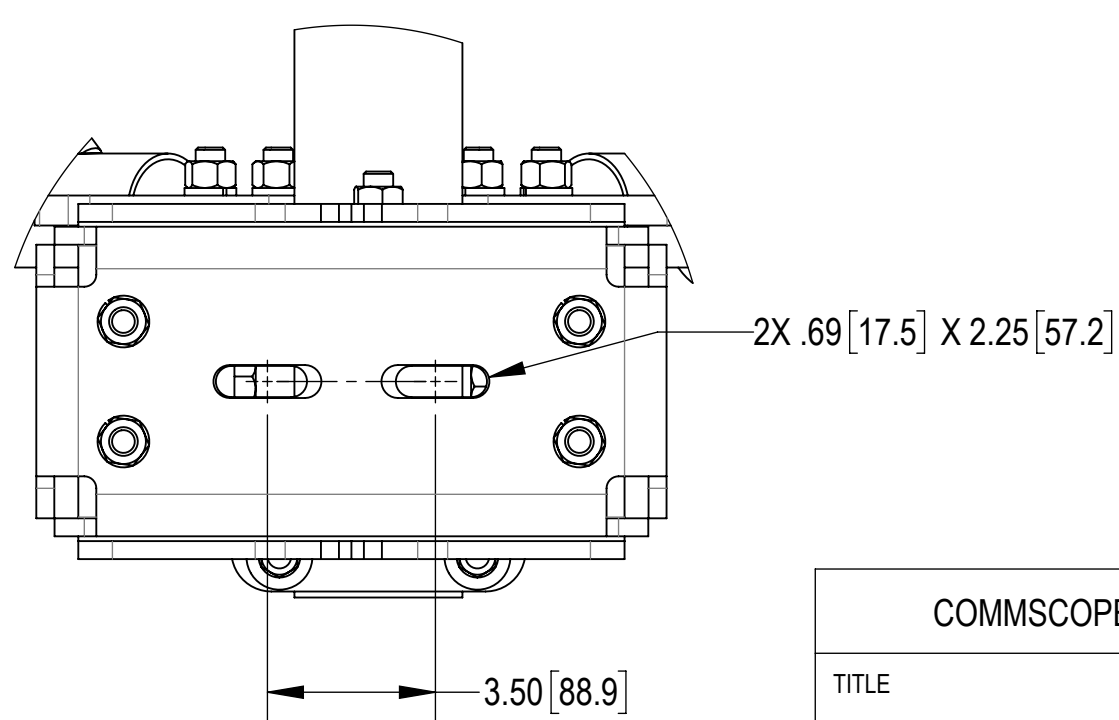
SIDE VIEW



BACK CROP VIEW



DETAIL J
SCALE 1 : 3

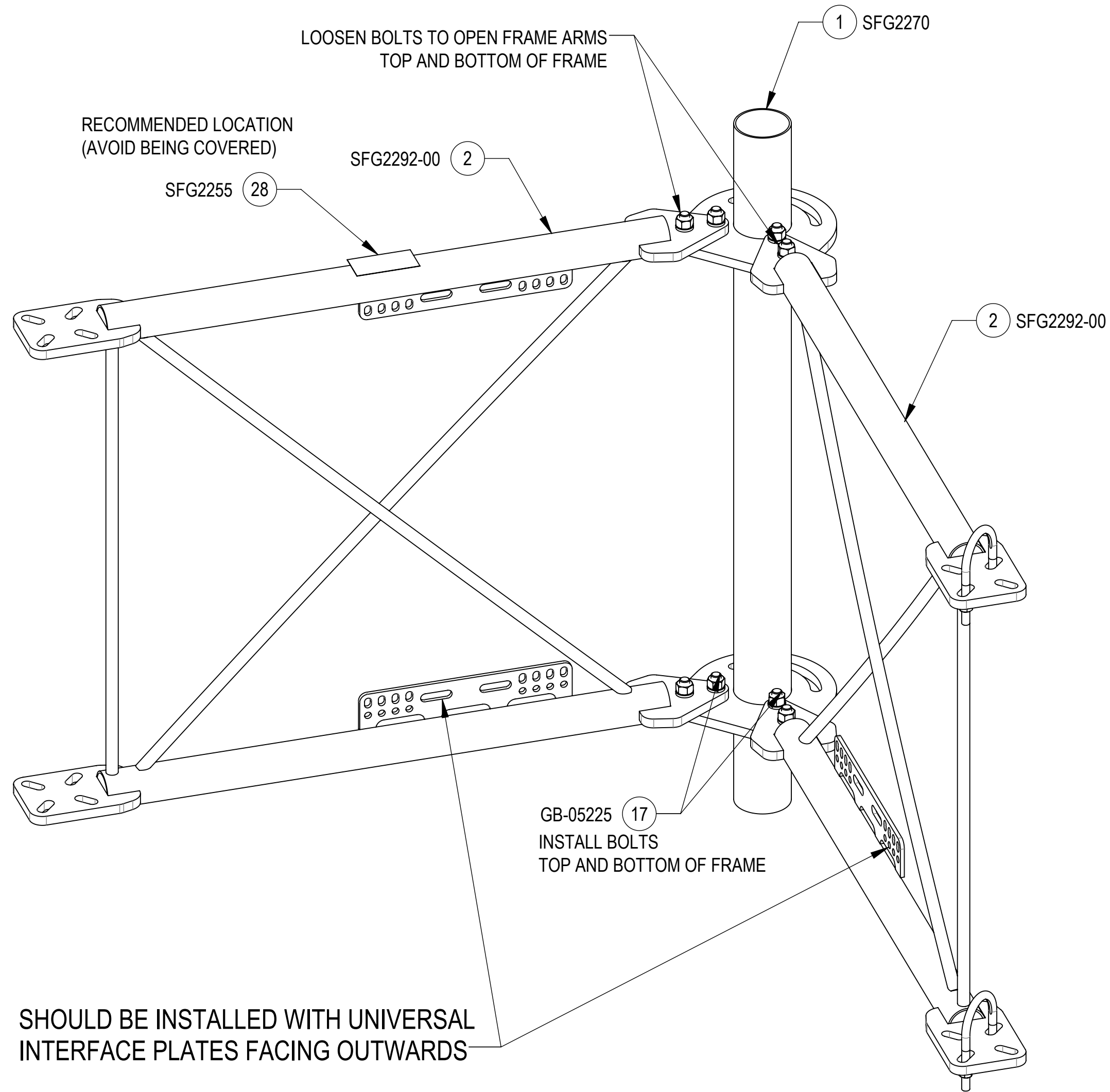


DETAIL K
SCALE 1 : 4

COMMSCOPE, INC. OF NORTH CAROLINA					
TITLE SFG22HDX SECTOR FRAME SERIES					
SIZE C	SCALE 1:6	DOCUMENT NO. SFG22HDX			
		DRAWING			SHEET
		VERSION	STATUS	REVISION	6 OF 12
		17	RE	M	

INSTALLATION SEQUENCE - REFERENCE ONLY

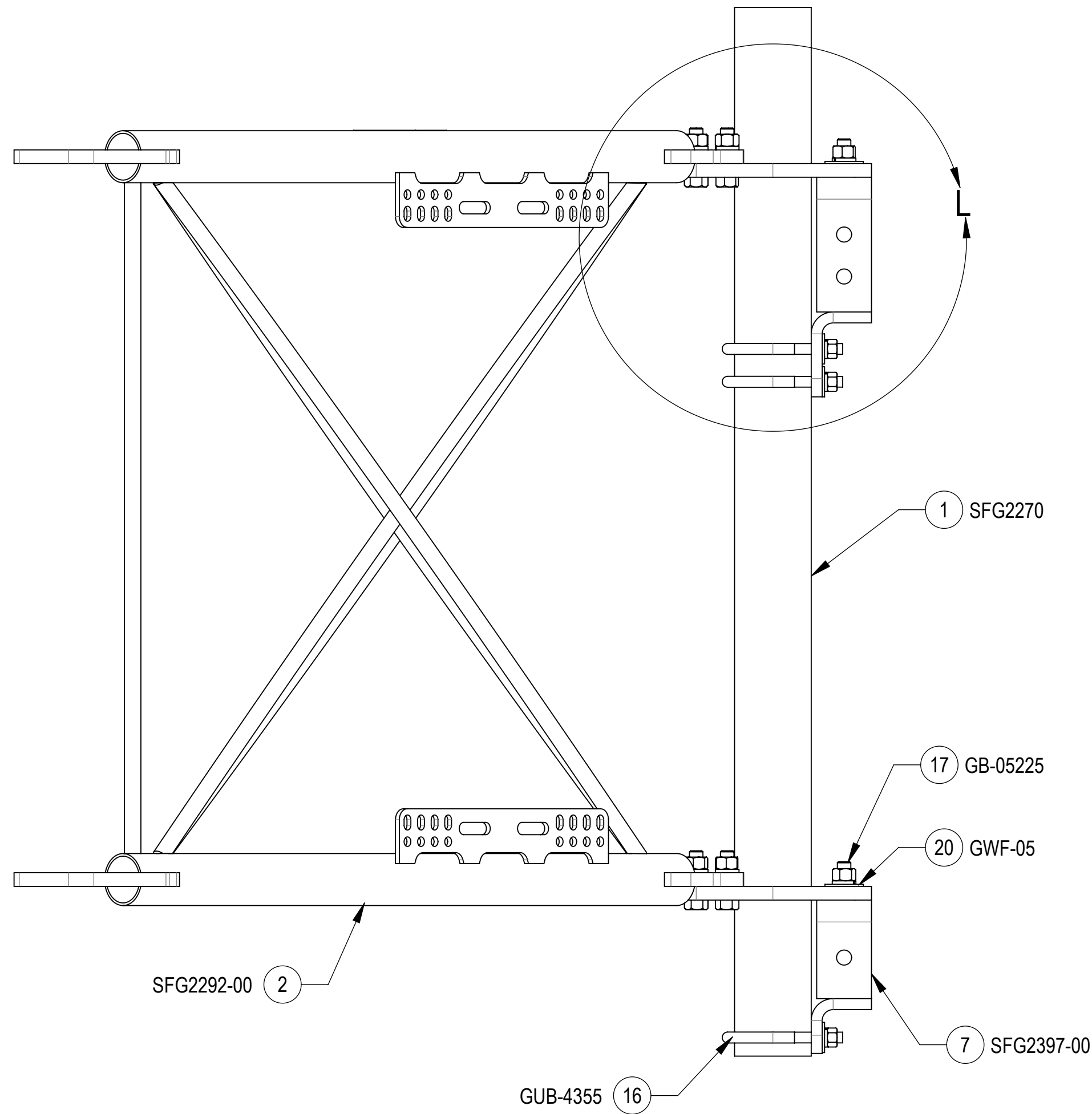
STEP 1: LOOSEN BOLT KITS (GB-05225) TO OPEN FRAME SUPPORT ARMS. INSTALL ADDITIONAL 4X BOLT KITS (GB-05225). PLACE LABEL (SFG2255) ON TOP OF STANDOFF ARMS (SFG2292-00). (WIPE GALVANIZED SURFACE WITH ALCOHOL CLEANER BEFORE APPLYING LABEL).



TOP
↓
BOTTOM

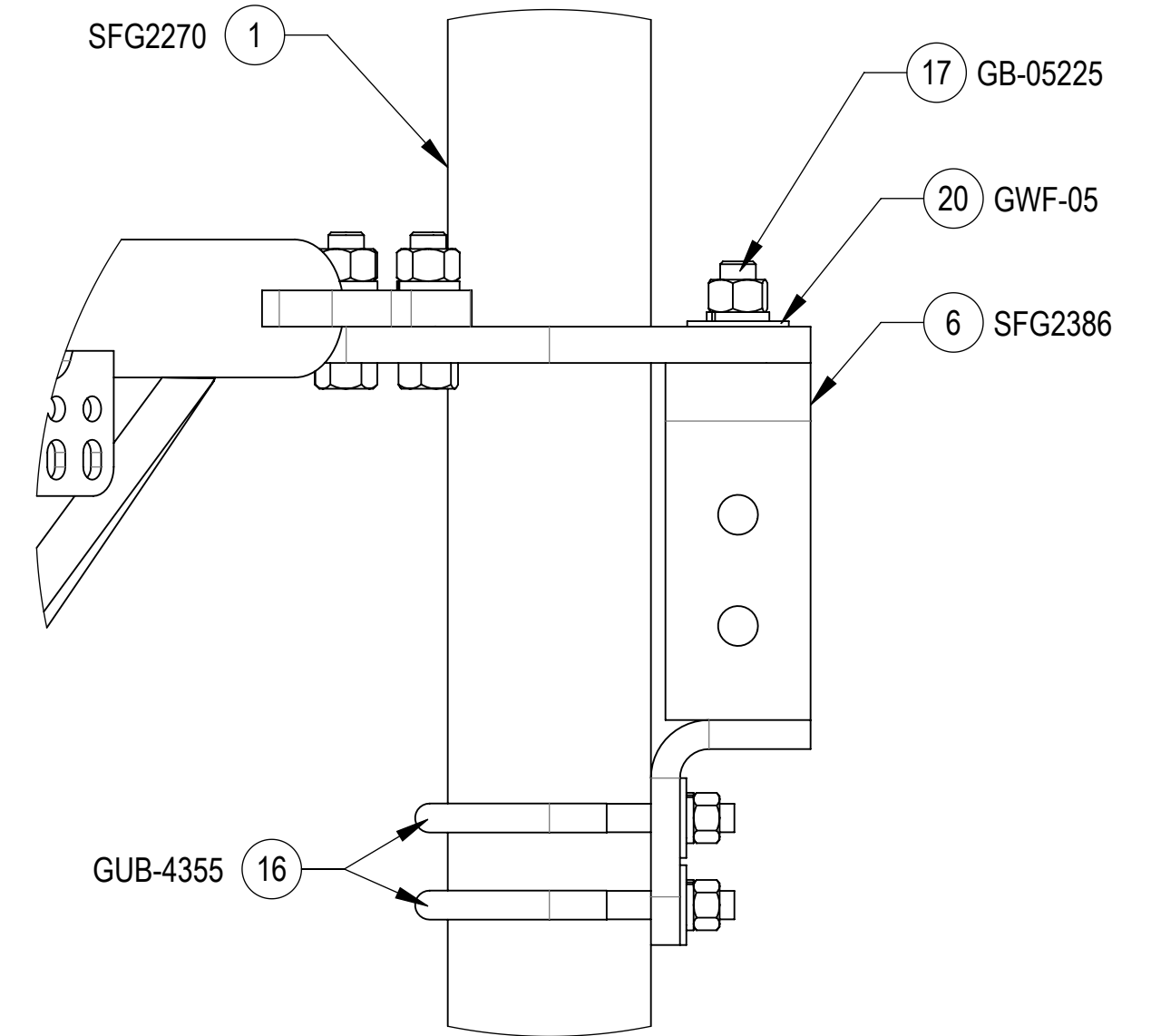
COMMSCOPE, INC. OF NORTH CAROLINA				
TITLE SFG22HDX SECTOR FRAME SERIES				
SIZE C	SCALE 1:4	DOCUMENT NO. SFG22HDX		
		DRAWING		SHEET
		VERSION	STATUS	REVISION
		17	RE	M
				7 OF 12

STEP 2: AT TOP, ATTACH AZIMUTH BRACKET (SFG2386) TO BACK VERTICAL ARM MOUNT (SFG2270) USING BOLT KITS (GB-05225), U-BOLTS (GUB-4355) AND FLAT WASHERS (GWF-05).
 AT BOTTOM, ATTACH AZIMUTH BRACKET (SFG2397-00) TO BACK VERTICAL ARM MOUNT (SFG2270) USING BOLT KITS (GB-05225), U-BOLTS (GUB-4355) AND FLAT WASHERS (GWF-05).



SIDE VIEW

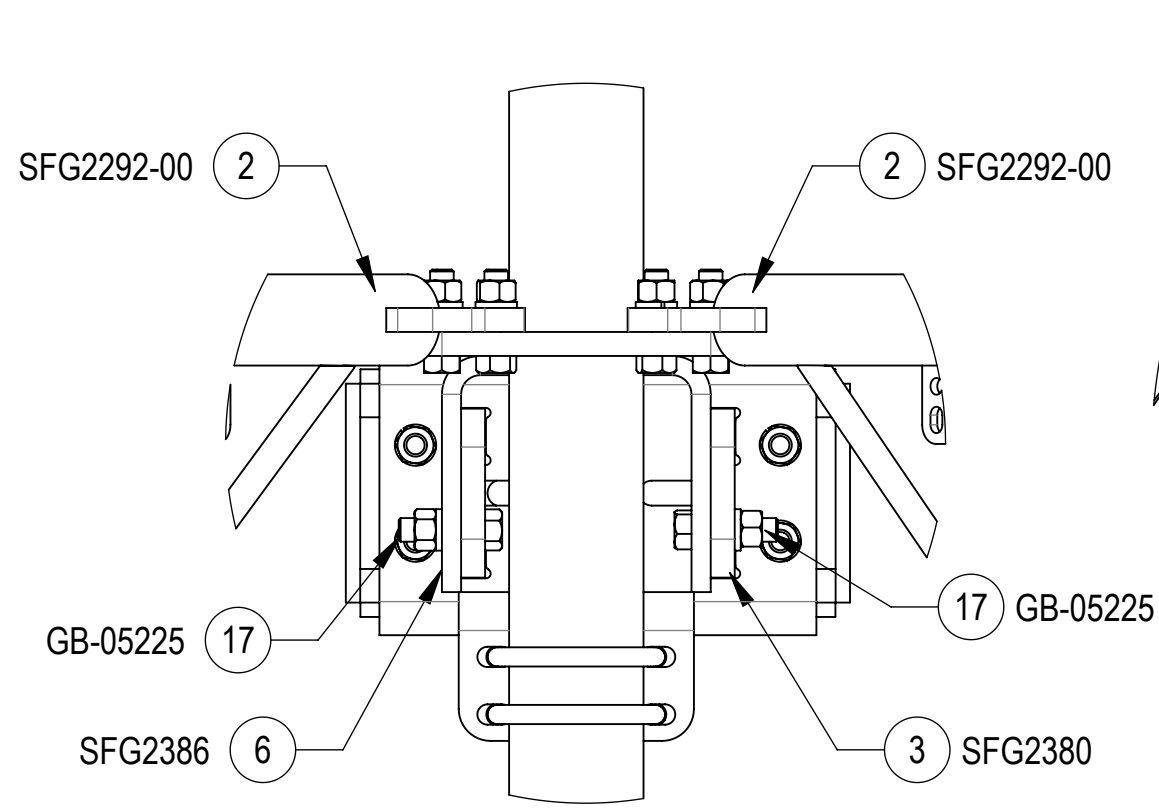
TOP
 ↓
 BOTTOM



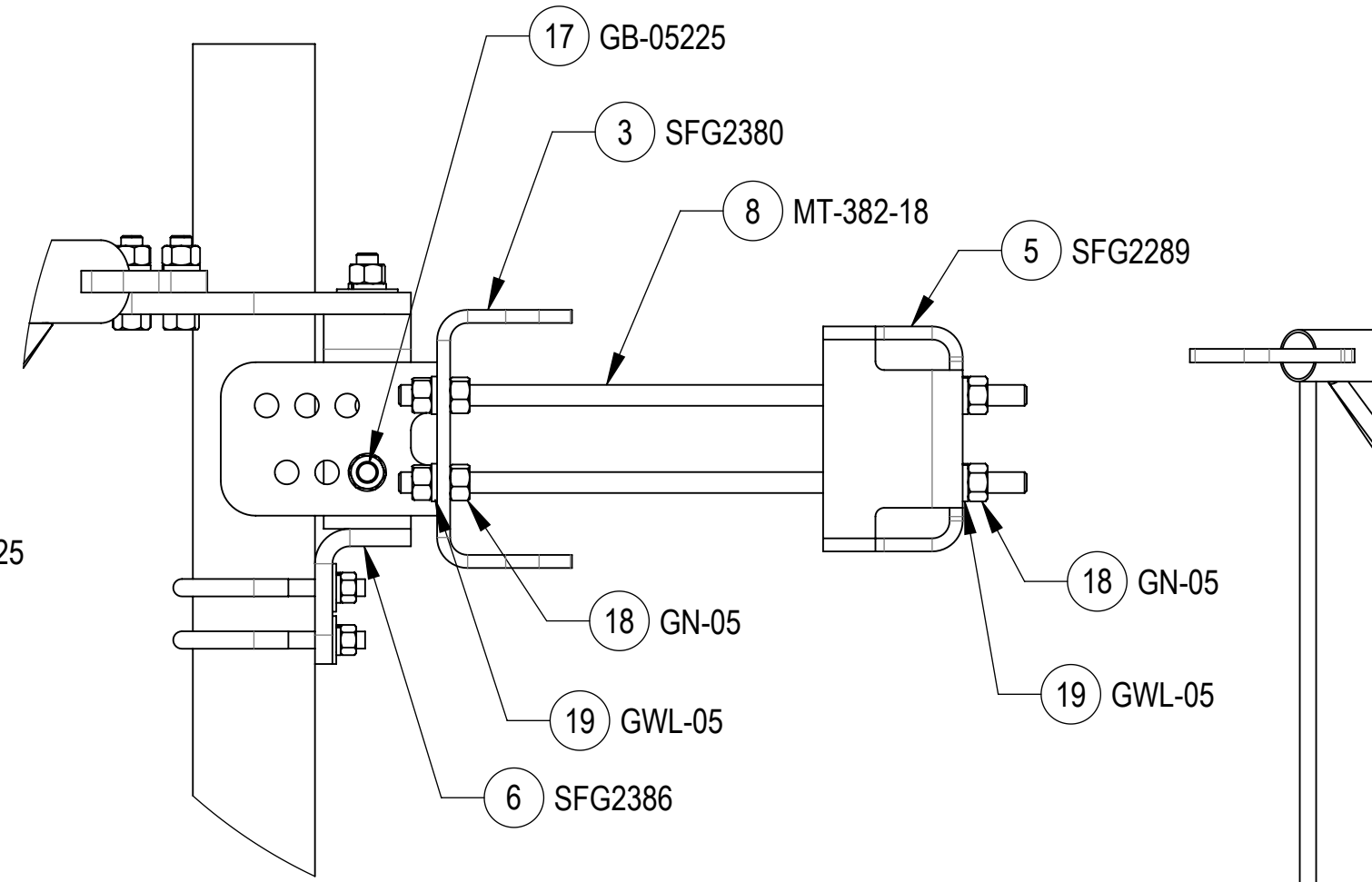
DETAIL L
 SCALE 1:3

COMMSCOPE, INC. OF NORTH CAROLINA				
TITLE SFG22HDX SECTOR FRAME SERIES				
SIZE C	SCALE 1:6	DOCUMENT NO. SFG22HDX		
		DRAWING		SHEET
		VERSION	STATUS	REVISION
		17	RE	M
				8 OF 12

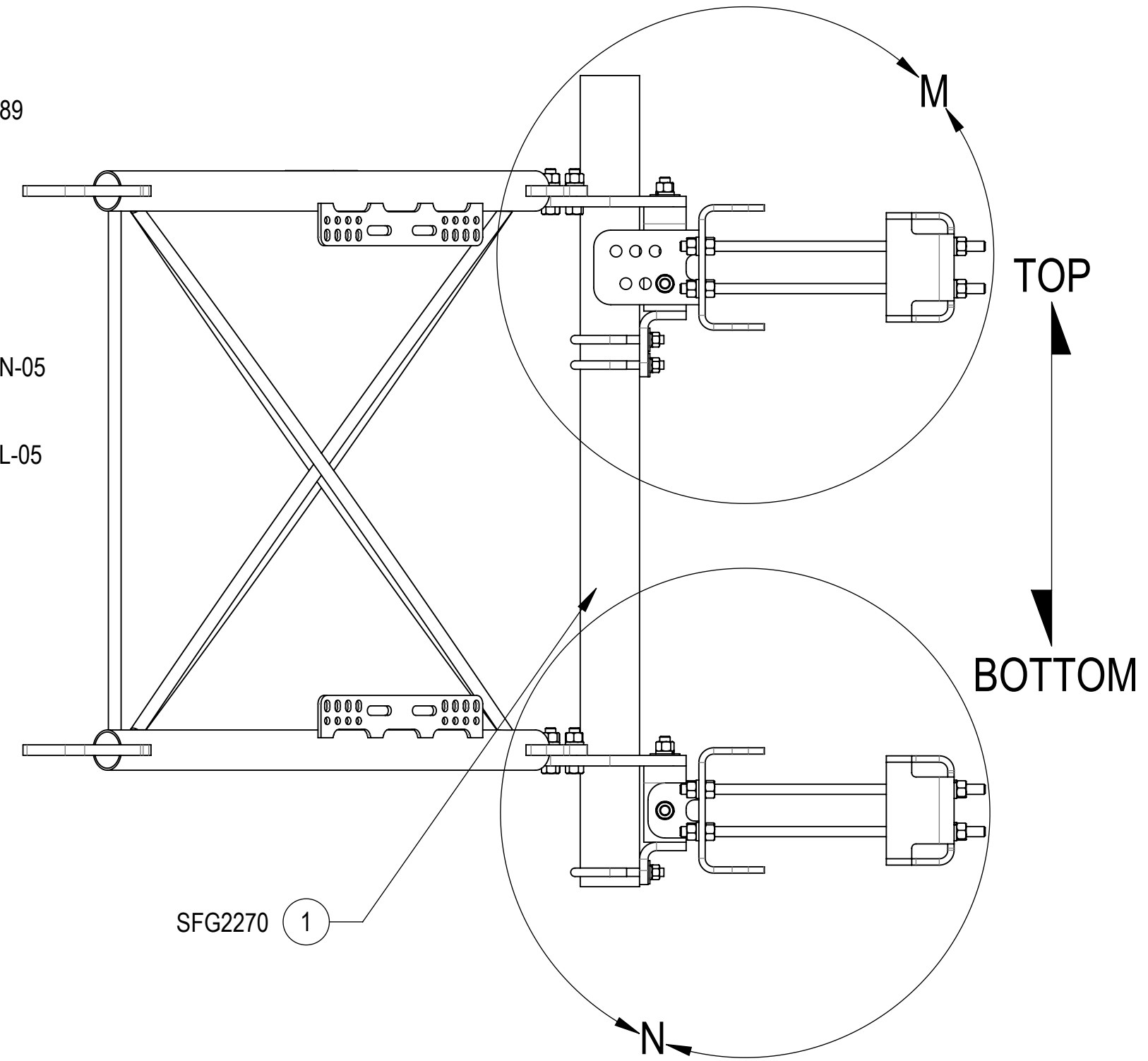
STEP 3: AT TOP, ATTACH TOP TAPER BRACKET (SFG2380) TO AZIMUTH BRACKET (SFG2386) USING BOLT KITS (GB-05225);
 AT BOTTOM, ATTACH LOWER TOWER LEG BRACKET (SFG2381) TO AZIMUTH BRACKET (SFG2397-00) USING BOLT KITS (GB-05225).



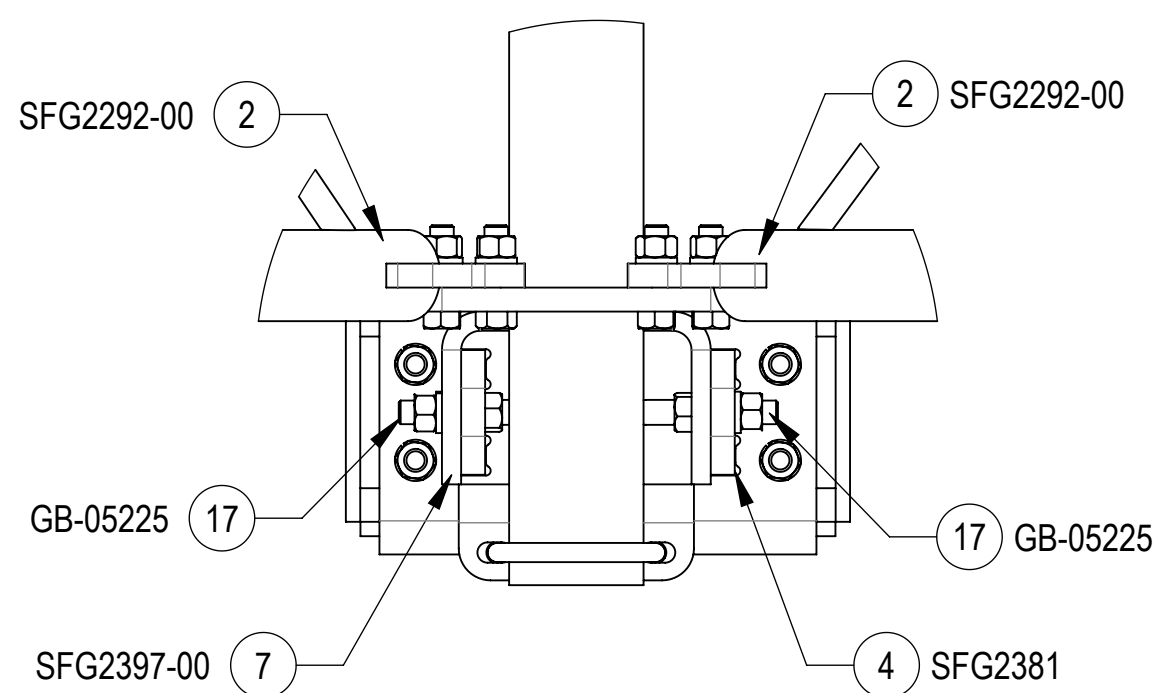
DETAIL ISO TOP ROTATED VIEW
 SCALE 1 : 5



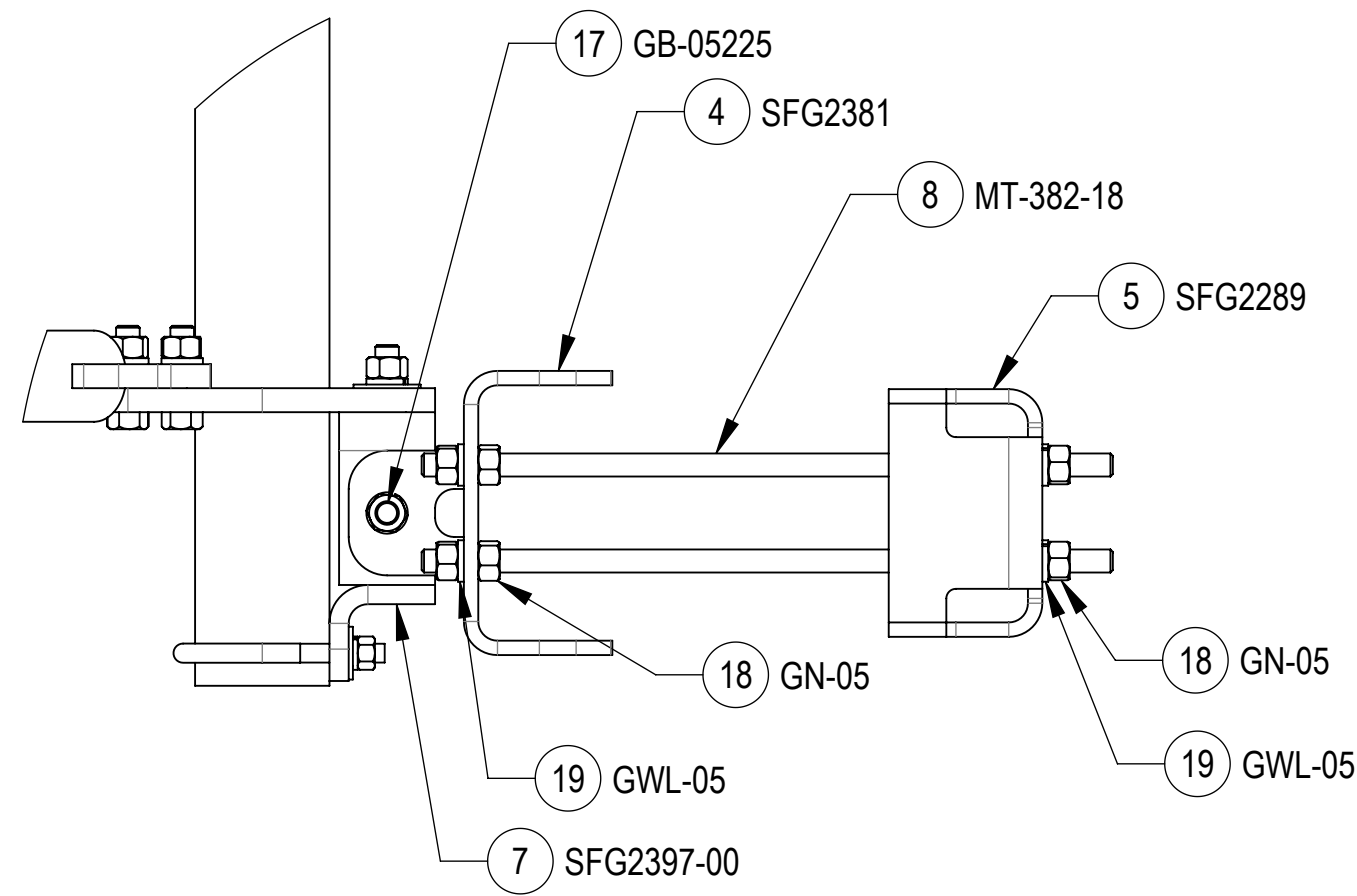
DETAIL M
 SCALE 1 : 5



SIDE VIEW



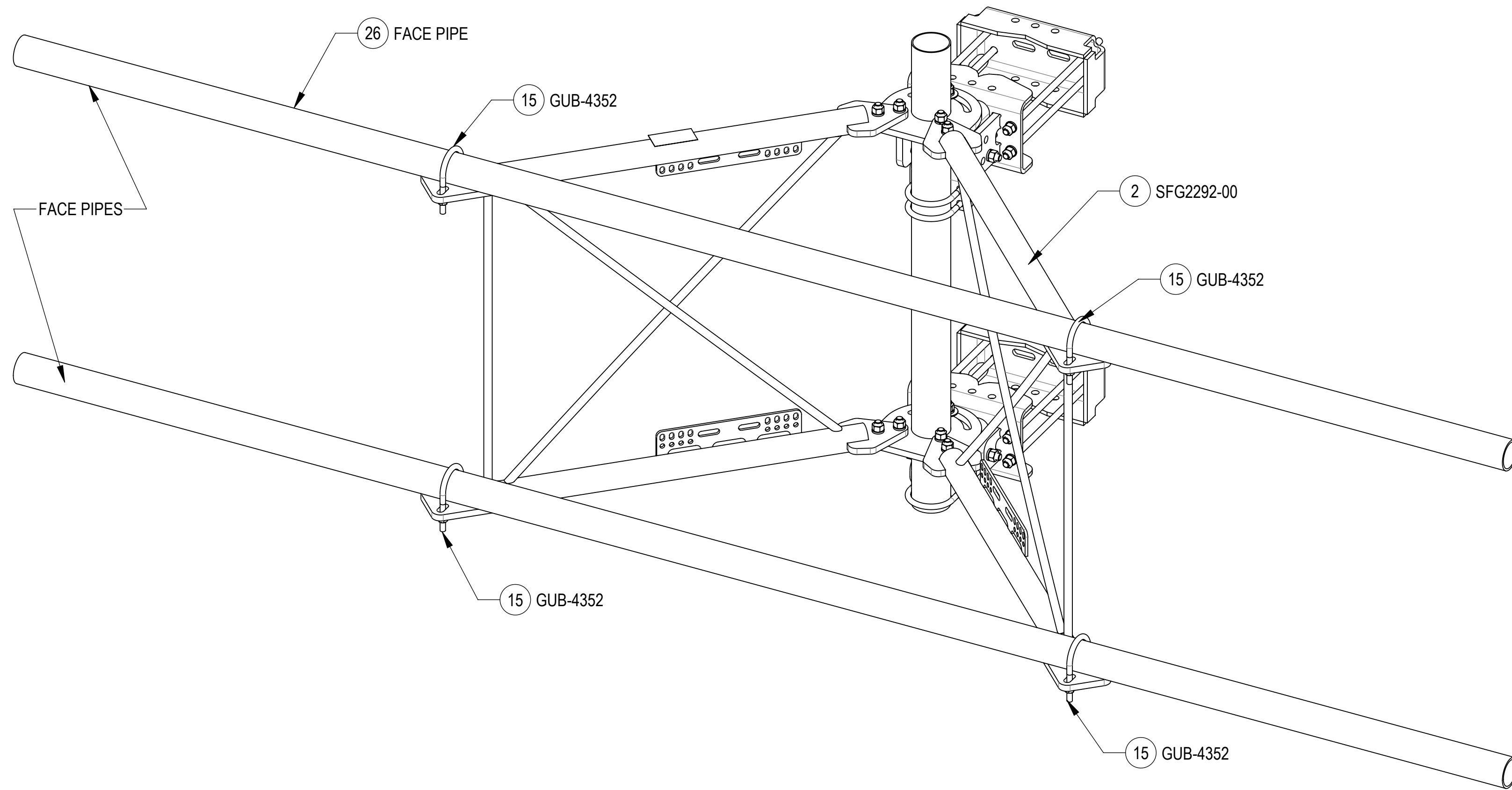
DETAIL ISO BOTTOM ROTATED VIEW
 SCALE 1 : 5




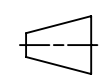
DETAIL N
 SCALE 1 : 5

COMMSCOPE, INC. OF NORTH CAROLINA					
TITLE SFG22HDX SECTOR FRAME SERIES					
SIZE C	SCALE 1:8	DOCUMENT NO. SFG22HDX			
		DRAWING			SHEET 9 OF 12
		VERSION 17	STATUS RE	REVISION M	

STEP 4: ATTACH FACE PIPES TO STANDOFF ARMS (SFG2292-00) USING U-BOLTS (GUB-4352)



ISO VIEW

COMMSCOPE, INC. OF NORTH CAROLINA					
TITLE SFG22HDX SECTOR FRAME SERIES					
SIZE C	SCALE 1:8	DOCUMENT NO. SFG22HDX			
 		DRAWING			SHEET 10 OF 12
		VERSION 17	STATUS RE	REVISION M	

4

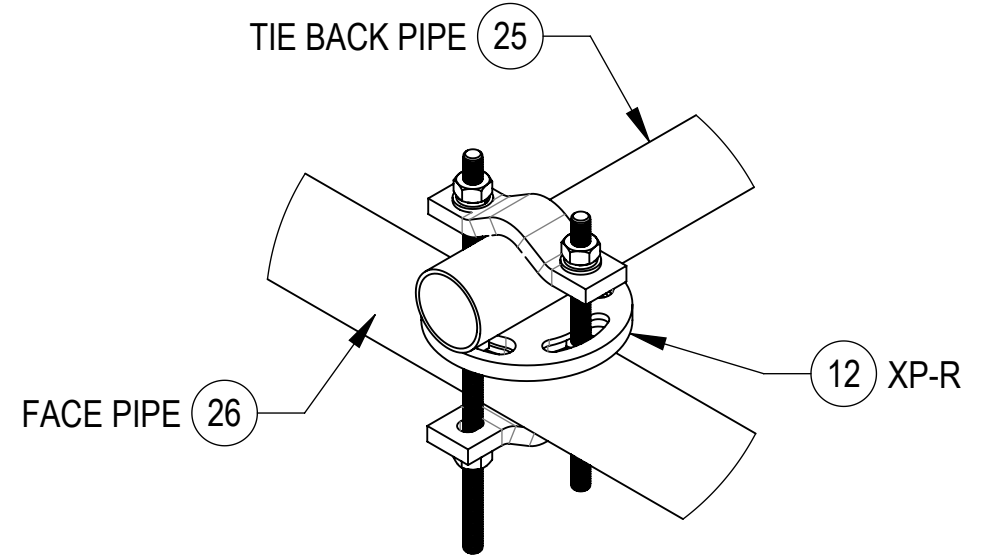
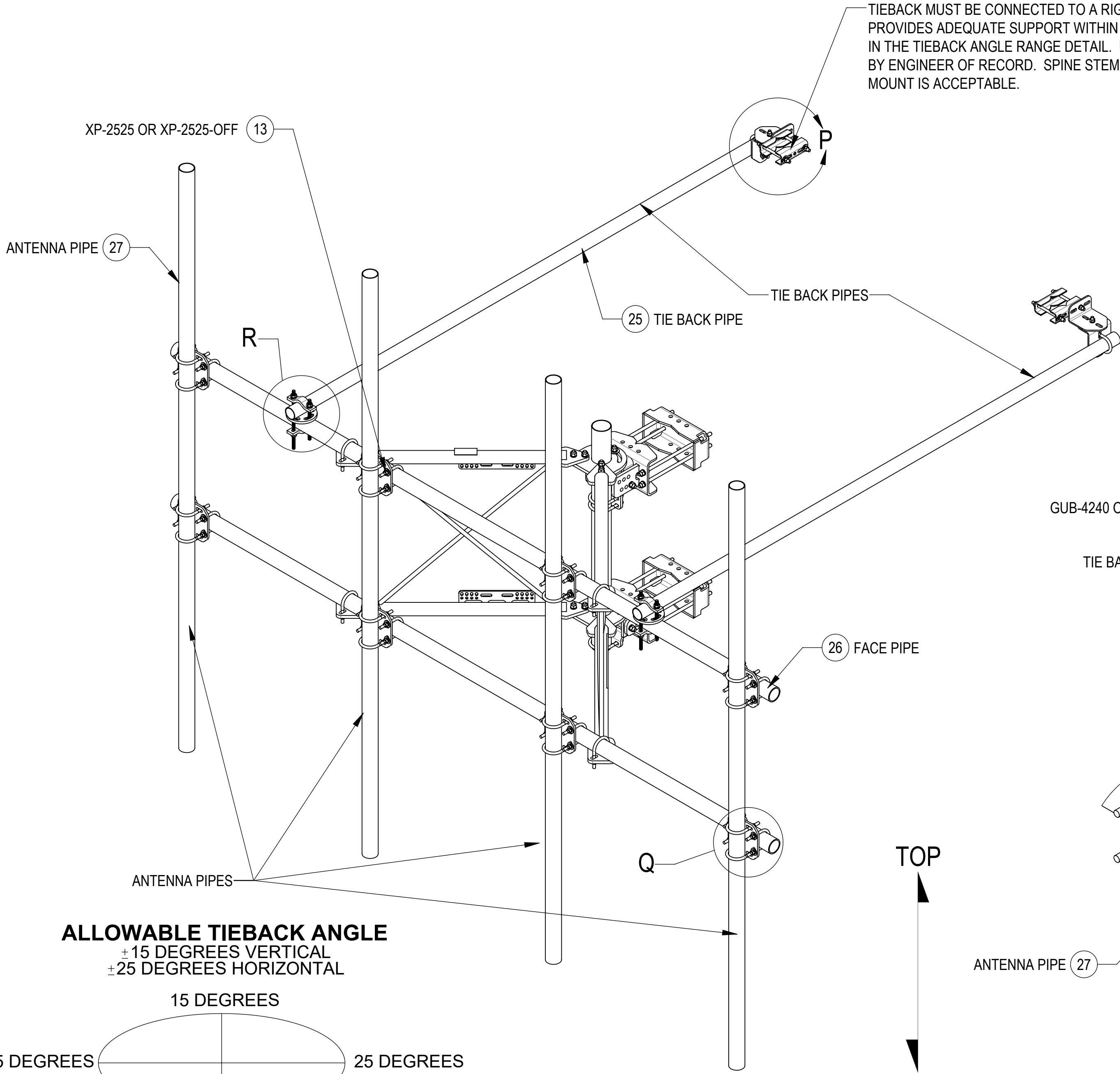
3

2

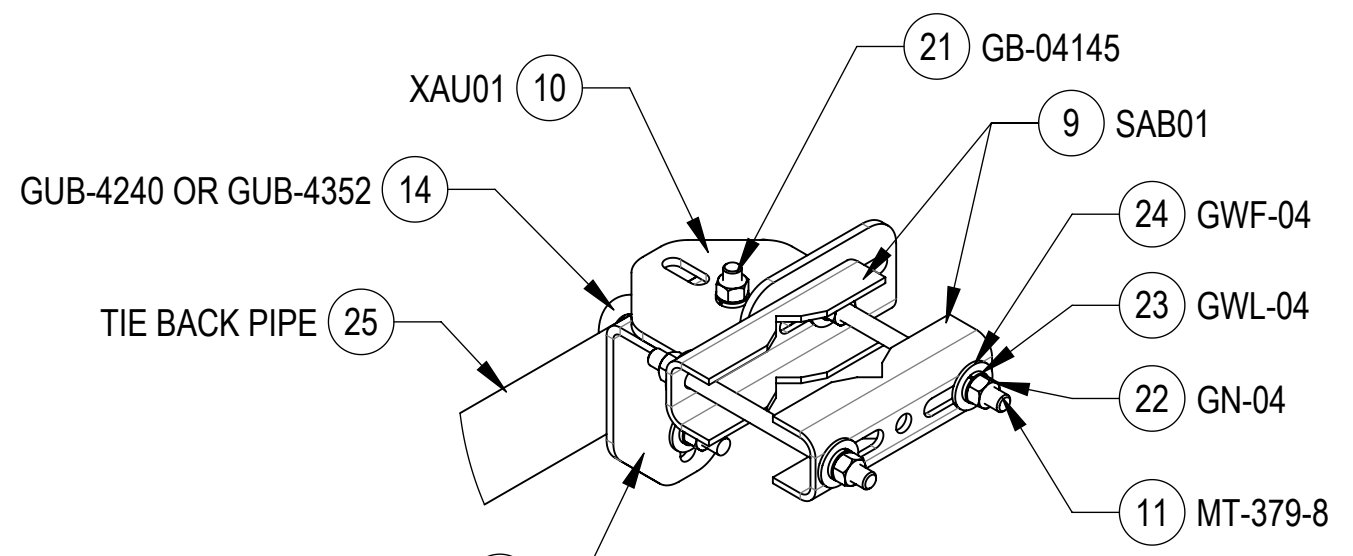
1

**STEP 5: ATTACH ANTENNA PIPES TO FACE PIPES USING CROSSOVER PLATE KITS(XP-2525 OR XP-2525-OFF).
ATTACH TIE BACK PIPES TO FACE PIPES USING ROUND CROSSOVER PLATE KITS (XP-R).**

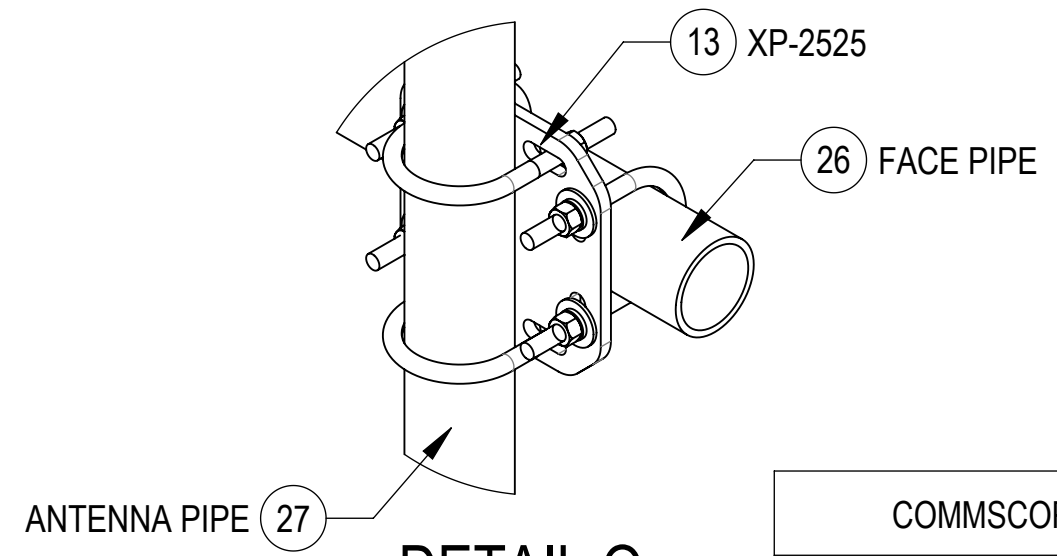
TIEBACK MUST BE CONNECTED TO A RIGID MEMBER THAT PROVIDES ADEQUATE SUPPORT WITHIN THE LIMITS NOTED IN THE TIEBACK ANGLE RANGE DETAIL. UNLESS APPROVED BY ENGINEER OF RECORD. SPINE STEM OF NEIGHBORING MOUNT IS ACCEPTABLE.



DETAIL R
SCALE 1 : 5

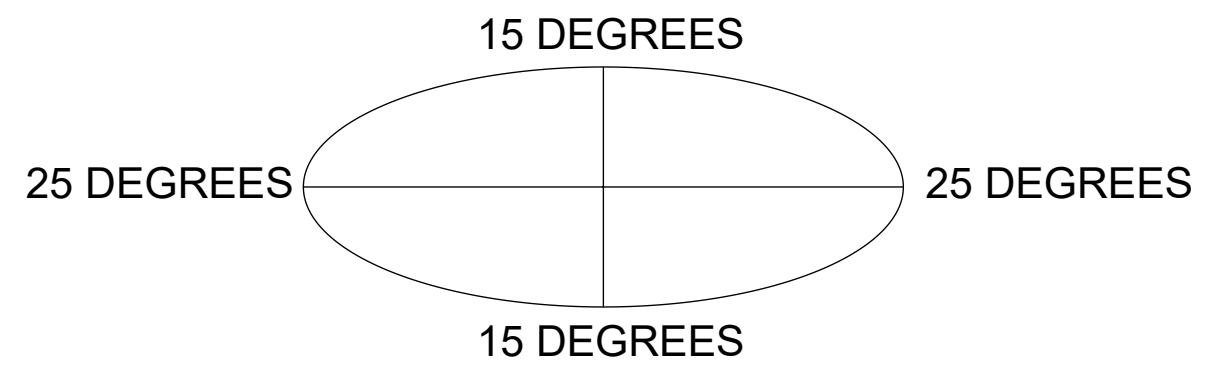


DETAIL P
SCALE 1 : 5



DETAIL Q
SCALE 1 : 5

ALLOWABLE TIEBACK ANGLE
±15 DEGREES VERTICAL
±25 DEGREES HORIZONTAL



ISO VIEW

TOP
↓
BOTTOM

COMMSCOPE, INC. OF NORTH CAROLINA				
TITLE SFG22HDX SECTOR FRAME SERIES				
SIZE C	SCALE 1:12	DOCUMENT NO. SFG22HDX		
DRAWING		REVISION		SHEET
VERSION 17	STATUS RE	REVISION M	11 OF 12	

4

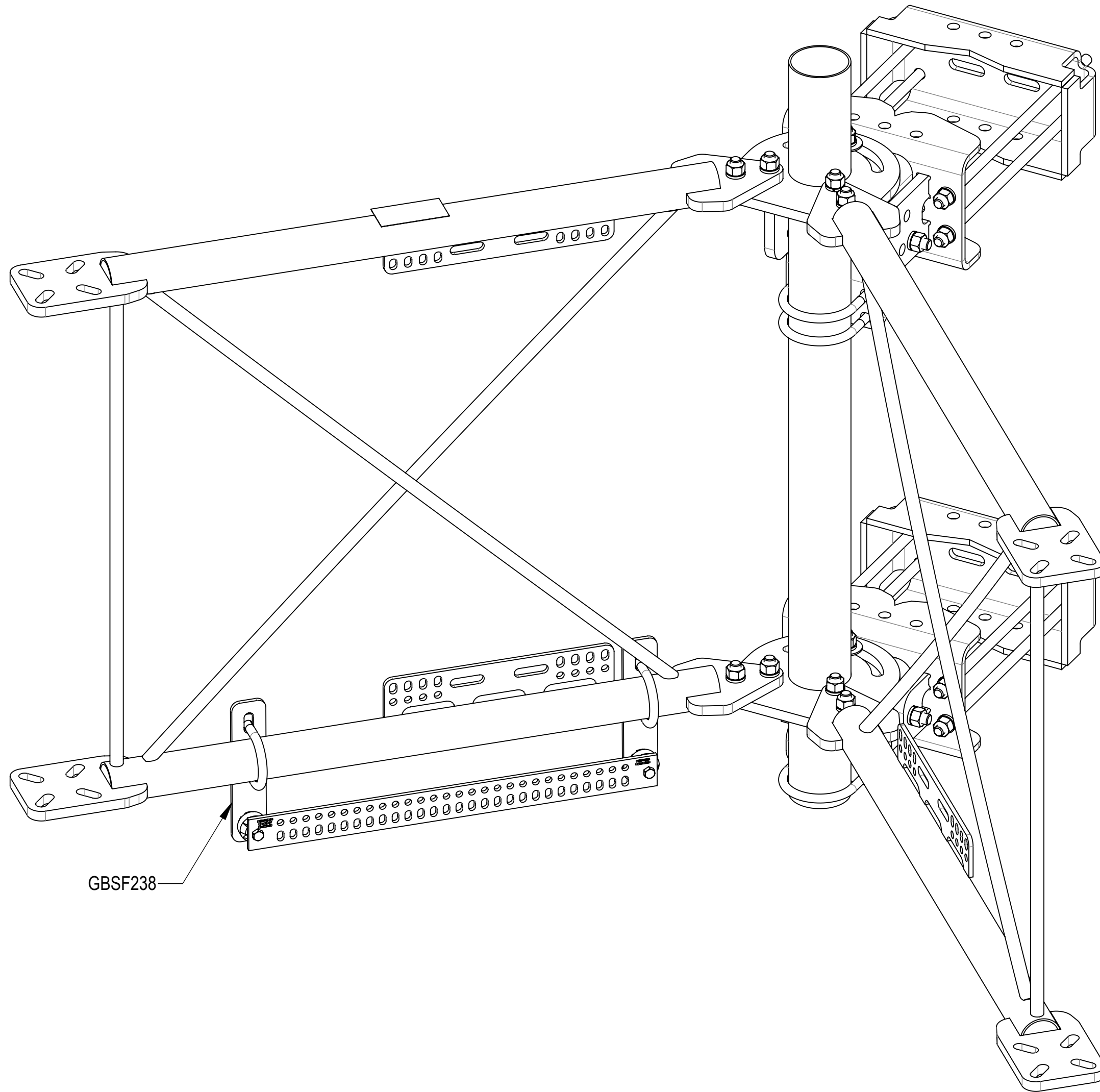
3

2

1


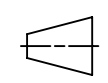
OPTIONAL ACCESSORIES:

BUS BAR MOUNT KIT GBSF238 IS WELL SUITED TO BE USED SHOULD THE NEED ARISE
NOTE THAT THIS KIT DOES NOT INCLUDE THE ISOLATORS OR BUS BAR



GBSF238

ISO VIEW

COMMSCOPE, INC. OF NORTH CAROLINA				
TITLE SFG22HDX SECTOR FRAME SERIES				
SIZE C	SCALE 1:12	DOCUMENT NO. SFG22HDX		
 		DRAWING		SHEET
		VERSION 17	STATUS RE	REVISION M

4

3

2

1

D

D

C

C

B

B

A

A