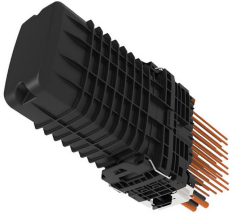


# FIST-EDSA2

## Base Product



## FIST® EDSA2 Fiber Optic Splice Closure

The FIST-EDSA2 FTTH closure enables faster and easier installation of a large amount of drop cables and micro ducts. The FIST-EDSA2 closure features innovative sealing and cable retention for a range of cables, combined with proven gel seal technology and FIST fiber management hardware.

Key features of the FIST-EDSA2 closures:

- Single-ended base and dome design with only two latches
- One oval shaped gel-sealed wrap around feeder port for up to 2 feeder cables or microtubes
  - Feeder loop possibility
  - Double layer gel seal for water/gas blocking
  - Feeder cable diameter 4 to 16 mm (0.157 to 0.630 in)
- Four long oval-shaped gel-sealed wrap around drop ports for up to 12 drop cables each (maximum 48 drops)
  - Direct buried cables or microtubes
  - Drop cable diameter range: 5 to 8 mm (0.197 to 0.315 in)
- One round entry/exit port for use with multi-out gel seal kits (FIST-RSKG)
  - Blown, standard, mini- and micro-drop cables
  - Drop cable diameter range: 0 to 14 mm (0 to 0.551 in)
- Fast, easy, toolless installation
- FIST fiber management system
- Repair and upgrade possibility
- Intuitive identification
- Reliable cable attachment systems

## Product Classification

<b>Regional Availability</b>	Australia/New Zealand   EMEA   Latin America
<b>Product Type</b>	Single-ended, rectangular fiber closure
<b>Product Brand</b>	FIST®
<b>Product Series</b>	FIST-EDSA2
<b>Ordering Note</b>	Splice tray kits, mounting bracket and drop seals to be ordered separately

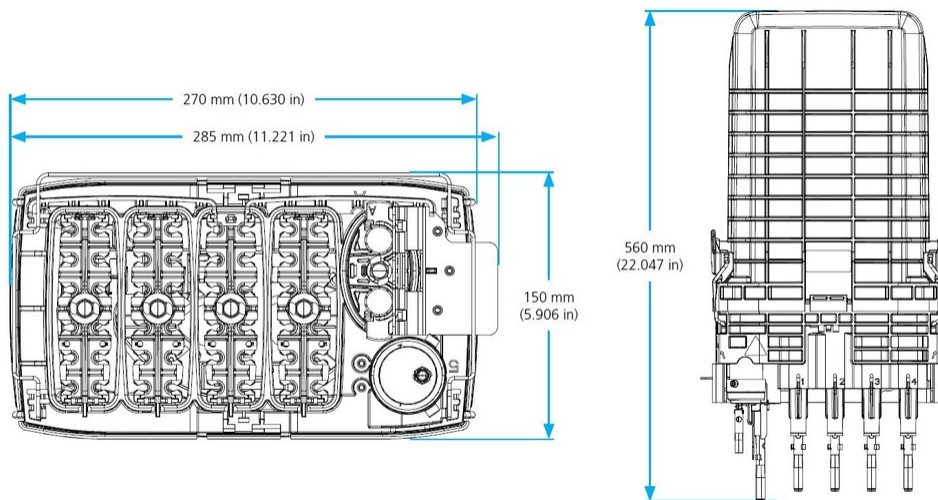
## General Specifications

<b>Cable Entry Drop Port Style</b>	Gel block
<b>Cable Entry Main Port Style</b>	Gel block
<b>Cable Ports Quantity, total</b>	1 oval port (2 cables) + 5 multi-out ports (64 cables)
<b>Cable Sealing Type</b>	Compressed gel

# FIST-EDSA2

<b>Closure Sealing Type</b>	Side latch
<b>Closure Style</b>	Single-ended
<b>Color</b>	Black
<b>Mounting</b>	Handhole   Manhole   Wall
<b>Network Area Type</b>	Distribution   Drop
<b>Splice Tray Included, quantity</b>	0
<b>Splice Tray Type Included</b>	No trays
<b>Splicing Type, Supported</b>	Single fusion

## Dimension Drawing



## Splicing Configuration

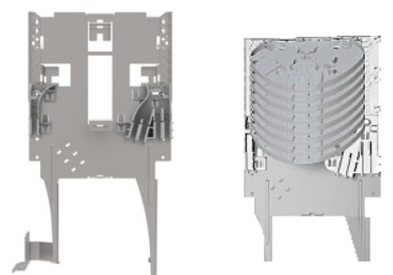
# FIST-EDSA2

	Standard splice version D5		High capacity splice version D5H	
	Trays	Fibers	Trays	Fibers
UMS units	16		24	
Single circuit cassettes SC (up to 4 splices)	16	64	24	96
Single element cassettes SE (up to 12 splices)	8	96	12	144
Single element cassettes slim SLE (up to 12 splices)	16	192	24	288

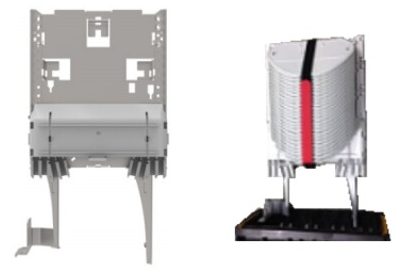
## Ordering Tree

FIST-EDSA2-D  -

**5 Standard splice version**



**5H High capacity version\***



\* with Fiber Arrangement System (FAS) block

<b>N</b>	No valve
<b>V</b>	Valve

- Kit includes:**
- Closure with feeder seal
  - UMS mounting frame
  - FAS block and/or tube holder

# FIST-EDSA2

---

## Material Specifications

**Material Type** Impact-resistant polymer

## Environmental Specifications

**Environmental Space** Above ground | Aerial | Below ground | Buried

**Qualification Standards** IEC 60529, IP68 + 2 m waterhead

**Water Resistance** 20 kPa

## Regulatory Compliance/Certifications

**Agency**

ISO 9001:2015

**Classification**

Designed, manufactured and/or distributed under this quality management system