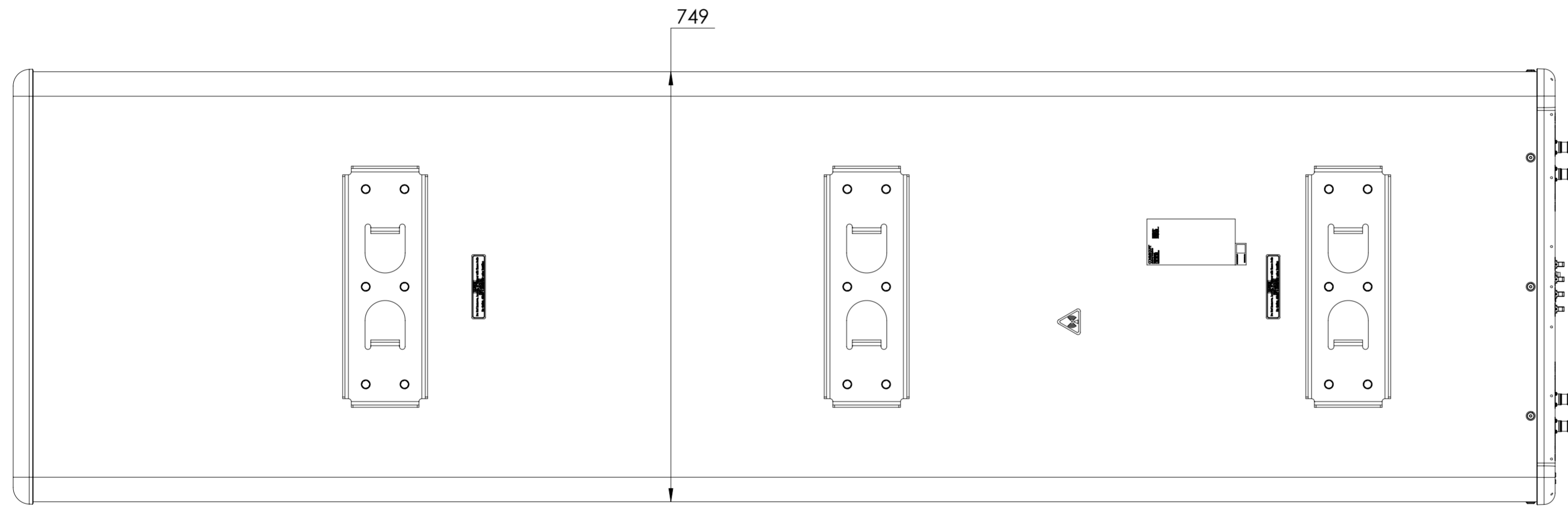
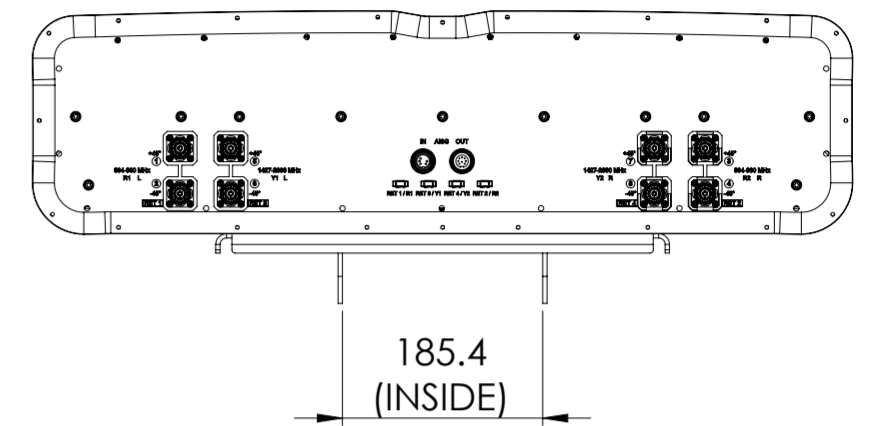
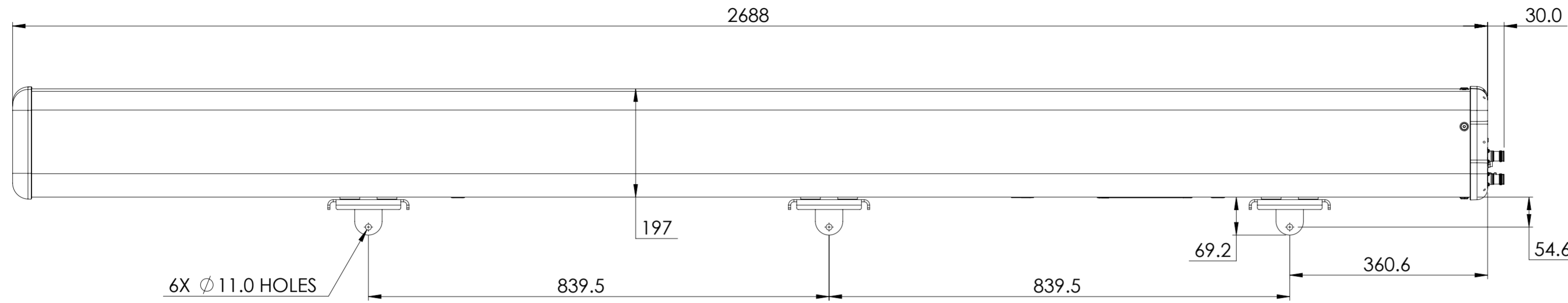


REVISIONS			
REV.	DESCRIPTION	DATE	APPROVED
A	ECR 15156PC: REL TO PRODUCTION PER EAO 610205.	04MAR22 CMY	GZB/X.MEI



RRZZ-33D-R4

**COMMSCOPE, INC. OF NORTH CAROLINA**

TOLERANCES		SAP MATERIAL MASTER	
0 PLACE X ±	2 PLACE .XX ±		
1 PLACE .X ±	ANGLES ±		
FINISH		MATERIAL	
<small>UNLESS OTHERWISE SPECIFIED DIMENSIONS ARE IN MILLIMETERS INTERPRET PER ISO STANDARDS HANDBOOK TECHNICAL DRAWINGS VOLUMES 1 &amp; 2, THIRD EDITION (2002)</small>		NAME	DATE
		CE MC1105	11/03/2021
		RW WZ1012	03/04/2022
		AD ZG1008	03/06/2022
		RE QS1002	03/06/2022
ECN 15156PC		SCALE	DOCUMENT NO.
		1:7	RRZZ-33D-R4-L
SIZE		Auth Group	BSA
A2			
MODEL		DRAWING	
VERSION	STATUS	REVISION	VERSION
00	RE	A	00
SHEET		REVISION	
1 OF 1		A	

DENSITY	g/mm <sup>3</sup>
MASS	grams
VOLUME	mm <sup>3</sup>
SURFACE AREA	mm <sup>2</sup>
HEIGHT	
LENGTH	
WIDTH	