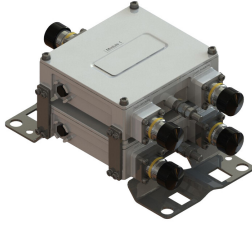


E14F06P25



Ultra Compact Twin Diplexer 3400-3440MHz/3520-3600MHz, DC bypass on Low band, 4.3-10 connectors

- New Combining Solution to introduce 5G, 3.5GHz band
- Suitable for space limited applications like Metro Cell, Lamp Pole, Concealment Solution and Macro Site
- Compact form factor with reduced size and weight
- Ideal for small cell applications
- New 4.3-10 connectors for improved PIM performance and size reduction
- dc/AISG pass-through on low frequency ports
- Twin configuration

Product Classification

Product Type Diplexer

General Specifications

Color Gray

Connector Interface 4.3-10 Female

Modularity 2-Twin

Mounting Pipe Hardware Band clamps (2)

Dimensions

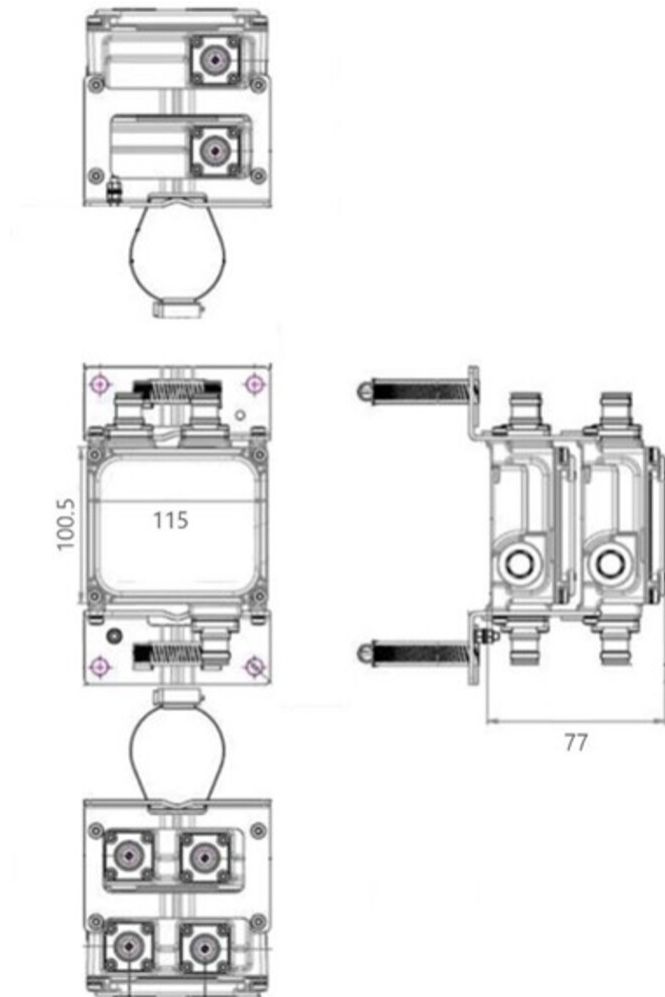
Height 100.5 mm | 3.957 in

Width 77 mm | 3.031 in

Depth 115 mm | 4.528 in

Outline Drawing

E14F06P25



Electrical Specifications

License Band, Band Pass TDD 3500

Electrical Specifications, dc Power/Alarm

dc/AISG Pass-through, combiner Branch 1

dc/AISG Pass-through, demultiplexer Branch 1

Lightning Surge Current 5 kA

Lightning Surge Current Waveform 8/20 waveform

Electrical Specifications

Sub-module	1 2	1 2
Branch	1	2

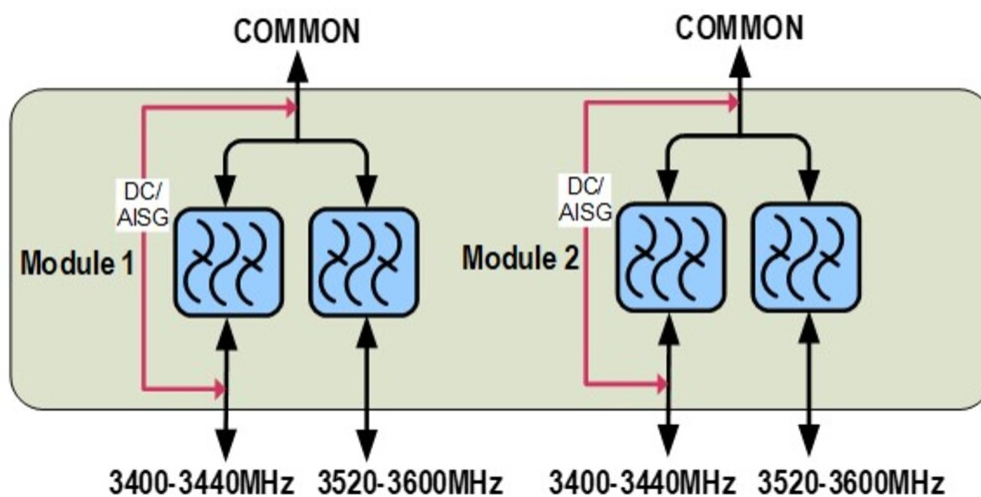
E14F06P25

Port Designation	3400-3440	3520-3600
License Band	TDD 3500, Band Pass	TDD 3500, Band Pass

Electrical Specifications, Band Pass

	3400–3440	3520–3600
Frequency Range, MHz		
Insertion Loss, typical, dB	0.4	0.4
Return Loss, typical, dB	20	20
Isolation, typical, dB	55	55
Input Power, RMS, maximum, W	100	100
Input Power, PEP, maximum, W	1000	1000
3rd Order PIM, typical, dBc	-155	-155
3rd Order PIM Test Method	2 x 20 W CW tones	2 x 20 W CW tones

Block Diagram



Mechanical Specifications

Wind Speed, maximum	241 km/h (150 mph)
----------------------------	--------------------

Environmental Specifications

Operating Temperature	-40 °C to +65 °C (-40 °F to +149 °F)
Corrosion Test Method	IEC 60068-2-11, 30 days
Environmental Test Method	ETSI EN 300 019-1-4
Ingress Protection Test Method	IEC 60529:2001, IP67

E14F06P25

Packaging and Weights

Included	Mounting hardware
Volume	0.85 L
Weight, net	1.8 kg 3.968 lb
Weight, without mounting hardware	1.6 kg 3.527 lb