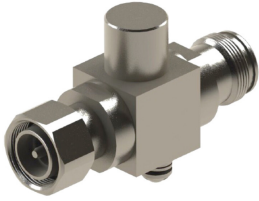


# APT-HFHM-CB

---



Arrestor Plus® Quarterwave Surge Arrestor for C-Band 3400-4000MHz, with interface types 4.3-10 Female and 4.3-10 Male

## Product Classification

<b>Product Type</b>	Quarter wave shorting stub
<b>Product Brand</b>	Arrestor Plus®
<b>Ordering Note</b>	ANDREW® non-standard product

## General Specifications

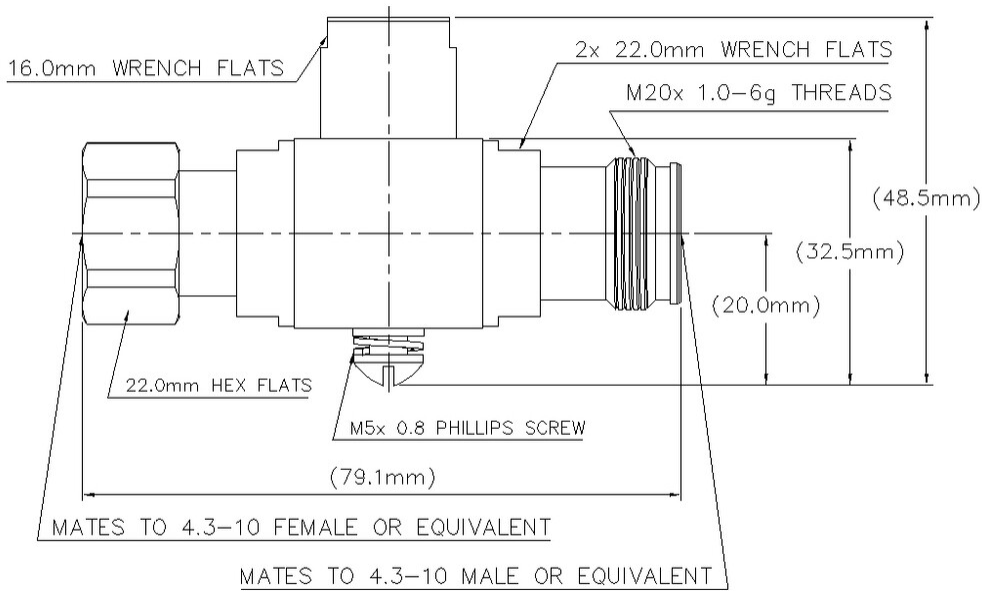
<b>Device Type</b>	dc Pass
<b>Inner Contact Plating</b>	Silver
<b>Interface</b>	4.3-10 Female
<b>Interface 2</b>	4.3-10 Male
<b>Outer Contact Plating</b>	Trimetal

## Dimensions

<b>Height</b>	48.5 mm   1.909 in
<b>Width</b>	25 mm   0.984 in
<b>Length</b>	79.1 mm   3.114 in

## Outline Drawing

# APT-HFHM-CB



## Electrical Specifications

<b>3rd Order IMD Gain</b>	-117 dB
<b>3rd Order IMD Test Method</b>	Two +43 dBm carriers
<b>Insertion Loss, typical</b>	0.15 dB
<b>Connector Impedance</b>	50 ohm
<b>Inner Contact Resistance, maximum</b>	1 mOhm
<b>Lightning Surge Current</b>	10 kA
<b>Lightning Surge Current Waveform</b>	8/20 waveform
<b>Operating Frequency Band</b>	3400 – 4000 MHz
<b>Outer Contact Resistance, maximum</b>	1 mOhm

## VSWR/Return Loss

Frequency Band	VSWR	Return Loss (dB)	VSWR, typical	Return Loss, typical (dB)
<b>2700-3000 MHz</b>	1.201	20.8		
<b>3000-4200 MHz</b>	1.201	20.8		
<b>3400-4000 MHz</b>	1.201	20.8	1.065	30
<b>4200-5000 MHz</b>	1.201	20.8		

# APT-HFHM-CB

---

5000–6000 MHz 1.201 20.8

## Mechanical Specifications

<b>Coupling Nut Proof Torque</b>	88.507 in lb   10 N-m
<b>Coupling Nut Retention Force</b>	449.27 N   101 lbf
<b>Coupling Nut Retention Force Method</b>	MIL-C-39012C-3.25, 4.6.22
<b>Interface Durability</b>	100 cycles
<b>Interface Durability Method</b>	IEC 61169-16:9.5
<b>Mechanical Shock Test Method</b>	IEC 61169-1 9.3.14

## Environmental Specifications

<b>Operating Temperature</b>	-45 °C to +85 °C (-49 °F to +185 °F)
<b>Storage Temperature</b>	-55 °C to +85 °C (-67 °F to +185 °F)
<b>Attenuation, Ambient Temperature</b>	20 °C   68 °F
<b>Average Power, Ambient Temperature</b>	40 °C   104 °F
<b>Corrosion Test Method</b>	IEC 60068-2-11
<b>Immersion Depth</b>	1 m
<b>Immersion Test Mating</b>	Mated
<b>Immersion Test Method</b>	IEC 60529:2001, IP68
<b>Moisture Resistance Test Method</b>	IEC 60068-2-3
<b>Thermal Shock Test Method</b>	IEC 60068-2-14

## Packaging and Weights

<b>Packaging quantity</b>	50
<b>Weight, net</b>	0.238 kg   0.525 lb

## Regulatory Compliance/Certifications

<b>Agency</b>	<b>Classification</b>
CHINA-ROHS	Below maximum concentration value
REACH-SVHC	Compliant as per SVHC revision on <a href="https://www.commscope.com/ProductCompliance">www.commscope.com/ProductCompliance</a>
ROHS	Compliant
UK-ROHS	Compliant

