

4

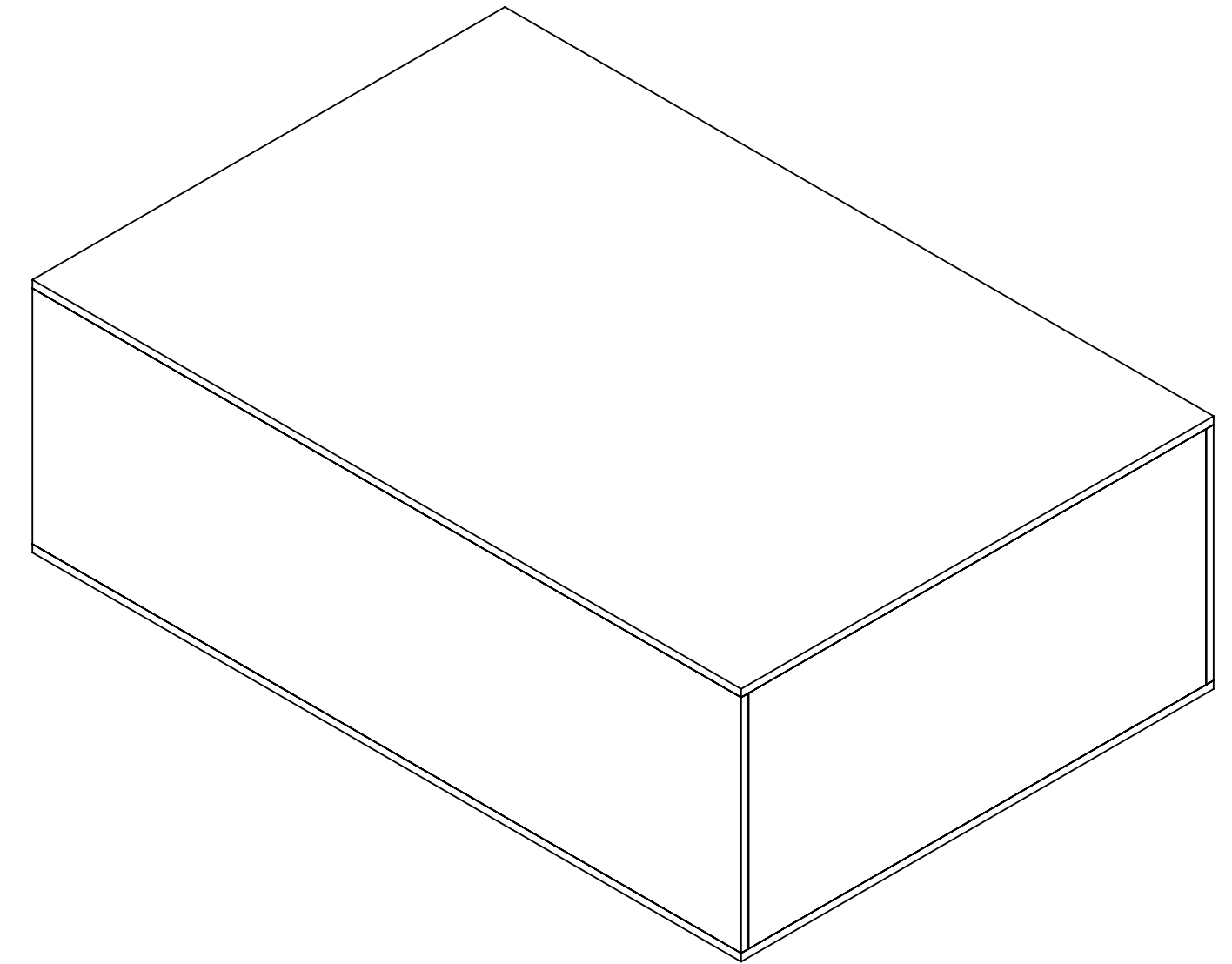
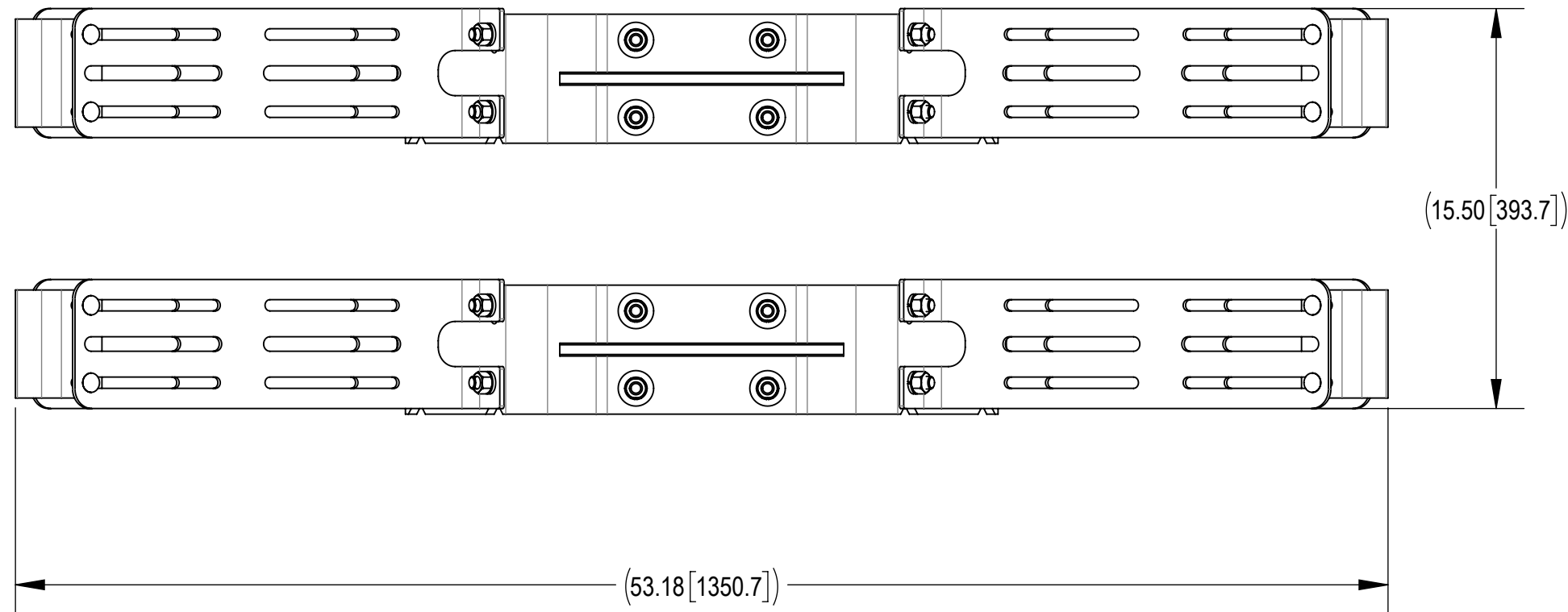
3

2

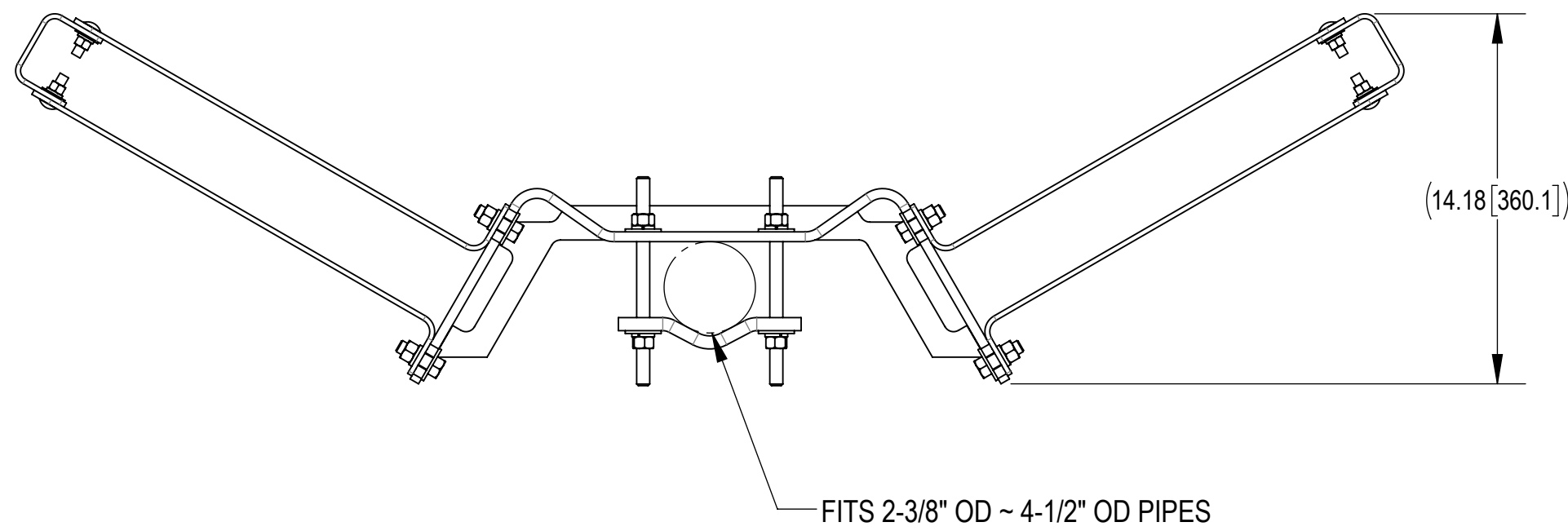
1

- 1.0 GENERAL NOTES
  - 1.1 ALL METRIC DIMENSIONS ARE IN BRACKETS [X.X]
  - 1.2 FOR PATENT INFO: <https://www.cs-pat.com>
- 2.0 DESIGN NOTES
  - 2.1 >THREADED RODS CAN BE CUT BACK POST INSTALLATION TO PREVENT OBSTRUCTION AS PER REQUIREMENTS OF TOWER OWNER
- 3.0 MANUFACTURING/SPECIAL REQUIREMENTS
  - 3.1 TIGHTEN ALL BOLTS SECURING FLAT PLATES BY THE TURN-OF-NUT METHOD. TIGHTEN ALL U-BOLTS USING TURN-OF-NUT METHOD WITH ATTENTION TO LEAVE EQUAL DISTANCE AND EQUAL FORCE ON EACH LEG OF THE U-BOLT
- 4.0 TEST
- 5.0 PACKAGING
  - 5.1 PACKAGING SHALL MEET COMMSCOPE REQUIREMENTS PER DOCUMENT IS-PL-3005
  - 5.2 PRINTED DOCUMENT TO BE PLACED INSIDE POLYBAG AND THEN IN SHIPPING CONTAINER
  - 5.3 EXTRA HARDWARE MAY BE SUPPLIED, BAGGED AND SHIPPED

REVISIONS			
REV.	DESCRIPTION	DATE	APPROVED
A	INITIAL RELEASE	RJC 08/10/20	8000042229
B	RRAPEX-0120-00 WAS RRAPEX-0100; RRAPEX-0110-00 WAS GUB-4355; QTY OF GWF-04 WAS 16 EA; ADDED MT-379-8, GWL-04 & GN-04	RY1002 10MAY24	YW1045 40195194CMO



PACKAGE



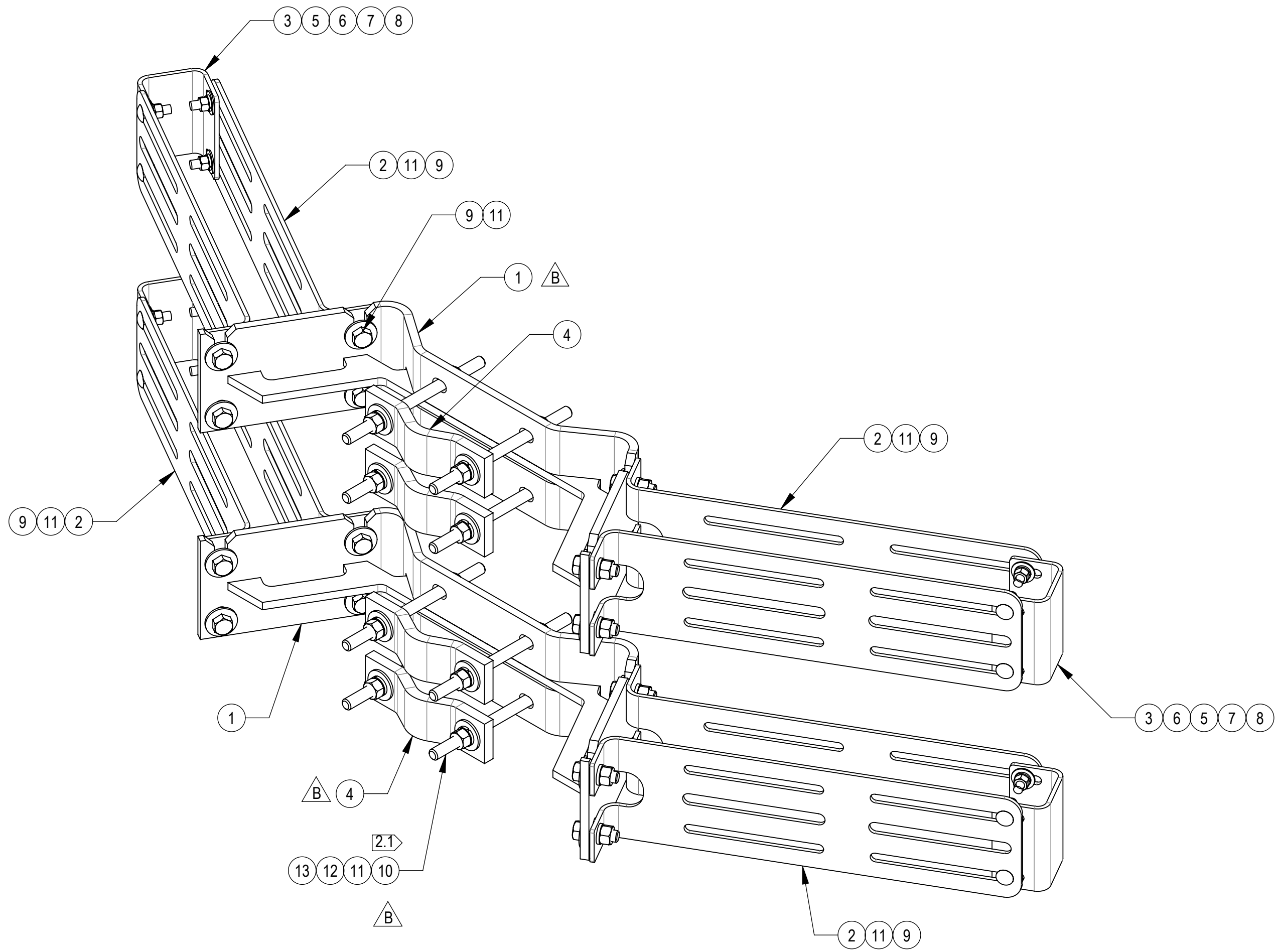
<b>COMMSCOPE, INC. OF NORTH CAROLINA</b>											
TOLERANCES					SAP MATERIAL MASTER						
1 PLACE .X[X] ± 0.25[6.4]			3 PLACE .XXX[X] ± 0.060[1.5]		<b>RR-APEX4</b>						
2 PLACE .XX[X] ± 0.12[3.0]			ANGLES ± 2°								
FINISH					MATERIAL						
UNLESS OTHERWISE SPECIFIED DIMENSIONS ARE IN INCHES INTERPRET PER ANSI Y 14.5M-1994	NAME		DATE		<b>APEX 4 RRU MOUNTING</b>						
	CE	RJC	08/10/20								
	RW	RY1002	05/16/2024								
	AD	YW1045	05/16/2024								
	RE	YMENG	05/26/2024								
ECN 40195194CMO					SCALE <b>1:6</b>		DOCUMENT NO. <b>RR-APEX4</b>				
SIZE		Auth Group		INSL		MODEL			DRAWING		
<b>C</b>						VERSION	STATUS	REVISION	VERSION	STATUS	REVISION
						02	RE	C	01	RE	B
DENSITY		93.00		lbs/in <sup>3</sup>							
MASS		328.92		lbs							
VOLUME		3135.10		in <sup>3</sup>							
SURFACE AREA		15.5"		HEIGHT							
		53.2"		LENGTH							
		14.2"		WIDTH							

4

3

2

1

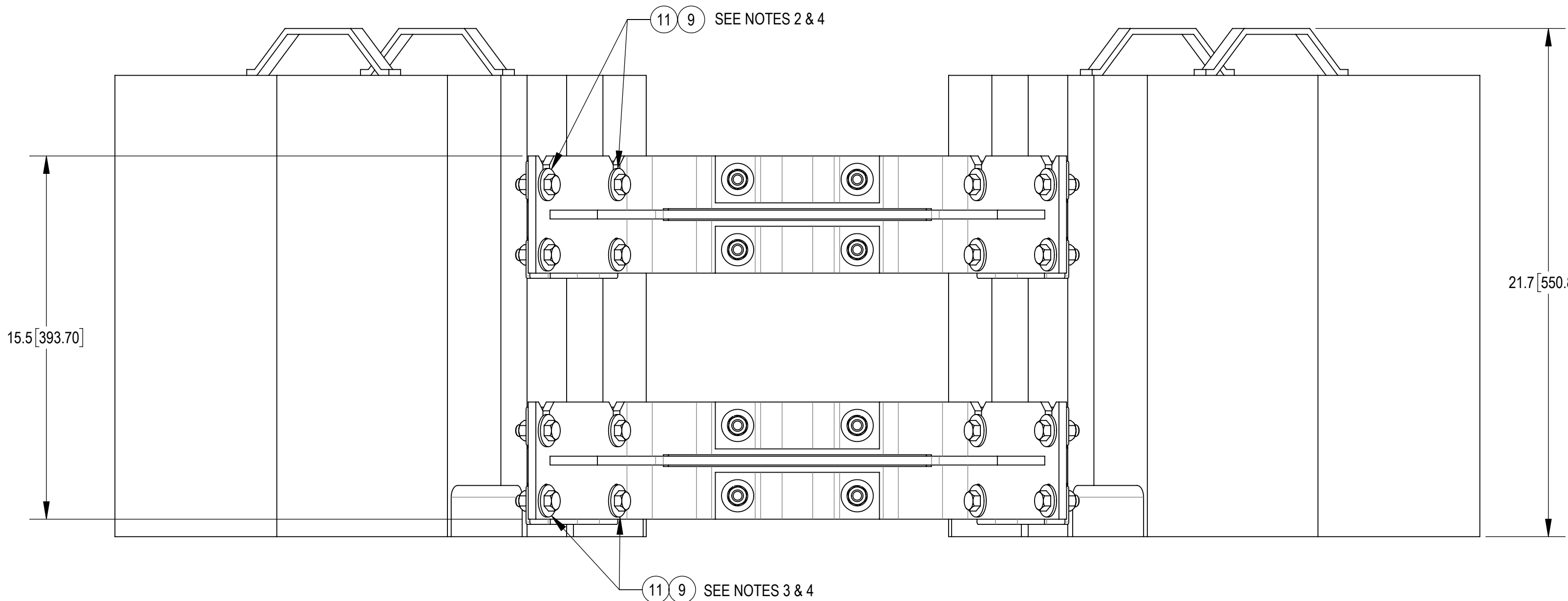
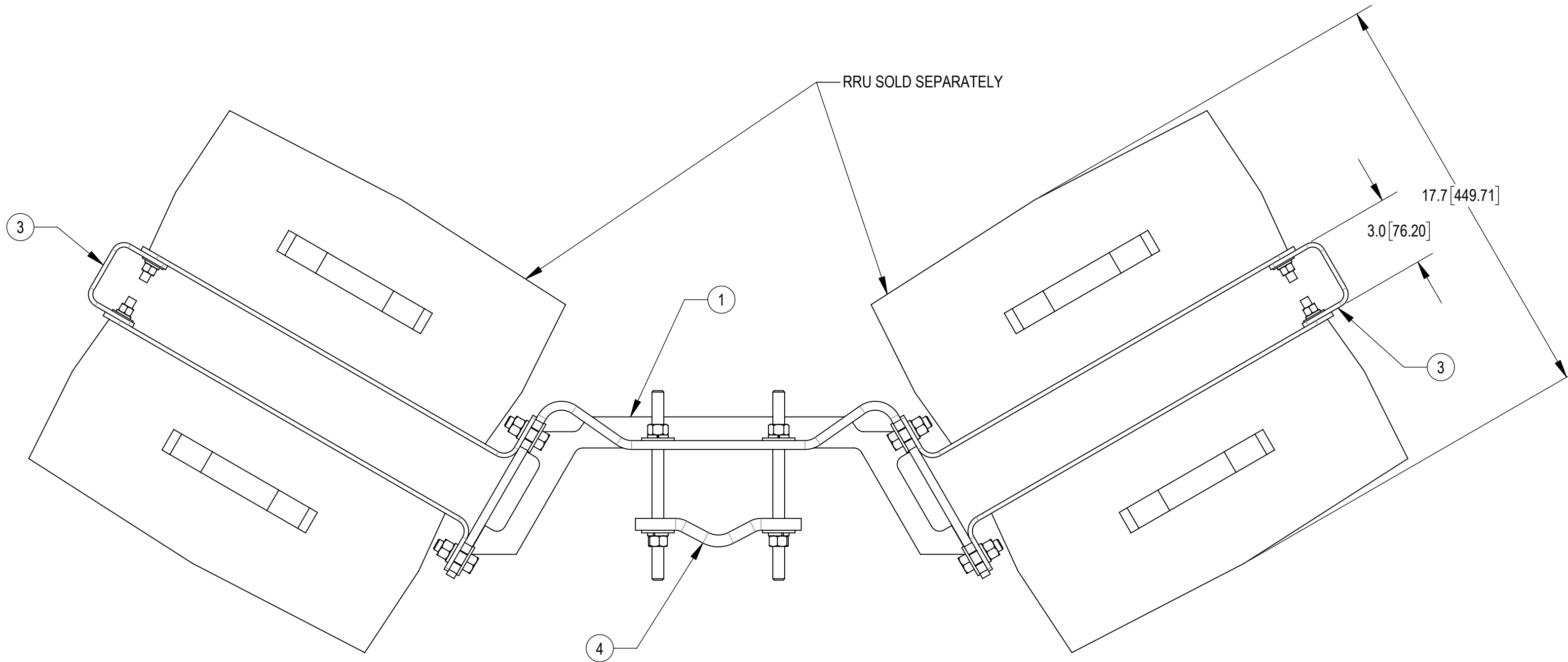


COMPONENT PART NUMBERS PROVIDED FOR ASSEMBLY PURPOSES;  
 INDIVIDUAL COMPONENTS MAY BE SHIPPED AS PARTS WITHIN AN INCLUDED KIT.

ITEM	PART NO.	DESCRIPTION	QTY.	WEIGHT	NOTE NO.
1	RRAPEX-0120-00	WELDMENT, RRAPEX BRACKET	2	18.73 LBS	B
2	MTC378909	RRU HANGER	8	3.97 LBS	
3	RRFA-0001-00	BRACKET, RRU MOUNT SMALL STABILIZER	4	1.46 LBS	
4	RRAPEX-0110-00	CLAMP HALF: 1/2",9/16" HOLE,4-1/2 OD	4	1.97 LBS	B
5	MTC8196	3/8 X 1-1/4" CARRIAGE BOLT	16	0.05 LBS	
6	GWF-03	3/8" GALV FLAT WASHER	16	0.01 LBS	
7	GWL-03	3/8" GALV LOCK WASHER	16	0.01 LBS	
8	GN-03	3/8" GALV HEX NUT	16	0.02 LBS	
9	GB-04145	1/2" X 1-1/2" GALV BOLT KIT	16	0.13 LBS	
10	MT-379-8	1/2" X 8" GALV THREADED ROD	8	0.44 LBS	
11	GWF-04	1/2" GALV FLAT WASHER	32	0.04 LBS	B
12	GWL-04	1/2" GALV LOCK WASHER	16	0.01 LBS	
13	GN-04	1/2" GALV HEX NUT	16	0.04 LBS	

COMMSCOPE, INC. OF NORTH CAROLINA				
TITLE APEX 4 RRU MOUNTING				
SIZE C	SCALE 1:4	DOCUMENT NO. RR-APEX4		
DRAWING		VERSION	STATUS	REVISION
		01	RE	B
				SHEET 2 OF 4

- INSTALLATION NOTES
1. PREASSEMBLE HANGER AND RRU'S.
  2. WITH TOP SETS OF ITEMS 9 AND 11 LOOSE, SLIDE HANGER INTO POSITION THEN TIGHTEN BOLTS FOR INSTALLATION.
  3. PUT THE BOTTOM SETS OF ITEMS 9 AND 11 IN AFTER THE HANGER AND RRU'S ARE INSTALLED.
  4. TORQUE ITEMS 9 TO 60FT LBS AFTER INSTALLATION.



COMMSCOPE, INC. OF NORTH CAROLINA				
TITLE APEX 4 RRU MOUNTING				
SIZE <b>C</b>	SCALE <b>1:4</b>	DOCUMENT NO. <b>RR-APEX4</b>		
		DRAWING		SHEET
		VERSION	STATUS	REVISION
		01	RE	B
				3 OF 4

4

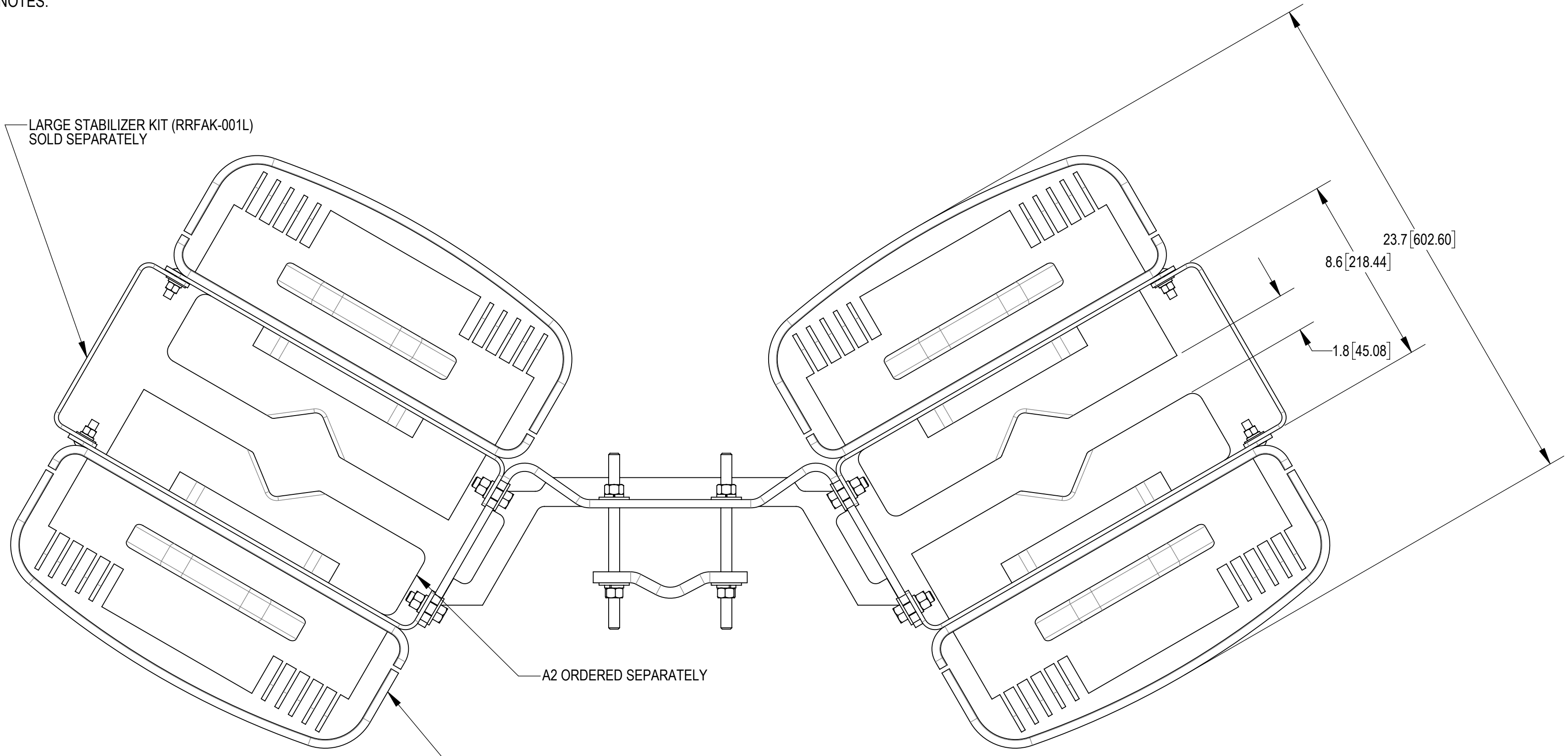
3

2

1

NOTES:

LARGE STABILIZER KIT (RRFAK-001L)  
SOLD SEPARATELY



A2 ORDERED SEPARATELY

RRU ORDERED SEPARATELY

23.7 [602.60]

8.6 [218.44]

1.8 [45.08]

D

D

C

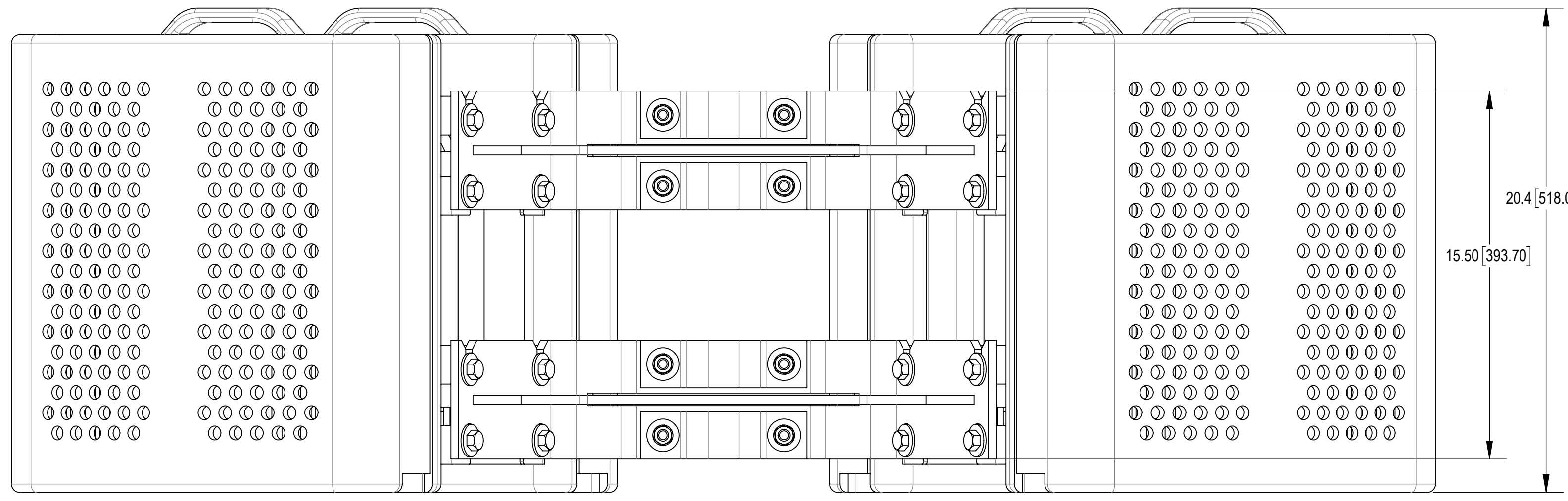
C

B

B

A

A



20.4 [518.00]

15.50 [393.70]

COMMSCOPE, INC. OF NORTH CAROLINA

TITLE  
**APEX 4 RRU MOUNTING**

SIZE <b>C</b>	SCALE <b>1:4</b>	DOCUMENT NO. <b>RR-APEX4</b>		
------------------	---------------------	---------------------------------	--	--

	DRAWING			SHEET 4 OF 4
	VERSION 01	STATUS RE	REVISION B	

© 2024 CommScope, Inc. Confidential

4

3

2

1