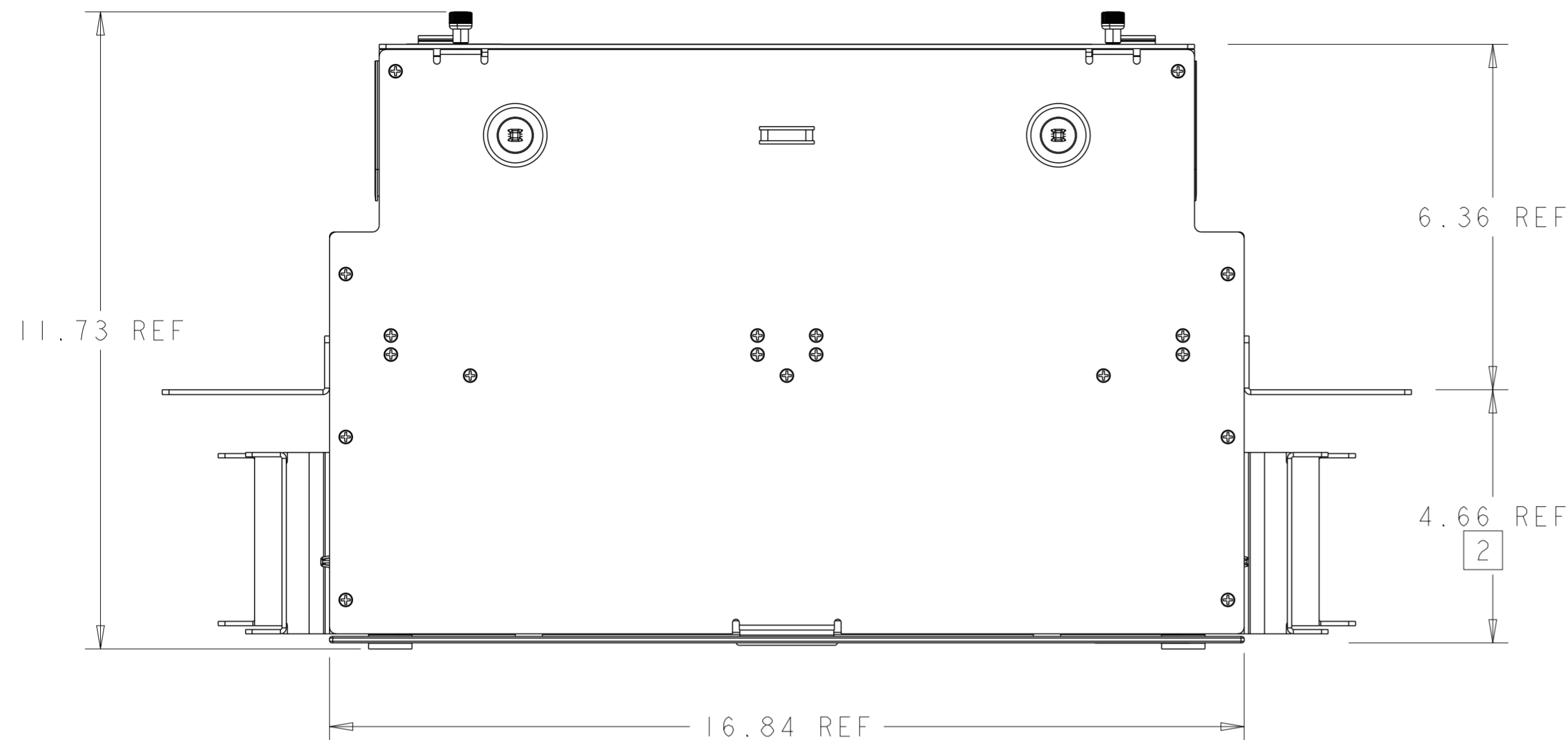


REVISIONS			
REV	DESCRIPTION	DATE	APPROVED
A	40122625CMO	08-JAN-2020	MAM
B	40141948CMO	24-JAN-2022	MAM



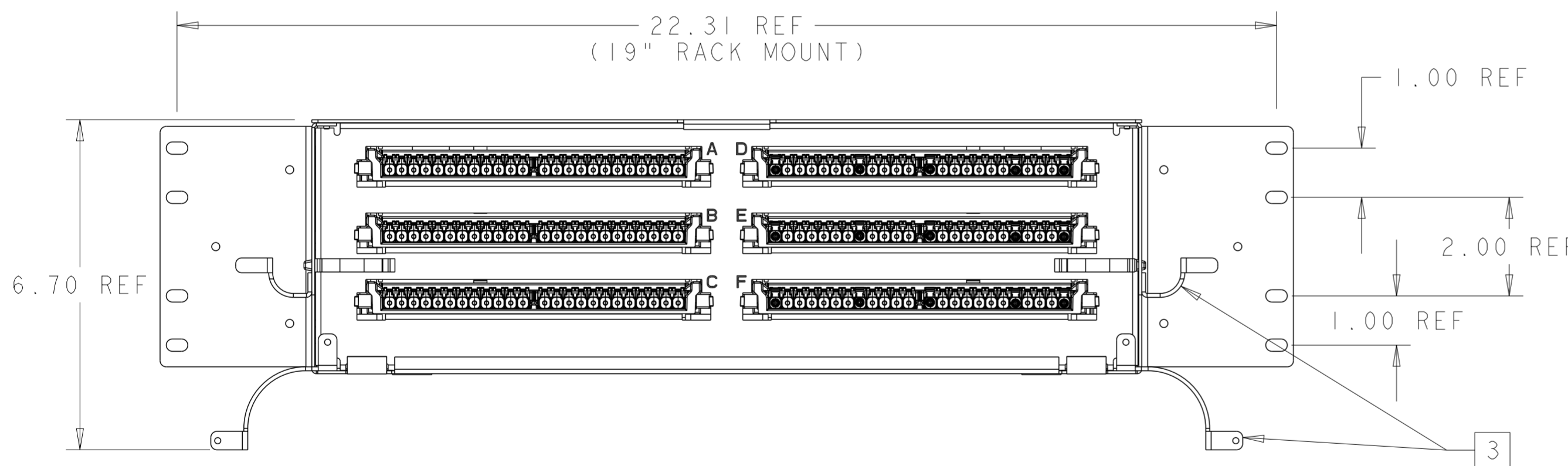
NOTES

1. ITEMS INCLUDED WITH UNIT:

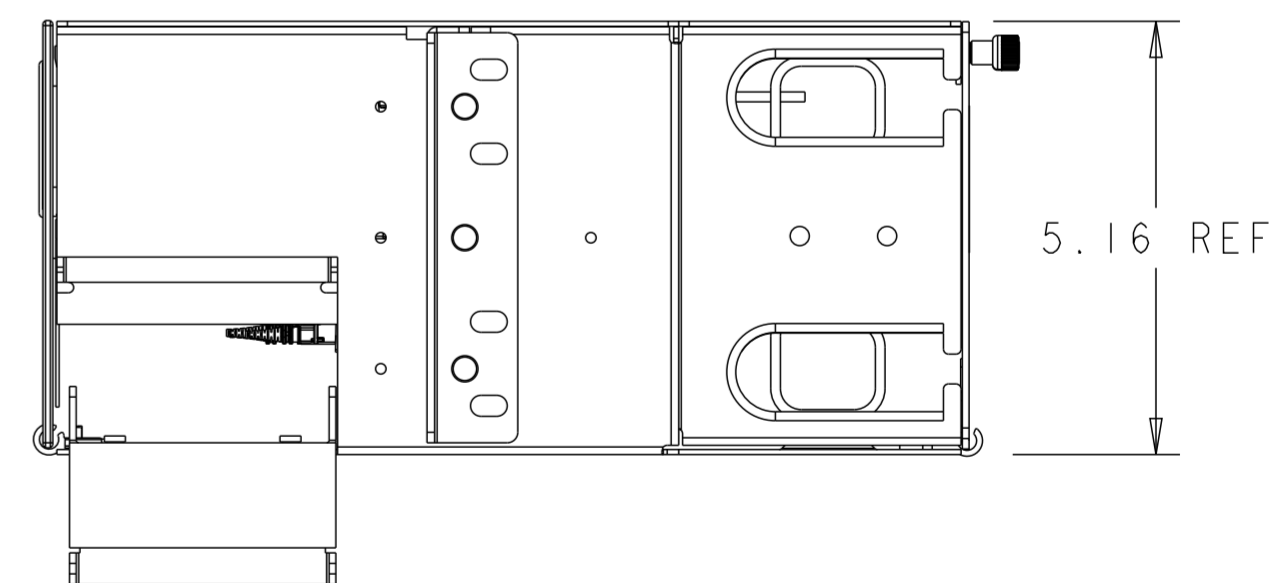
- (4) RACK MOUNTING SCREWS
- (2) UPPER RADIUS LIMITERS +4-40 THREAD FORMING SCREWS
- (2) BOTTOM RADIUS LIMITERS +4-40 MACHINE SCREWS
- (1) REAR DESIGNATION CARD
- (2) ADHESIVE CLIPS
- (6) CABLE RINGS
- (2) 10-32 SCREW
- (2) WASHER LOCK
- (1) CABLE CLAMP KIT

2. MODULE HAS UNIVERSAL MOUNTING BRACKET MOUNTED AT 5 INCH RECESS AND 23 INCH RACK MOUNTING SPACING. BRACKETS MAY BE REMOVED AND REASSEMBLED TO PANEL AT A 4 INCH RECESS OR 19 INCH RACK MOUNTING SPACING.

3. ATTACH OPTIONAL UPPER AND BOTTOM RADIUS LIMITERS USING PROVIDED 4-40 SCREWS (APPLY TORQUE 5 LBS).

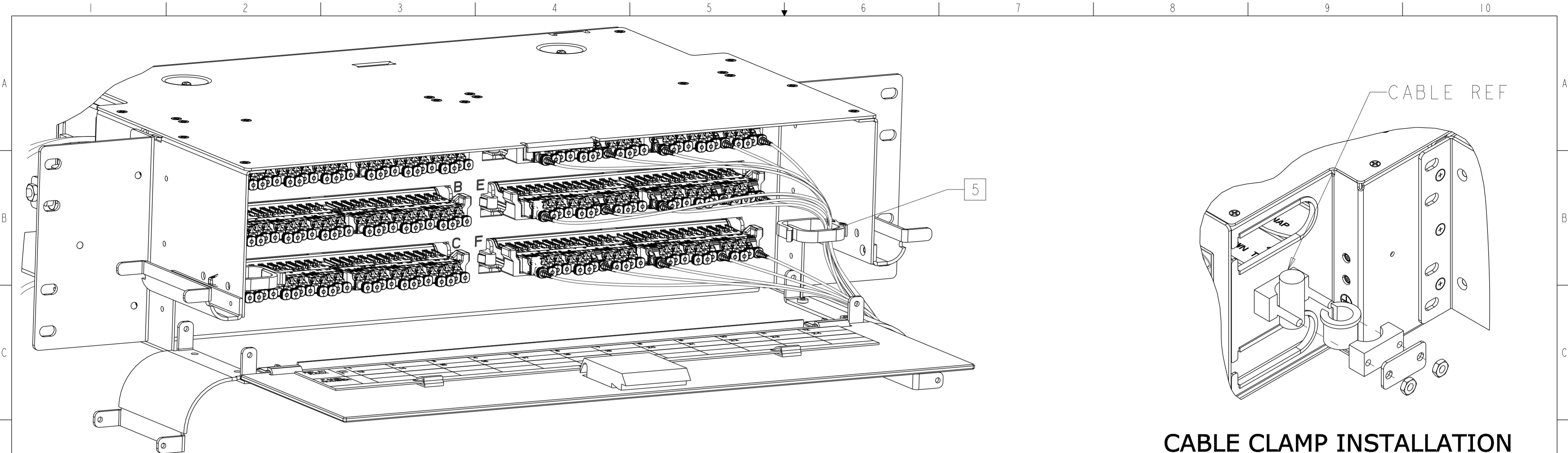


FRONT VIEW WITHOUT DOOR
CMODS SHOWN FOR REFERENCE



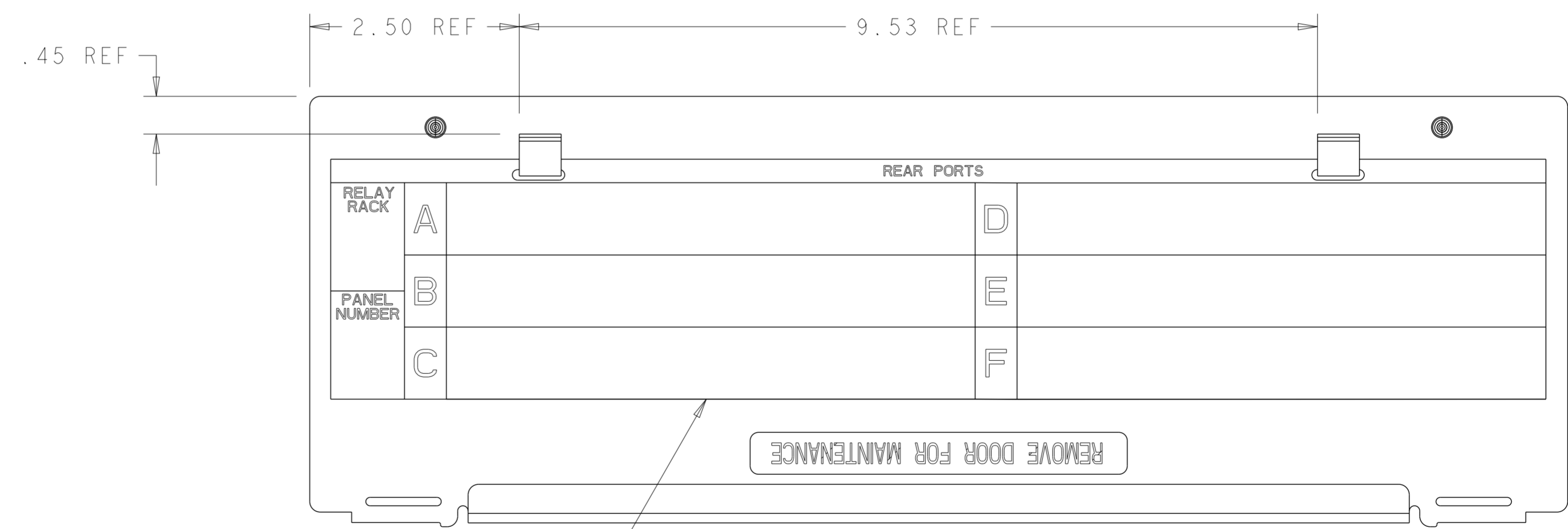
CATALOG NUMBER: LSX-300000-CMOD

COMMSCOPE, INC.			
DRAFTER MIGUEL MUÑOZ		TITLE INST DRW, LSX NG4 CMOD A-F 3RU	
ENGINEER LUIS BALANDRAN		SIZE A2	SCALE 1/8
		DOCUMENT NO. 660105340	
CUSTOMER DRAWING			REVISION B
			SHEET 1 OF 5



FRONT ISO-VIEW SHOWN

CABLE CLAMP INSTALLATION
RIGHT SIDE SHOWN FOR REF ONLY.

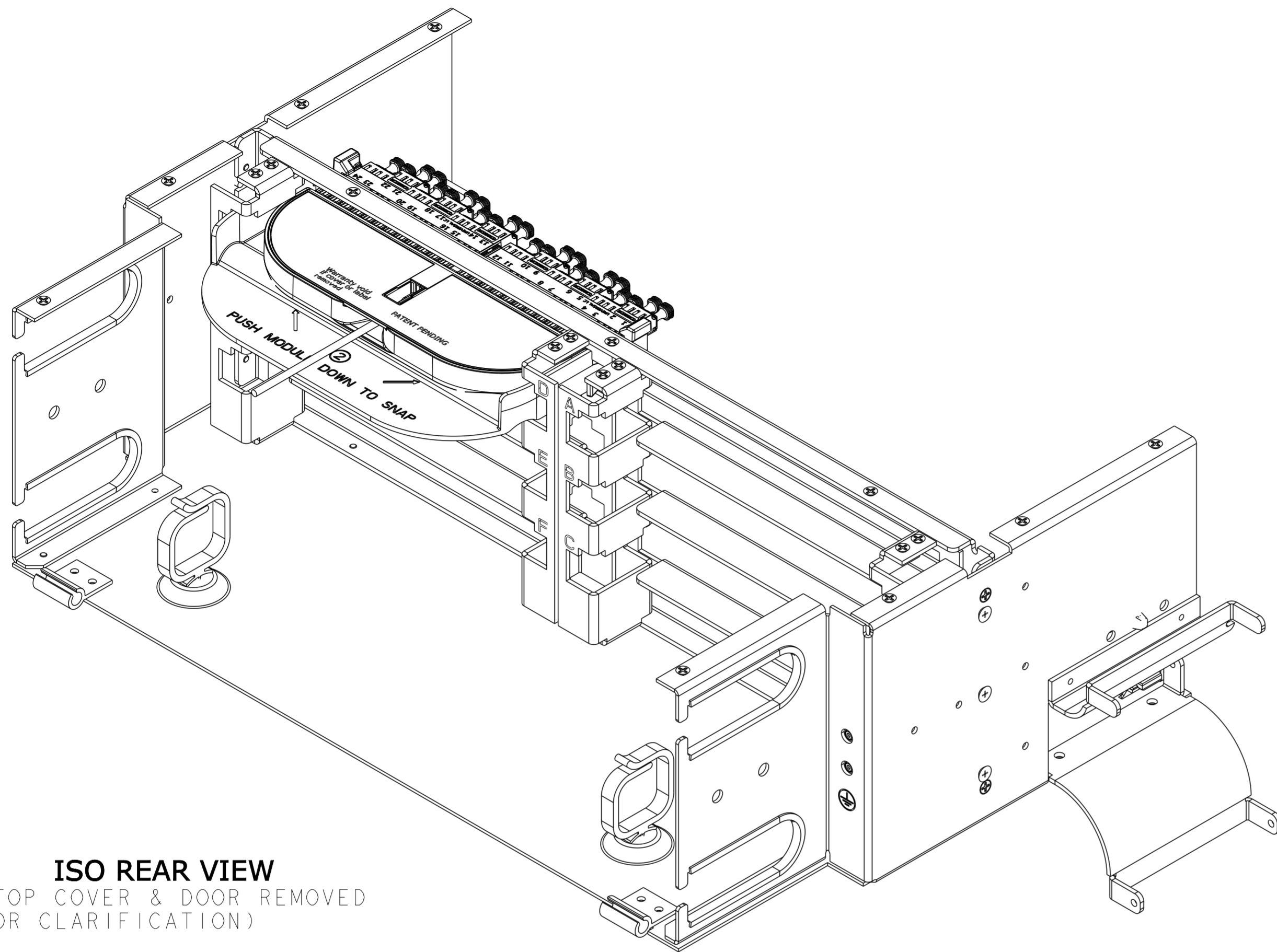


REAR DOOR
INSIDE VIEW

NOTES:

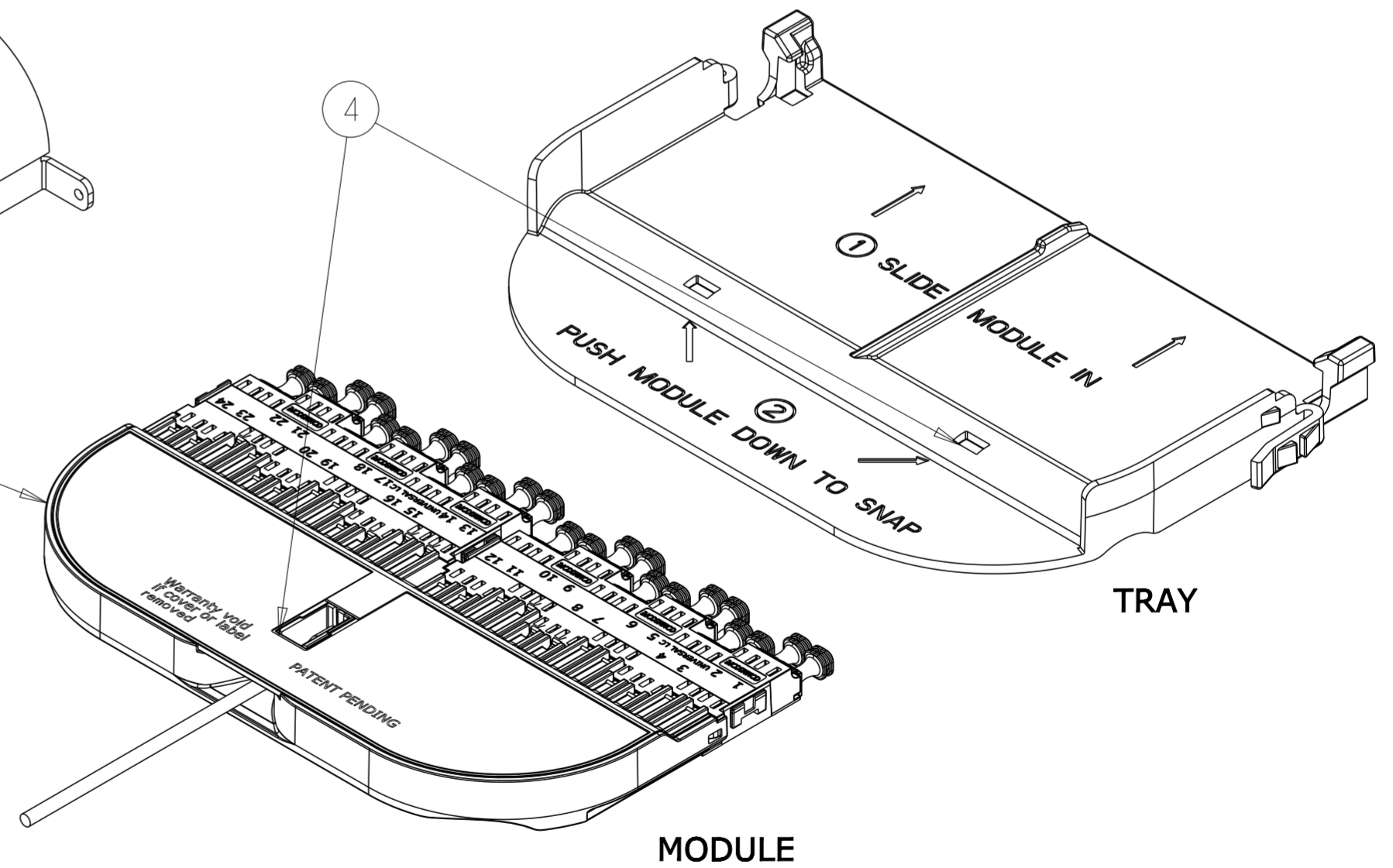
- 4 REAR DESIGNATION CARD INCLUDED AS ACCESSORY. ATTACH TO INSIDE OF REAR DOOR USING ADHESIVE CLIPS AS SHOWN.
- 5 PLACE CABLE RINGS AS NEEDED.
- 6 TO REMOVE OR PUT IN PLACE CMOD TRAYS, REAR CABLE RINGS SHALL BE REMOVED

COMMSCOPE, INC.				
DRAFTER MIGUEL MUÑOZ		TITLE INST DRW, LSX NG4 CMOD A-F 3RU		
ENGINEER LUIS BALANDRAN		SIZE A2	SCALE 1/8	DOCUMENT NO. 660105340
CUSTOMER DRAWING				REVISION B
				SHEET 2 OF 5



ISO REAR VIEW
(TOP COVER & DOOR REMOVED FOR CLARIFICATION)

CMOD SHOWN FOR REFERENCE ONLY



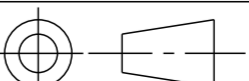
NOTES:

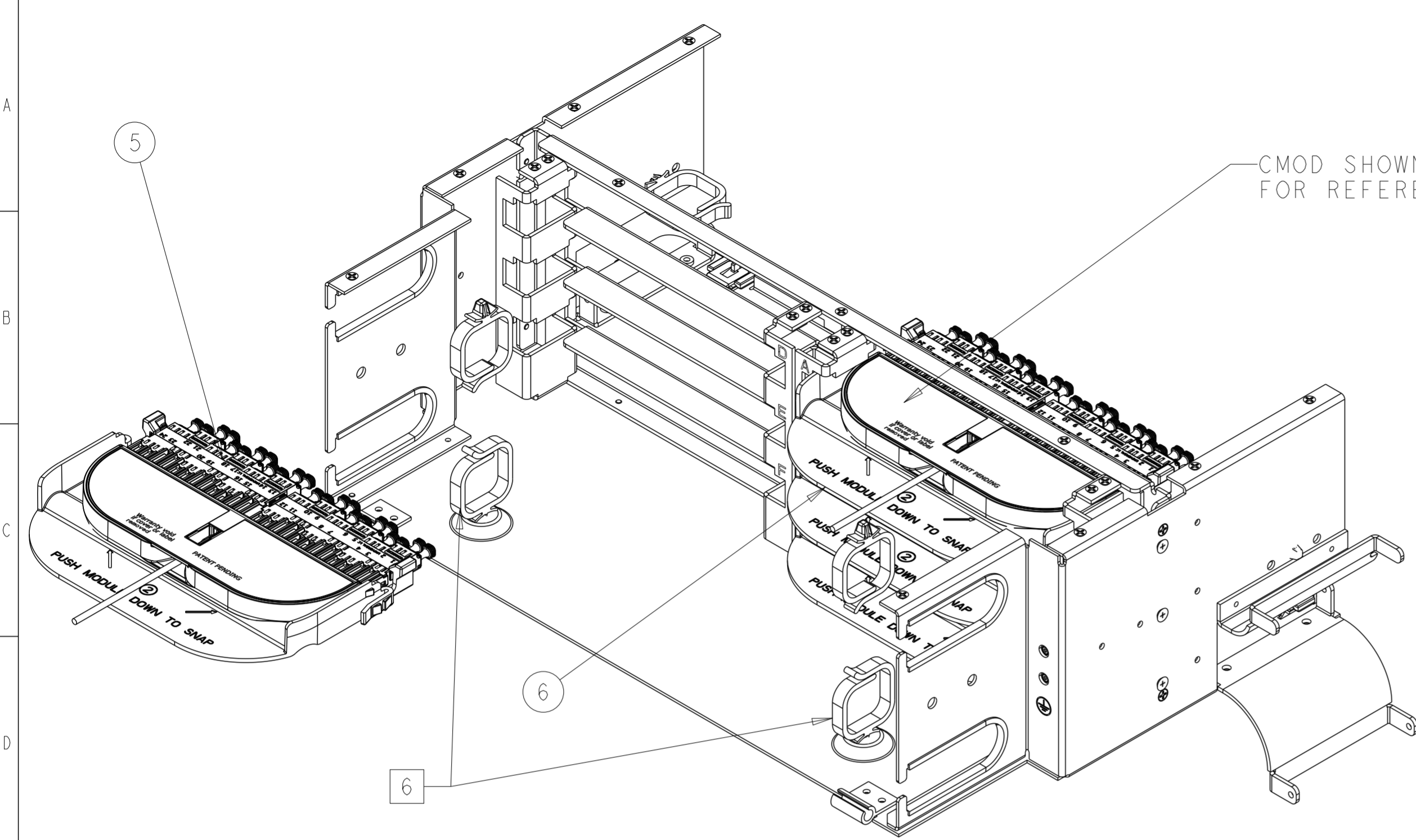
TO REMOVE PLASTIC SUPPORT TRAY FROM BULKHEAD:

- 1 PUSH IN ON SNAP-IN FEATURE TO RELEASE TABS.
- 2 PULL BACK ON PLASTIC SUPPORT TRAY.

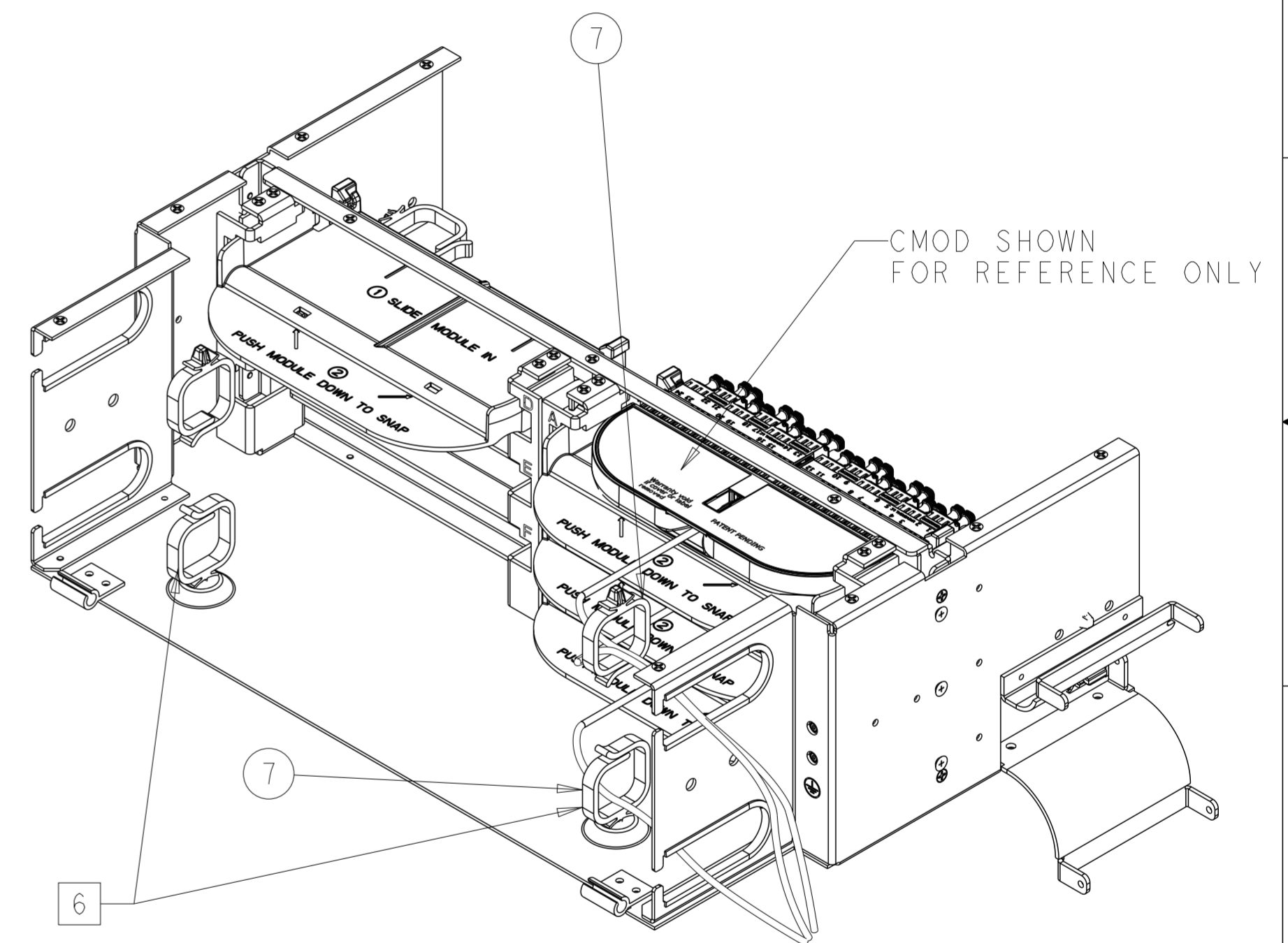
TO MOUNT CMOD OR VAM MODULE INTO PLASTIC SUPPORT TRAY.

- 3 SLIDE MODULE INTO PLASTIC SUPPORT TRAY.
- 4 PUSH MODULE DOWN TO SNAP IN PLASTIC SUPPORT TRAY.

COMMSCOPE, INC.				
DRAFTER MIGUEL MUÑOZ		TITLE INST DRW, LSX NG4 CMOD A-F 3RU		
ENGINEER LUIS BALANDRAN		SIZE A2	SCALE 1/2	DOCUMENT NO. 660105340
		CUSTOMER DRAWING		REVISION B SHEET 3 OF 5



SCALE 1/2



SCALE 7/16

NOTES:

TO MOUNT ASSEMBLED PLASTIC SUPPORT TRAY WITH CMOD OR VAM MODULE INTO BULKHEAD

- 5. ALIGN PLASTIC SUPPORT TRAY WITH BULKHEAD CUT-OUTS.
- 6. PUSH UNTIL SNAP-IN FEATURES OF PLASTIC SUPPORT TRAY ARE SECURED INTO BULKHEAD CUTOUT.

CMOD CABLE ROUTING

- 7. CMOD REAR CABLES COULD BE ROUTED TROUGH THE TOP AND/OR BOTTOM CABLE RINGS (AS SHOWN IN FIGURE).

COMMSCOPE, INC.			
DRAFTER MIGUEL MUÑOZ		TITLE INST DRW, LSX NG4 CMOD A-F 3RU	
ENGINEER LUIS BALANDRAN		SIZE A2	SCALE 1/2
		DOCUMENT NO. 660105340	
CUSTOMER DRAWING			REVISION B
			SHEET 4 OF 5

PANEL GROUNDING

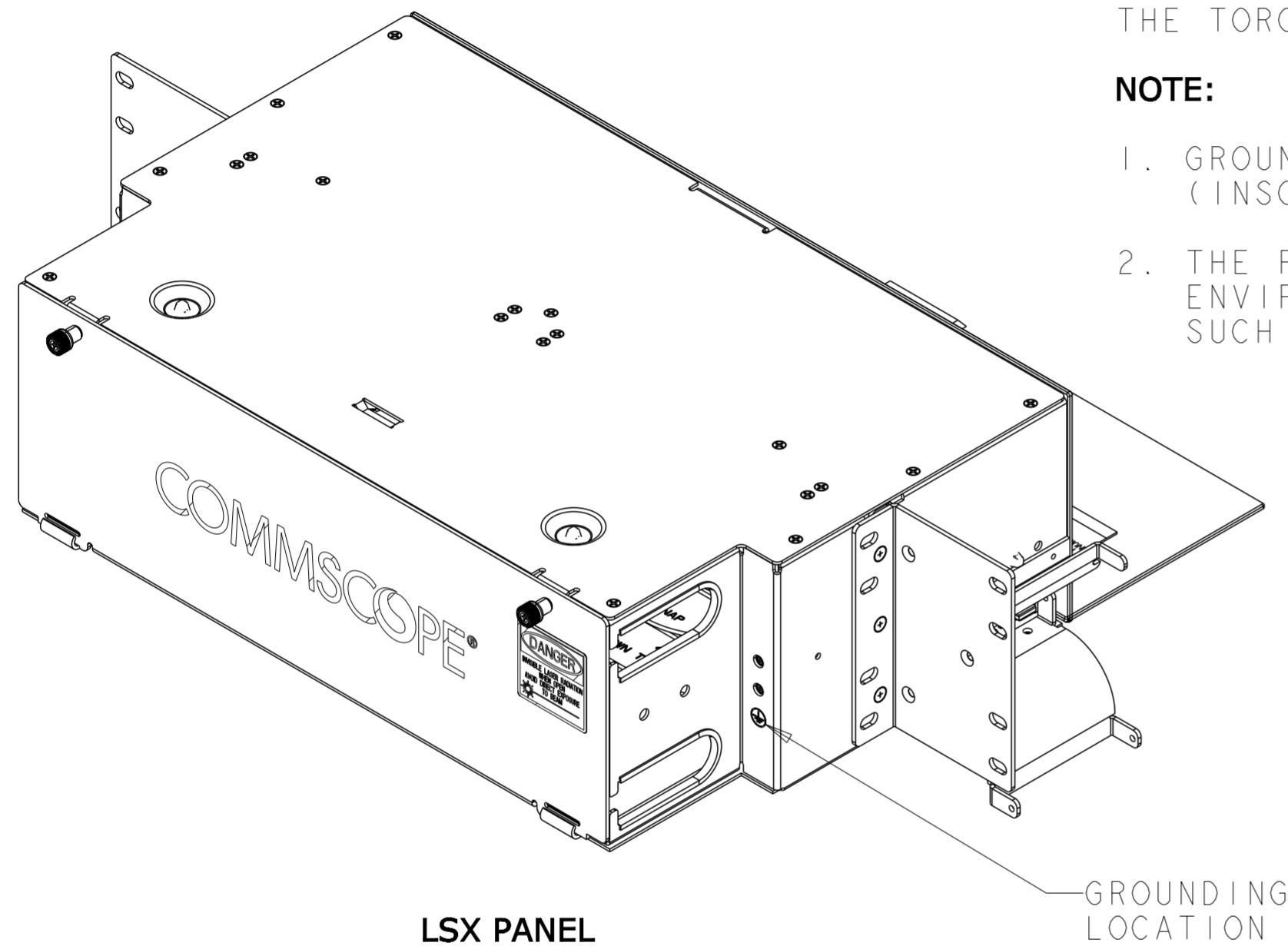
EACH PANEL HAS A GROUNDING LOCATION MARKED WITH THE STANDARD GROUNDING SYMBOL. THIS LOCATION IS ON THE RIGHT SIDE OF PANEL AS SHOWN. USE THE TWO #10-32 GROUND SCREWS AND TWO #10 STAR WASHERS PROVIDED TO CONNECT A #6 COPPER GROUNDING CABLE TO THE PANEL GROUND THE UNIT TO THE LOCAL FACILITY GROUND BUS PER LOCAL PRACTICE. A TWO-HOLE GROUNDING LUG IS SHOWN IN FIGURE FOR REFERENCE.

ALL LSX PANELS ARE BUILT WITH THREAD-FORMING SCREWS WITH NIBS THAT CUT THROUGH THE PAINT AND GROUND ALL WALLS OF THE PANEL.

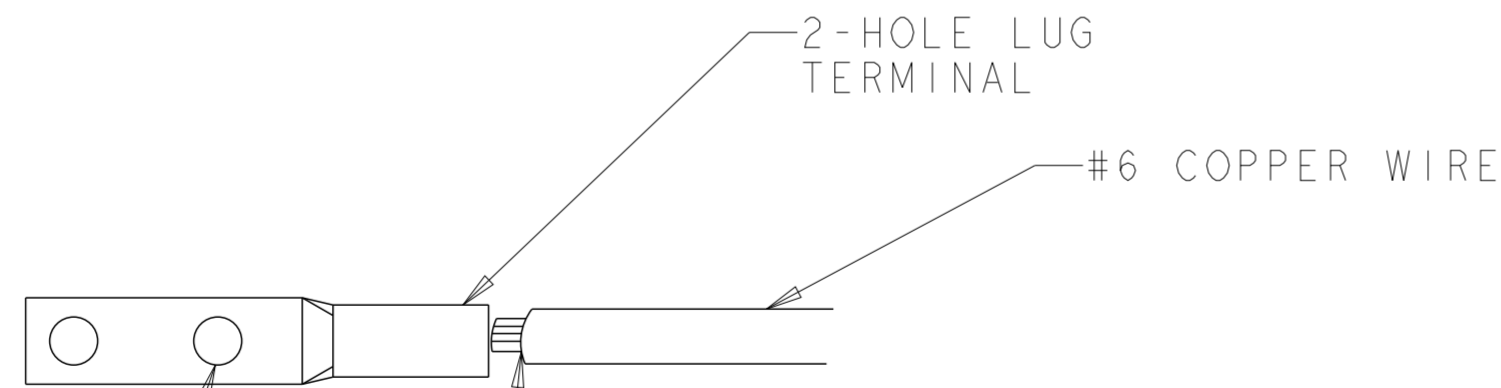
THE TORQUE USED TO ASSEMBLE PANEL WAS 8.5 LBS-10.5 LBS

NOTE:

1. GROUND THE UNIT TO THE LOCAL FACILITY CBN (COMMON BONDING NETWORK) OR IBN (INSOLATED BONDING NETWORK) PER LOCAL PRACTICE.
2. THE FIBER PANEL IS DESIGNED TO BE INSTALLED IN AN ENVIROMENTALLY CONTROLLED NETWORK TELECOMMUNICATIONS FACILITY SUCH AS CENTRAL OFFICE, CONTROLLED ENVIRONMENTAL VAULTS OR DATA CENTER.



LSX PANEL GROUNDING LOCATION (REAR VIEW)



GROUND CABLE AND 2-HOLE LUG TERMINAL

HOLE CENTER SPACING 0.625 INCHES

STRIP BACK INSULATION PER LUG MANUFACTURER'S RECOMMENDATION

COMMSCOPE, INC.			
DRAFTER MIGUEL MUÑOZ	TITLE INST DRW, LSX NG4 CMOD A-F 3RU		
ENGINEER LUIS BALANDRAN	SIZE A2	SCALE 1/8	DOCUMENT NO. 660105340
		CUSTOMER DRAWING	REVISION B SHEET 5 OF 5