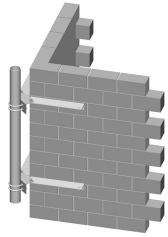


# CW-M2-63

---



Corner Wall Mount, 2-3/8 in OD x 63 in pipe

## Product Classification

**Product Type** Wall mount kit

## General Specifications

**Mounting** Walls

**Pipe, quantity** 1

## Dimensions

**Height** 609.6 mm | 24 in

**Width** 1,219.2 mm | 48 in

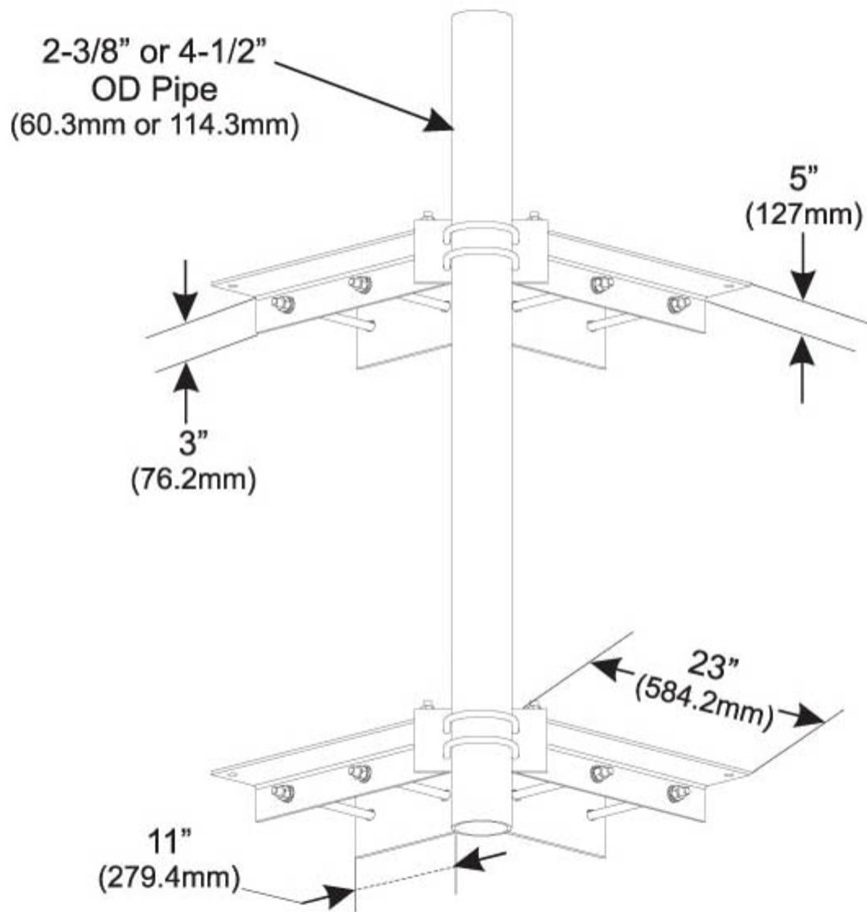
**Length** 1,600.2 mm | 63 in

**Pipe Length** 1,600.2 mm | 63 in

**Pipe Outer Diameter** 60.96 mm | 2.4 in

# CW-M2-63

## Outline Drawing



## Material Specifications

**Material Type** Hot dip galvanized steel

## Mechanical Specifications

**Wind Rating** For Specifications, please contact your local ANDREW representative

## Packaging and Weights

**Included** Brackets (2) | Pipe mounts | Wall mount hardware

**Packaging quantity** 1

**Weight, net** 56.1 kg | 123.679 lb

# CW-M2-63

---

## Regulatory Compliance/Certifications

<b>Agency</b>	<b>Classification</b>
CHINA-ROHS	Above maximum concentration value
ISO 9001:2015	Designed, manufactured and/or distributed under this quality management system
ROHS	Compliant/Exempted
UK-ROHS	Compliant/Exempted



## Included Products

- MT-650-63 – Plain End Pipe, 2-3/8 in OD x 63 in .120" A500C 46Ksi

## \* Footnotes

**Wind Rating** BWS—Base Wind Speed; FBC—Florida Building Code