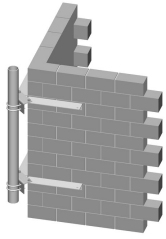


# CW-M4-96

---



Corner Wall Mount, 4-1/2 in OD x 96 in pipe

## Product Classification

**Product Type** Wall mount kit

## General Specifications

**Mounting** Walls

**Pipe, quantity** 1

## Dimensions

**Height** 609.6 mm | 24 in

**Width** 1,219.2 mm | 48 in

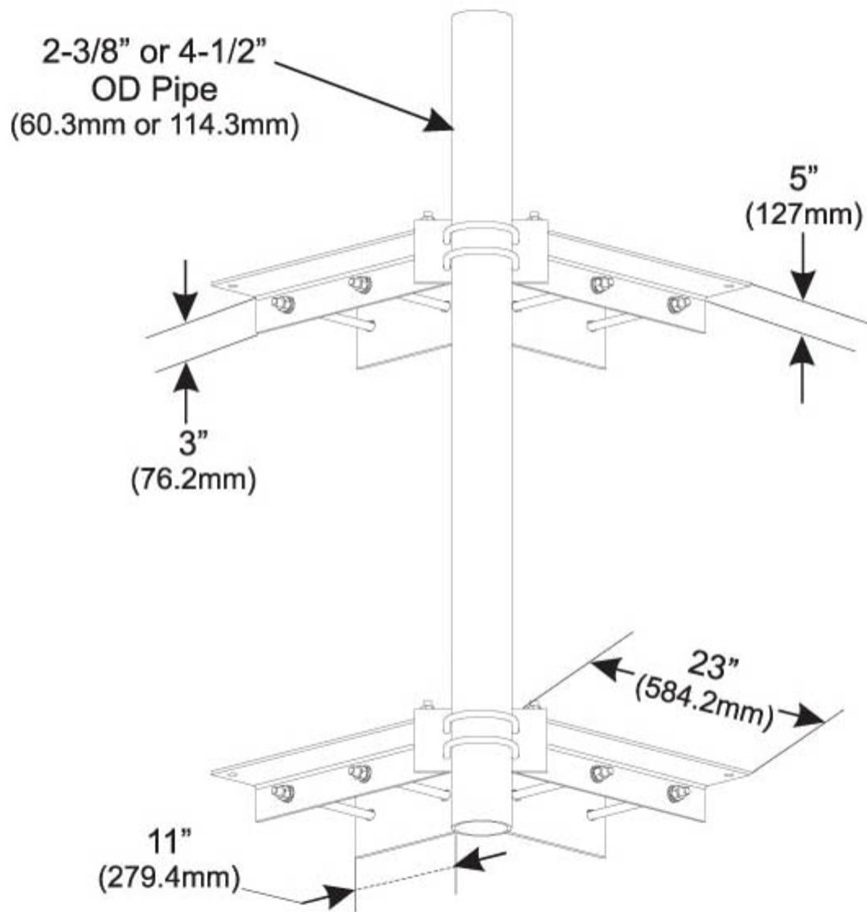
**Length** 2,438.4 mm | 96 in

**Pipe Length** 2,438.4 mm | 96 in

**Pipe Outer Diameter** 114.3 mm | 4.5 in

# CW-M4-96

## Outline Drawing



## Material Specifications

**Material Type** Hot dip galvanized steel

## Mechanical Specifications

**Wind Rating** For Specifications, please contact your local ANDREW representative

## Packaging and Weights

**Included** Brackets (2) | Pipe mounts | Wall mount hardware

**Packaging quantity** 1

**Weight, net** 86.7 kg | 191.141 lb

# CW-M4-96

---

## Regulatory Compliance/Certifications

**Agency**

ISO 9001:2015

**Classification**

Designed, manufactured and/or distributed under this quality management system

## Included Products

MT-654-96 – Plain End Pipe, 4-1/2 in OD x 96 in x .188" A500C  
46Ksi

## \* Footnotes

**Wind Rating**

BWS—Base Wind Speed; FBC—Florida Building Code