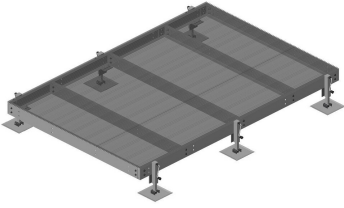


EQ-P1015-AL



Equipment Platform, 10 ft x 15 ft base with six adjustable legs

Product Classification

Product Type Equipment platform system

General Specifications

Legs, quantity 6

Dimensions

Height 685.8 mm | 27 in

Width 3048 mm | 120 in

Length 4572 mm | 180 in

Material Specifications

Material Type Hot dip galvanized steel

Mechanical Specifications

Load Capacity Up to 10,000 lb (4536 kg) loading

Packaging and Weights

Included Frame | Grating | Hardware | Legs

Packaging quantity 1

Weight, net 1,124.9 kg | 2,479.977 lb

Regulatory Compliance/Certifications

Agency	Classification
ISO 9001:2015	Designed, manufactured and/or distributed under this quality management system

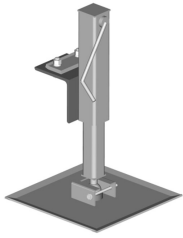
Included Products

- EQ-P-AL – Equipment Platform Adjustable Leg
- EQ-P1015-B – Equipment Platform, 10 ft x 15 ft, base

EQ-P1015-AL

only

EQ-P-AL



Equipment Platform Adjustable Leg

Product Classification

Product Type Equipment platform system

Dimensions

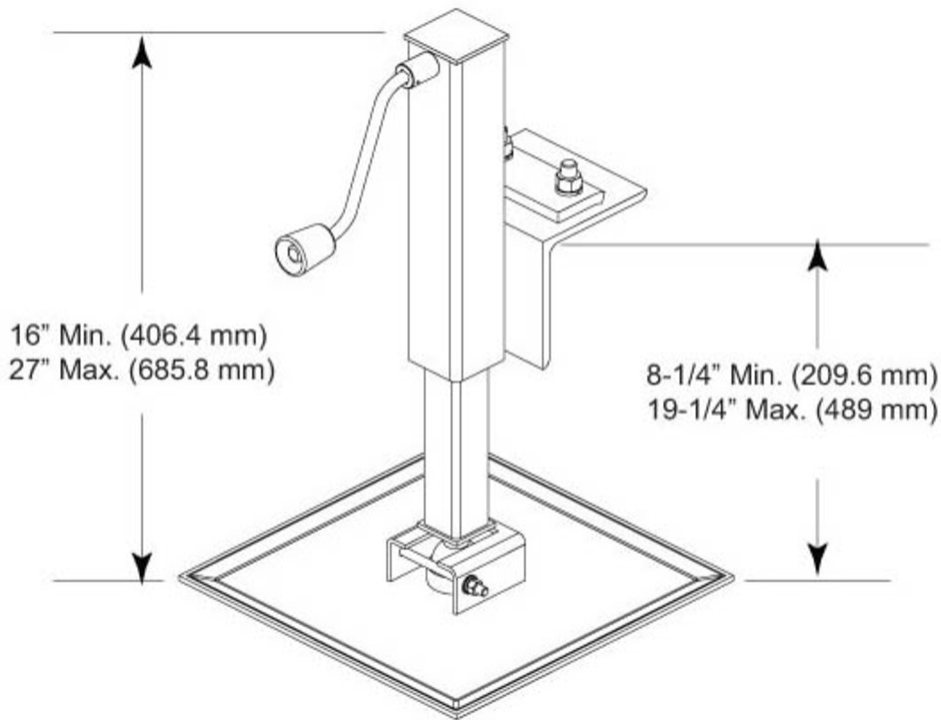
Height 685.8 mm | 27 in

Width 406.4 mm | 16 in

Length 406.4 mm | 16 in

EQ-P-AL

Outline Drawing



Material Specifications

Material Type Hot dip galvanized steel

Packaging and Weights

Included Legs

Packaging quantity 1

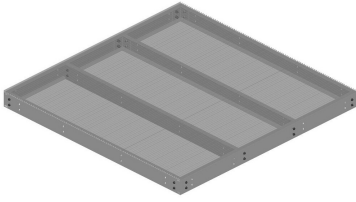
Weight, net 20.4 kg | 44.974 lb

Regulatory Compliance/Certifications

Agency	Classification
CHINA-ROHS	Above maximum concentration value
ISO 9001:2015	Designed, manufactured and/or distributed under this quality management system
ROHS	Compliant/Exempted
UK-ROHS	Compliant/Exempted



EQ-P1015-B



Equipment Platform, 10 ft x 15 ft, base only

Product Classification

Product Type Equipment platform system

General Specifications

Legs, quantity 0

Dimensions

Height 203.2 mm | 8 in

Width 3048 mm | 120 in

Length 4572 mm | 180 in

Material Specifications

Material Type Hot dip galvanized steel

Mechanical Specifications

Load Capacity Up to 10,000 lb (4536 kg) loading

Packaging and Weights

Included Frame | Grating | Hardware

Packaging quantity 1

Weight, net 1,002.5 kg | 2,210.132 lb

Regulatory Compliance/Certifications

Agency	Classification
ISO 9001:2015	Designed, manufactured and/or distributed under this quality management system