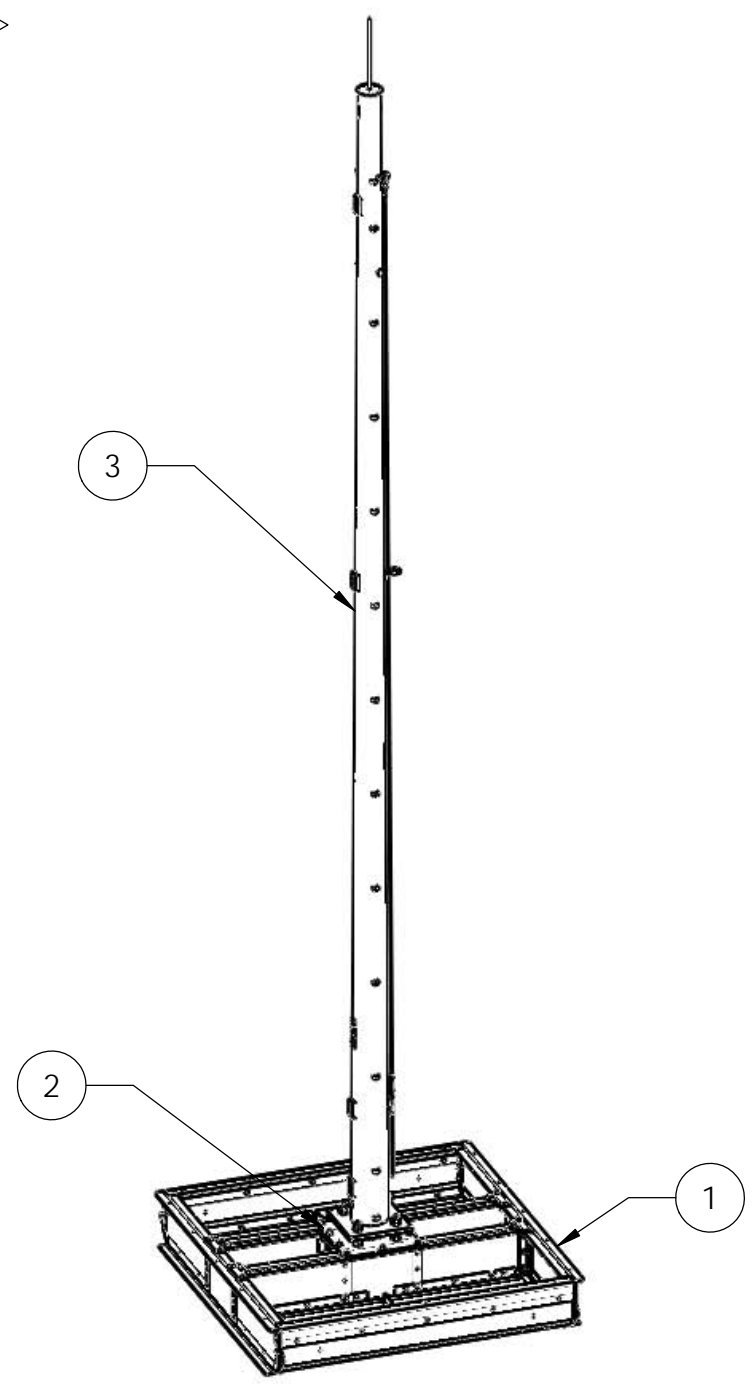


ITEM	PART NO.	DESCRIPTION	QTY.	WEIGHT	NOTE NO.
1	ST-BASE08	BALLAST TRAY	1	1857.70 LBS	
2	SBT07	POLE BASE PLATE	1	108.07 LBS	
3	STBOG3001	POLE, 30' BALLAST	1	628.42 LBS	
4	STBSP30HK	HARDWARE KIT FOR ST-BSP30	1	83.95 LBS	

REVISIONS				
REV.	ECN	DESCRIPTION	BY	DATE
A	8000003507	INITIAL RELEASE	HC	5/1/14
B	8000004682	REPLACED PART# ST-BOG30 WITH STBOG3001	ADW	7/21/14

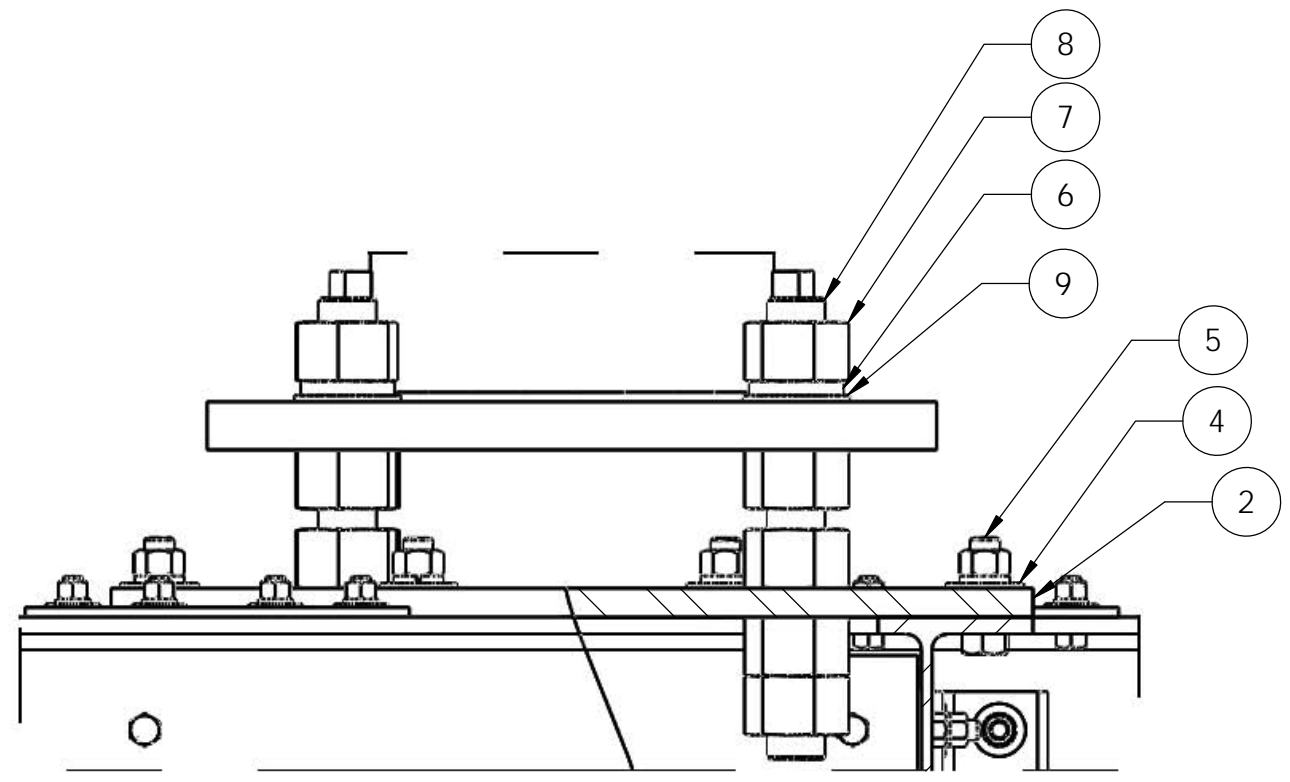
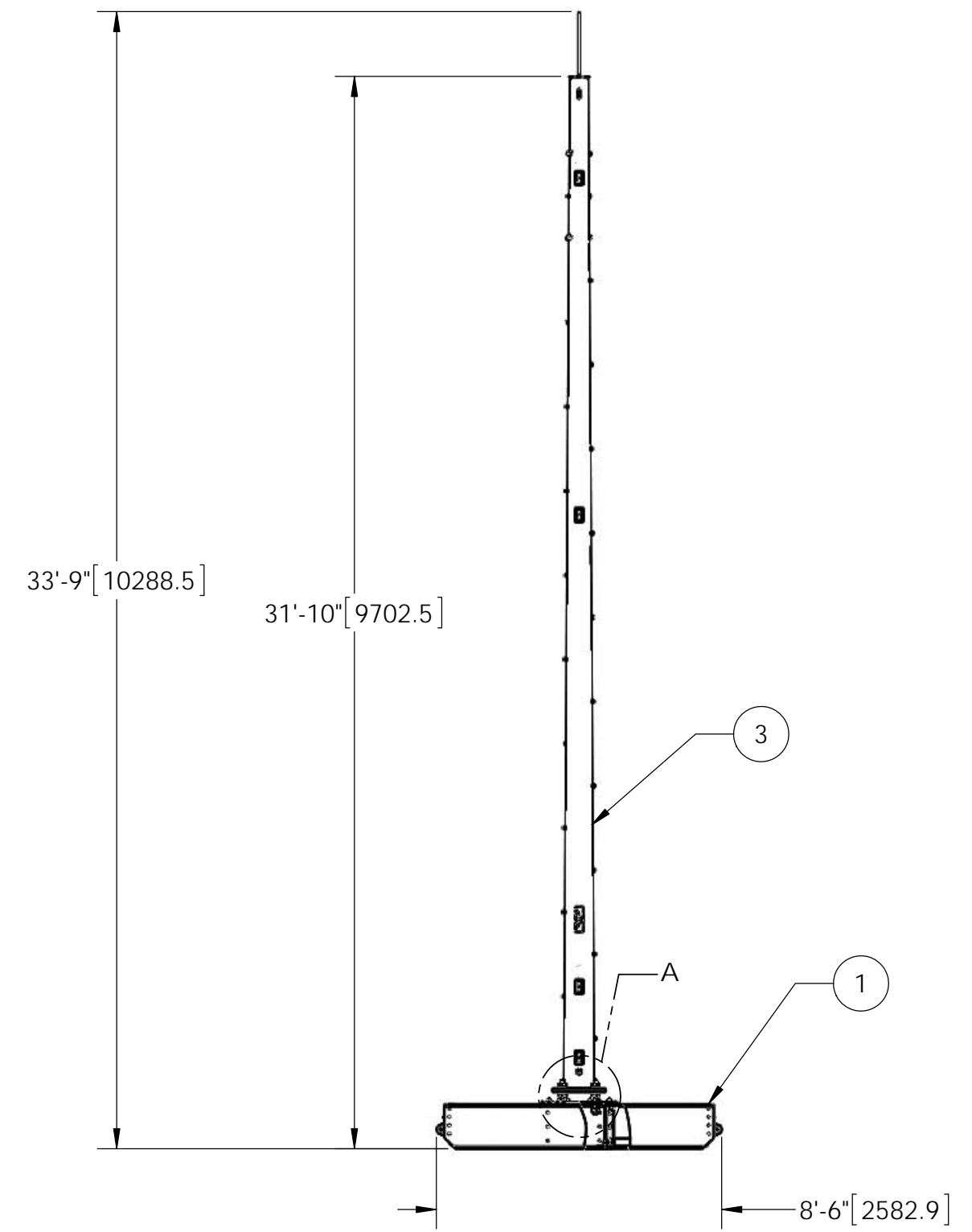


NOTE: FOR ASSEMBLY INSTRUCTIONS
SEE SHEETS 2, 3 AND 4

<p>These drawings and specifications are the proprietary property of CommScope Inc. and may be used only for the specific purpose authorized in writing by CommScope Inc.</p> <p>ALL DIMENSIONS ARE IN INCHES U.O.S. TOLERANCES UNLESS OTHERWISE SPECIFIED: .X = ± .12 ANGLES ±2° .XX = ± .06 FRACTIONS ±1/32 .XXX = ± .03</p> <p>REMOVE BURRS AND BREAK EDGES .005</p> <p>DO NOT SCALE THIS PRINT</p>	DRAWN BY: HC	SHEET: 1 of 4	PART NUMBER: ST-BSP30
	CHECKED BY: AS	SCALE: NTS	DESCRIPTION: BALLAST ASSEMBLY
	DATE: 4/22/14	MATERIAL: 50 KSI	DRAWING TYPE: ASSEMBLY DRAWING
	REVISION: B	FINISH: GALV123	 Hickory, NC 28602 U.S.A.
	WEIGHT: 2676.75 LBS		

ITEM	PART NO.	DESCRIPTION	QTY.	WEIGHT	NOTE NO.
1	ST-BASE08	BALLAST TRAY	1	1857.70 LBS	
2	SBT07	POLE BASE PLATE	1	108.07 LBS	
3	STBOG3001	POLE, 30' BALLAST	1	628.42 LBS	
4	GWF-06	3/4" GALV FLAT WASHER	10	0.10 LBS	
5	GB-06245	3/4" X 2-1/2" GALV BOLT KIT	10	0.48 LBS	
6	GWL-12A	1-1/2" GALV LOCK WASHER F436	4	0.28 LBS	
7	GN-12	1-1/2" GALV. HEX NUT A563	20	1.35 LBS	
8	MTC38615012	1-1/2" X 12" GALV THREADED ROD	4	5.97 LBS	
9	GWF-12A	1-1/2" GALV FLAT WASHER F436	4	0.18 LBS	
10	MTC3089M6817	3X5 HANDHOLE COVER KIT	4	0.82 LBS	
11	MTC3089M6827A	SAFETY CLIMB KIT	1	1.96 LBS	
12	MTC3089M6828	CABLE GUIDE KIT	1	2.06 LBS	
13	SCC30	3/8" SAFETY CLIMB CABLE W/SS CRIMP	1	10.38 LBS	
14	MTC350925	Lightning Rod	1	1.32 LBS	
15	GWL-04	1/2" GALV LOCK WASHER	1	0.01 LBS	
16	GN-04	1/2" GALV HEX NUT	1	0.04 LBS	
17	MTC3089M6815	POLE TOP COVER	1	3.09 LBS	

CUSTOMER ASSEMBLY INSTRUCTIONS
REF: BALLAST MONOPOLE INSTALLATION P/N STBSPINS



DETAIL A
SCALE 1 : 5

These drawings and specifications are the proprietary property of CommScope Inc. and may be used only for the specific purpose authorized in writing by CommScope Inc.

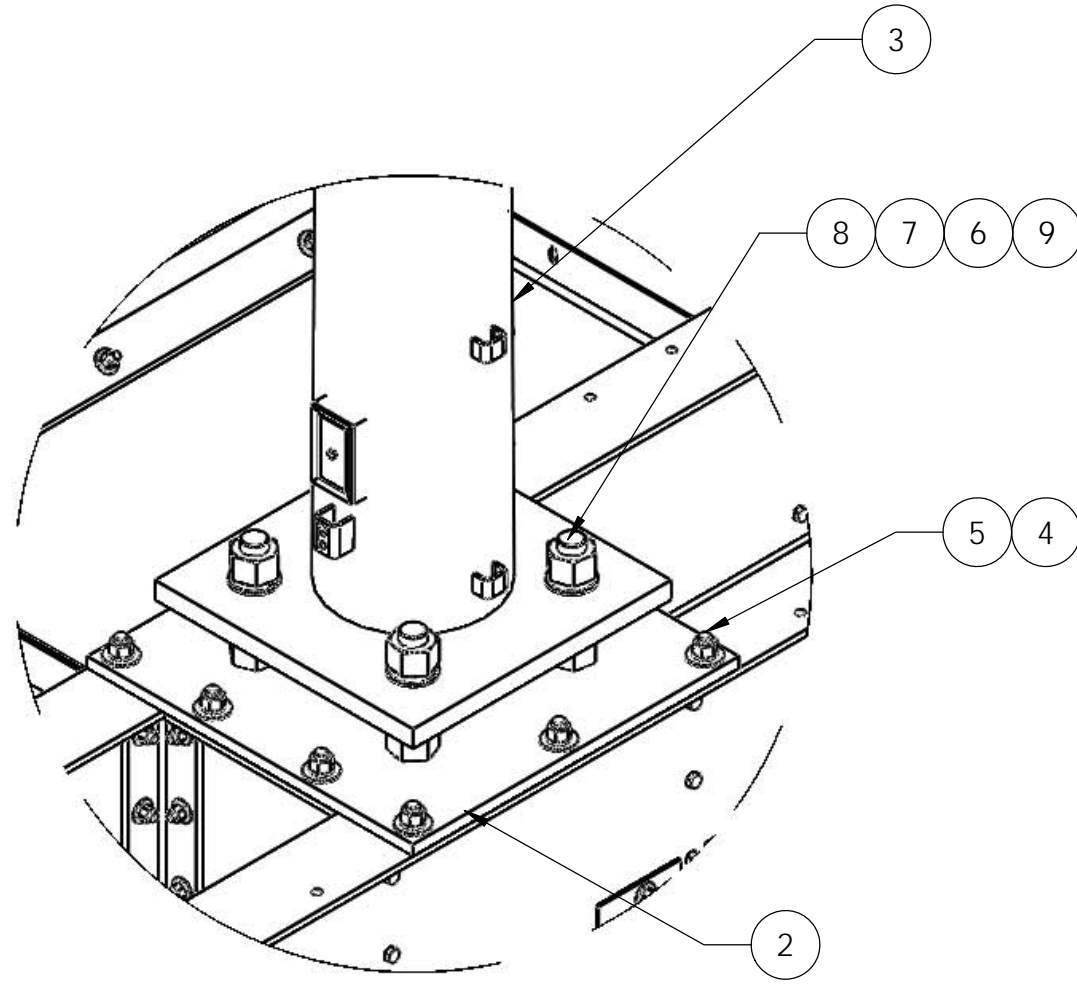
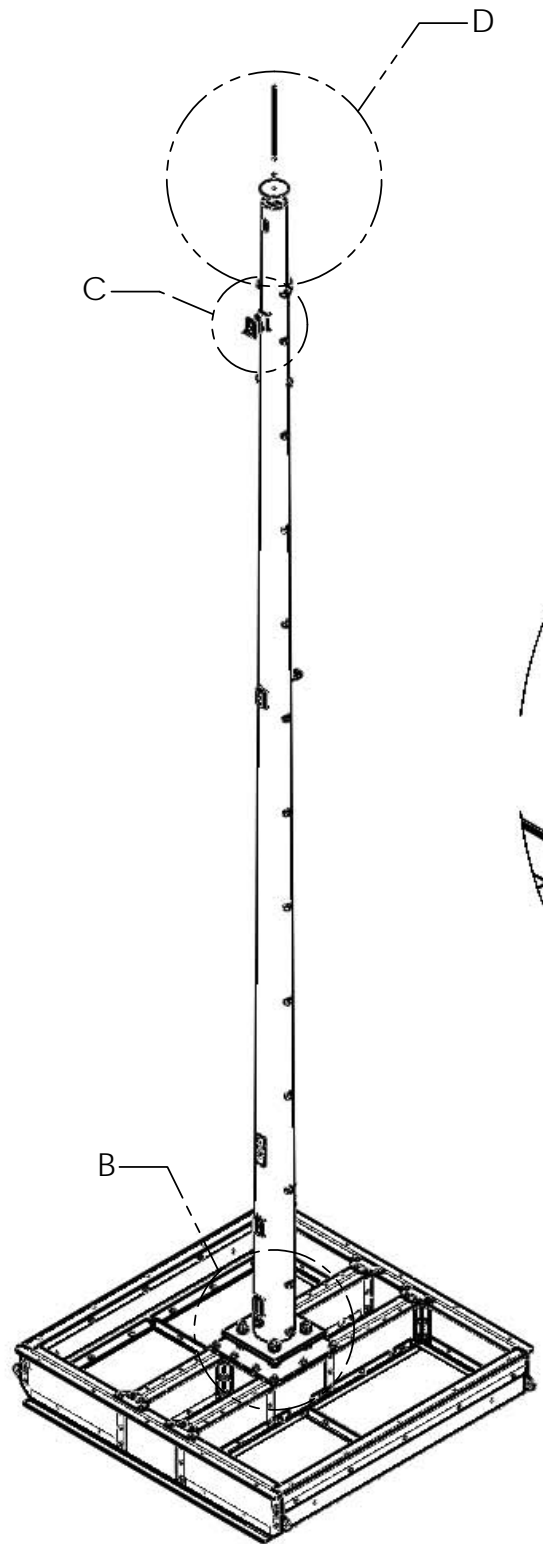
ALL DIMENSIONS ARE IN INCHES U.O.S.
TOLERANCES UNLESS OTHERWISE SPECIFIED:
.X = ± .12 ANGLES ±2'
.XX = ± .06 FRACTIONS ±1/32
.XXX = ± .03

REMOVE BURRS AND BREAK EDGES .005

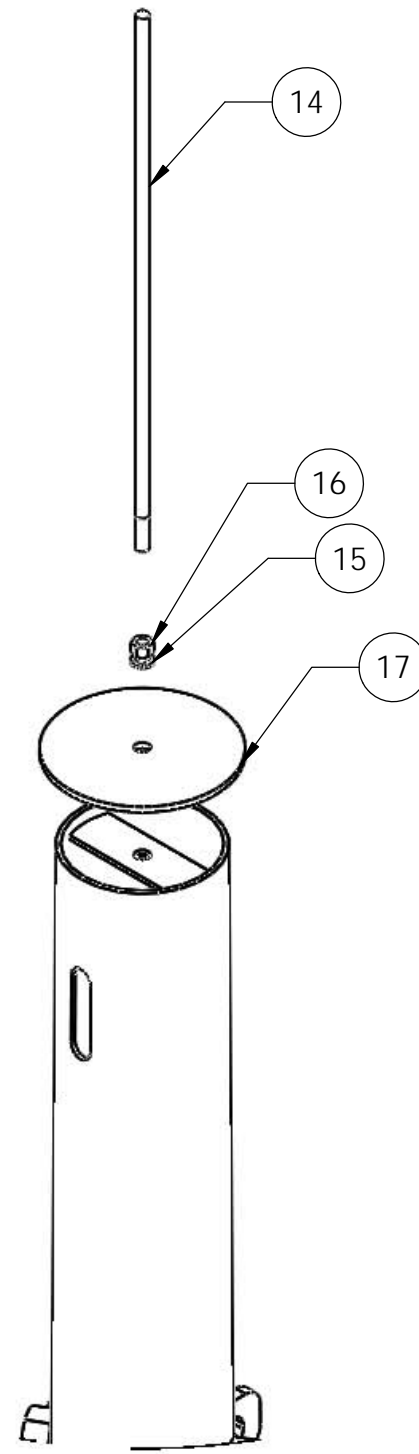
DO NOT SCALE THIS PRINT

DRAWN BY:	HC	SHEET:	2 of 4
CHECKED BY:	AS	SCALE:	NTS
DATE:	4/22/14	MATERIAL:	50 KSI
REVISION:	B	FINISH:	GALV123
		WEIGHT:	2676.75 LBS

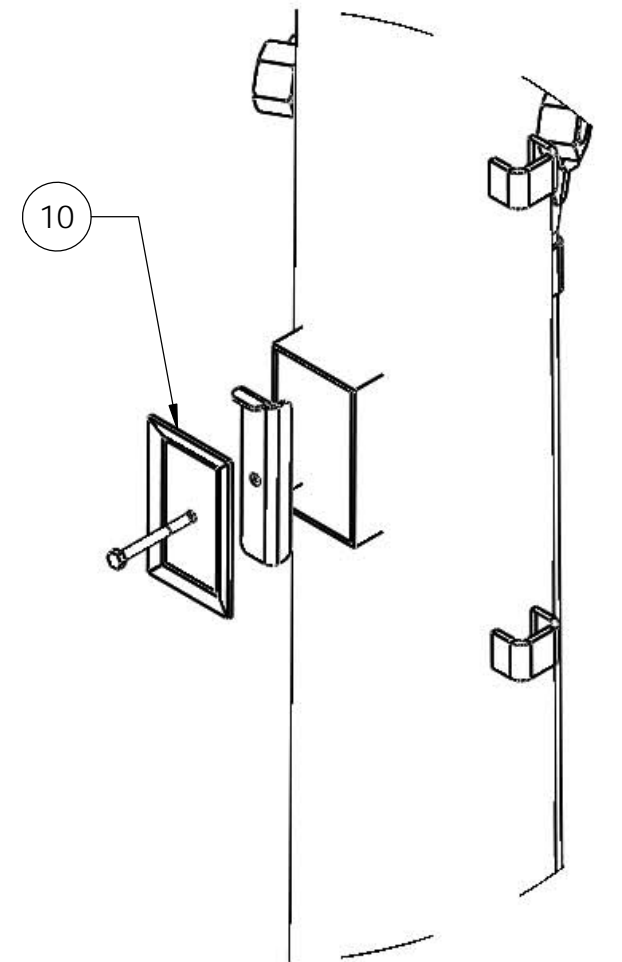
PART NUMBER:	ST-BSP30
DESCRIPTION:	BALLAST ASSEMBLY
DRAWING TYPE:	ASSEMBLY DRAWING
COMMSCOPE®	
Hickory, NC 28602 U.S.A.	



DETAIL B
SCALE 1 : 10



DETAIL D
SCALE 1 : 7



4X DETAIL C
SCALE 1 : 5

These drawings and specifications are the proprietary property of CommScope Inc. and may be used only for the specific purpose authorized in writing by CommScope Inc.

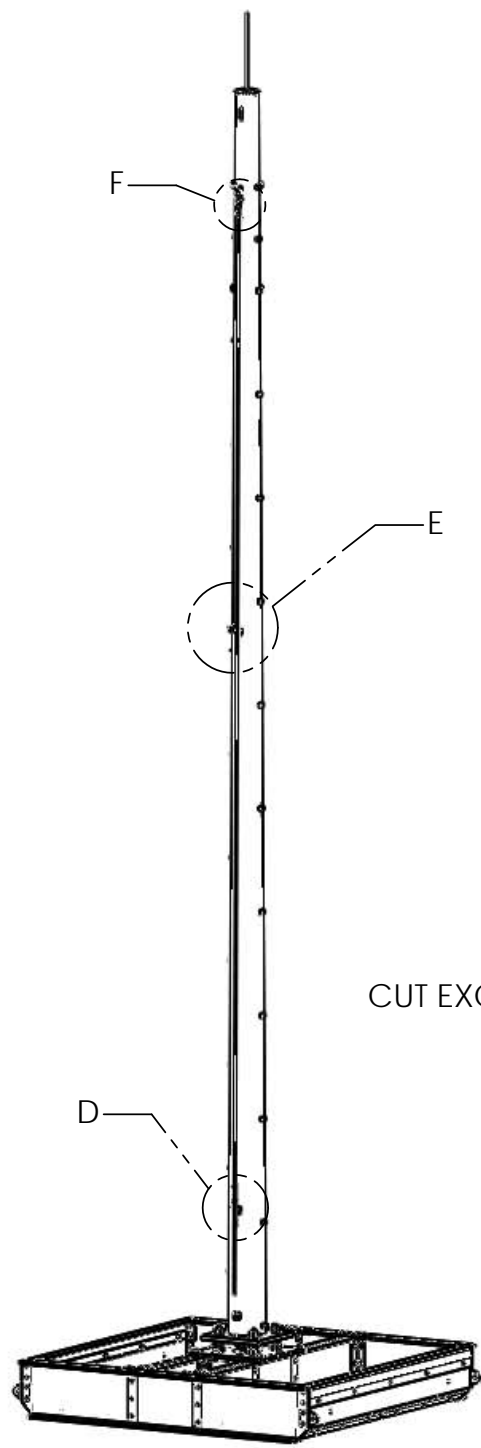
ALL DIMENSIONS ARE IN INCHES U.O.S.
TOLERANCES UNLESS OTHERWISE SPECIFIED:
.X = ± .12 ANGLES ±2°
.XX = ± .06 FRACTIONS ±1/32
.XXX = ± .03

REMOVE BURRS AND BREAK EDGES .005

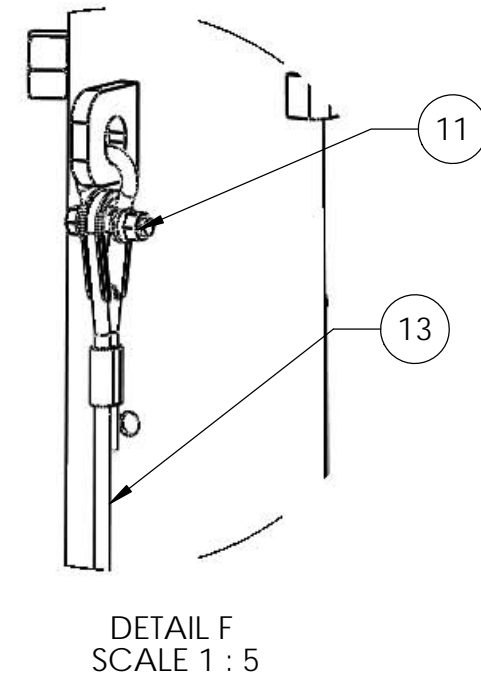
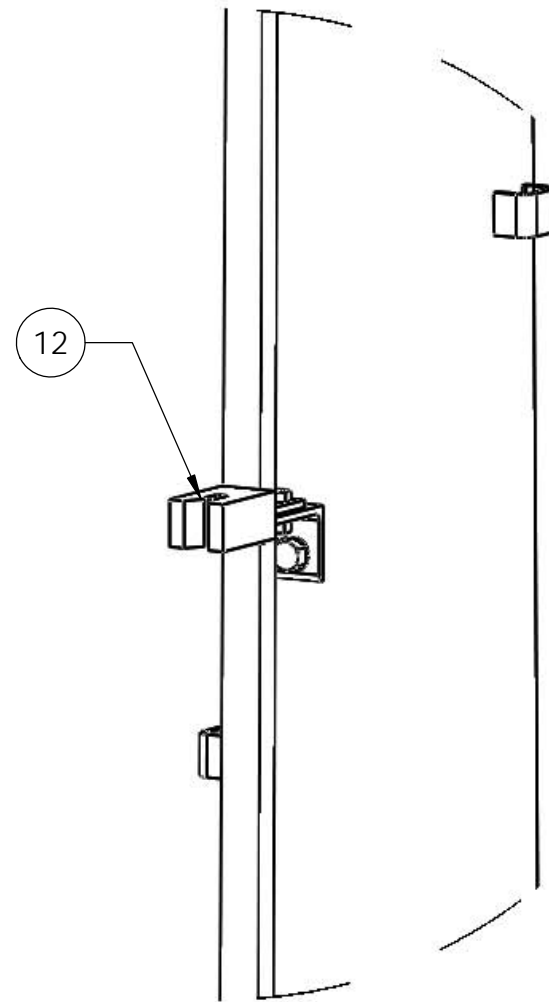
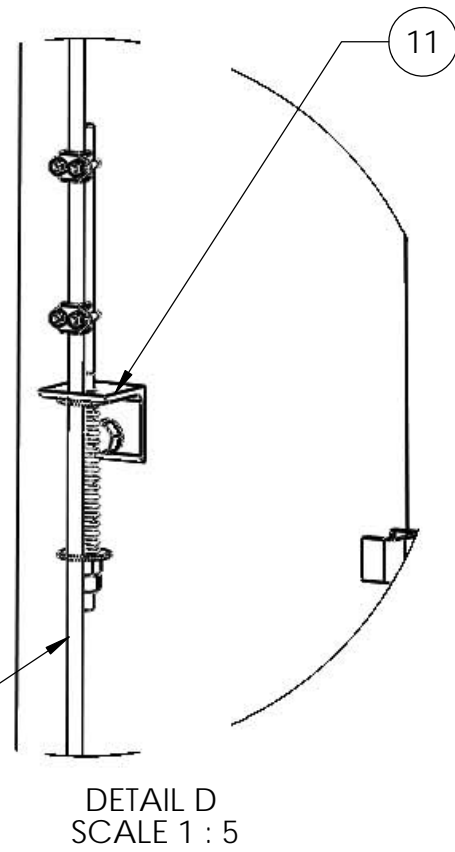
DO NOT SCALE THIS PRINT

DRAWN BY: HC	SHEET: 3 of 4
CHECKED BY: AS	SCALE: NTS
DATE: 4/22/14	MATERIAL: 50 KSI
REVISION: B	FINISH: GALV123
	WEIGHT: 2676.75 LBS

PART NUMBER: ST-BSP30
DESCRIPTION: BALLAST ASSEMBLY
DRAWING TYPE: ASSEMBLY DRAWING
COMMSCOPE® Hickory, NC 28602 U.S.A.



CUT EXCESS CABLE



These drawings and specifications are the proprietary property of CommScope Inc. and may be used only for the specific purpose authorized in writing by CommScope Inc.

ALL DIMENSIONS ARE IN INCHES U.O.S.
TOLERANCES UNLESS OTHERWISE SPECIFIED:
.X = ± .12 ANGLES ±2°
.XX = ± .06 FRACTIONS ±1/32
.XXX = ± .03

REMOVE BURRS AND BREAK EDGES .005

DO NOT SCALE THIS PRINT

DRAWN BY: HC	SHEET: 4 of 4
CHECKED BY: AS	SCALE: NTS
DATE: 4/22/14	MATERIAL: 50 KSI
REVISION: B	FINISH: GALV123
	WEIGHT: 2676.75 LBS

PART NUMBER: ST-BSP30
DESCRIPTION: BALLAST ASSEMBLY
DRAWING TYPE: ASSEMBLY DRAWING
COMMSCOPE® Hickory, NC 28602 U.S.A.