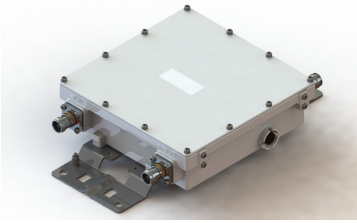


E14F06P77



Single Diplexer, 703-960/863-870 MHz, dc by pass on 703-960 band port

- Designed for network Modernization, introduction of LoRa system on existing site
- New 4.3-10 connectors for improved PIM performance and size reduction
- Single configuration
- dc/AISG pass-through on low frequency ports

Product Classification

Product Type Diplexer

General Specifications

Color Gray

Modularity 1-Single

Mounting Pole | Wall

Mounting Pipe Hardware Band clamps (2)

RF Connector Interface 4.3-10 Female

Dimensions

Height 236 mm | 9.291 in

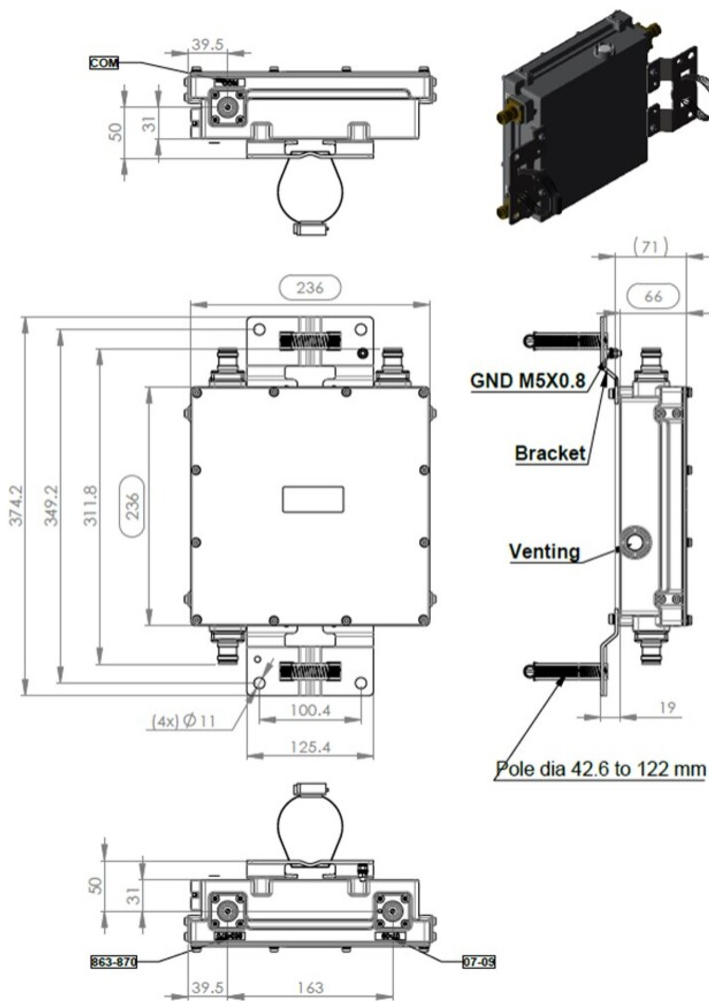
Width 236 mm | 9.291 in

Depth 66 mm | 2.598 in

Mounting Pipe Diameter Range 42.6–122 mm

Outline Drawing

E14F06P77



Electrical Specifications

Impedance	50 ohm
License Band, Band Pass	EU868 for LoRa system
Lightning Surge Current	5 kA
Lightning Surge Current Waveform	8/20 waveform

Electrical Specifications, dc Power/Alarm

dc/AISG Pass-through Method	Factory set
dc/AISG Pass-through Path	Branch 1
dc/AISG Pass-through, combiner	Branch 1
dc/AISG Pass-through, demultiplexer	Branch 1

E14F06P77

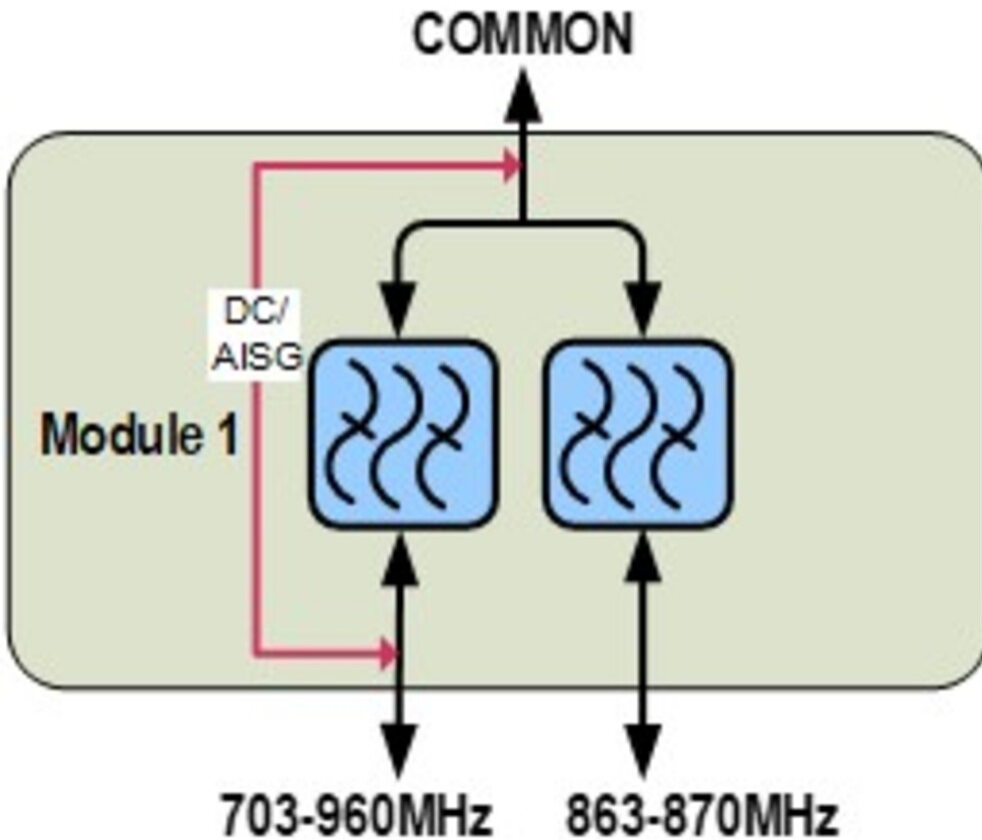
Electrical Specifications

Sub-module	1 2	1 2
License Band	APT 700, Band Pass CEL 900, Band Pass	EU868 for LoRa system

Electrical Specifications, Band Pass

Frequency Range, MHz	703–960	863–870
Insertion Loss, typical, dB	0.1	0.4
Return Loss, typical, dB	20	20
Isolation, minimum, dB	65	65
Input Power, RMS, maximum, W	250	1
Input Power, PEP, maximum, W	2500	10
3rd Order PIM, typical, dBc	-162	-162
3rd Order PIM Test Method	2 x 20 W CW tones	2 x 20 W CW tones

Block Diagram



Environmental Specifications

Operating Temperature	-40 °C to +65 °C (-40 °F to +149 °F)
Corrosion Test Method	IEC 60068-2-11, 30 days
Environmental Test Method	ETSI EN 300 019-1-4
Ingress Protection Test Method	IEC 60529:2001, IP67

Packaging and Weights

Included	Mounting hardware
Volume	3.7 L
Weight, net	4.6 kg 10.141 lb
Weight, without mounting hardware	4 kg 8.818 lb