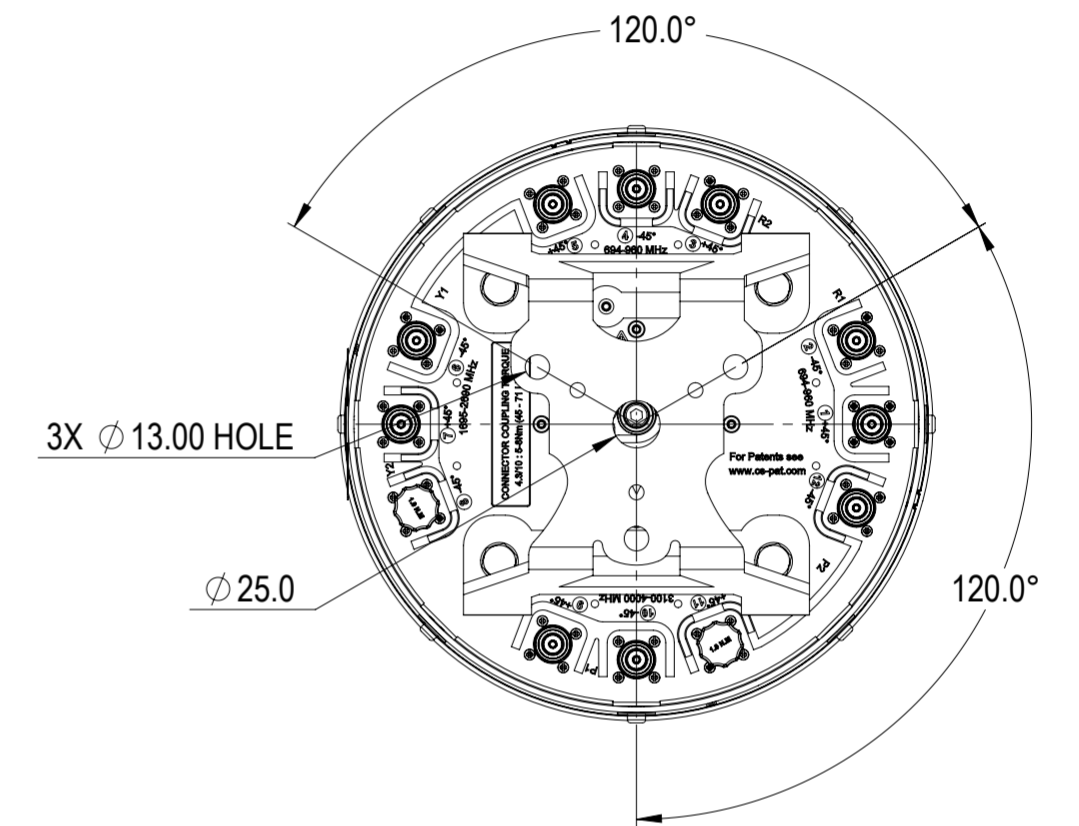
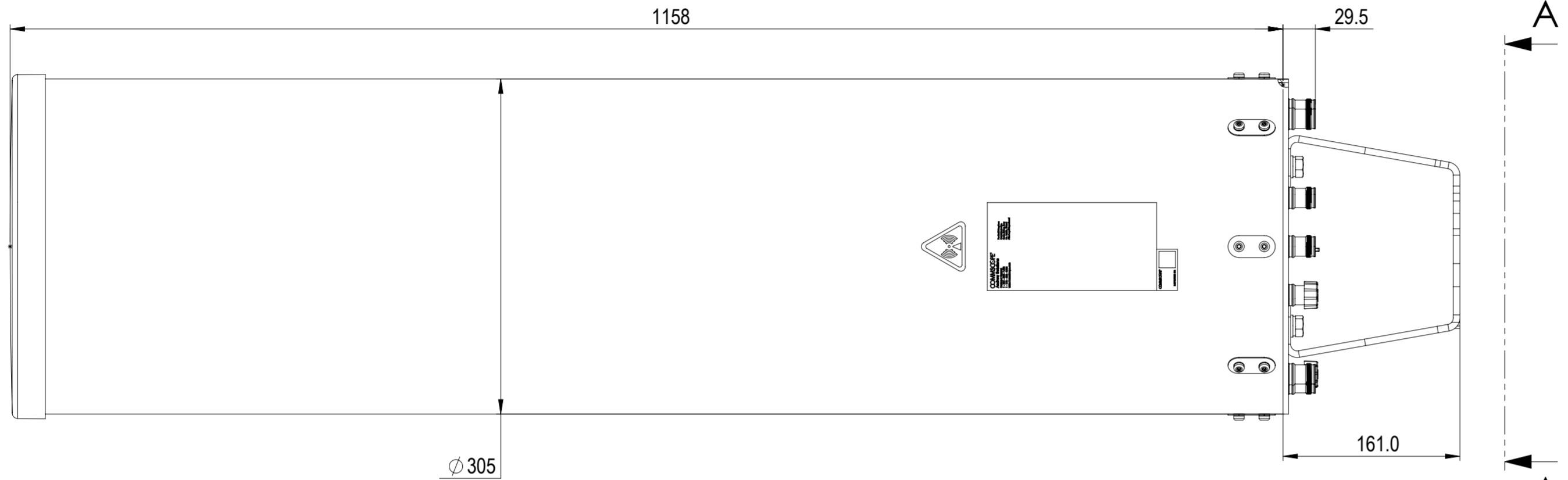
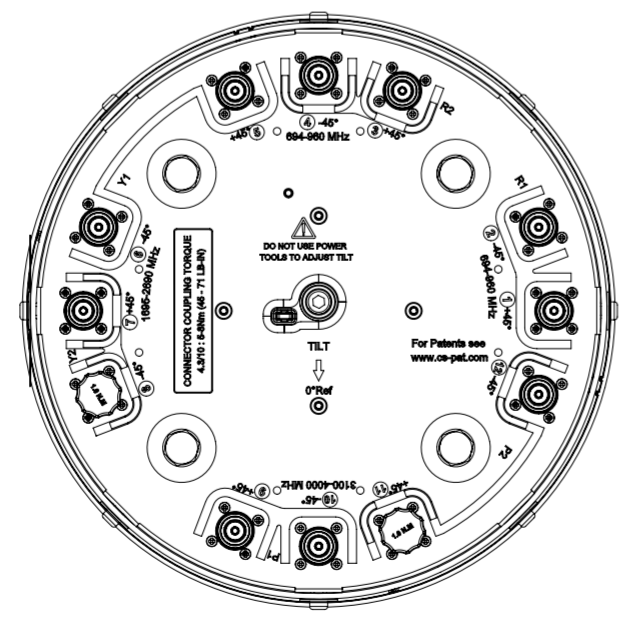


REVISIONS			
REV.	DESCRIPTION	DATE	APPROVED
A	ECR 40146021 CMO: REL TO PRODUCTION PER EAO 610906.	13JUN22 WZQ	WSD/CHY



RRVSS-360M-M



VIEW A-A
BRACKET NOT SHOWN

COMMSCOPE, INC. OF NORTH CAROLINA											
TOLERANCES						SAP MATERIAL MASTER					
0 PLACE X ±			2 PLACE .XX ±			1 PLACE .X ±			ANGLES ±		
FINISH						MATERIAL					
PRODUCT DRAWING											
SCALE: 1:4 DOCUMENT NO: RRVSS-360M-M-L											
ECN 40146021CMO											
SIZE		Auth Group		BSA		MODEL		DRAWING		SHEET	
A2						VERSION		STATUS		REVISION	
						00		RE		A	
						00		RE		A	

DENSITY	g/mm ³
MASS	grams
VOLUME	mm ³
SURFACE AREA	mm ²
HEIGHT	
LENGTH	
WIDTH	