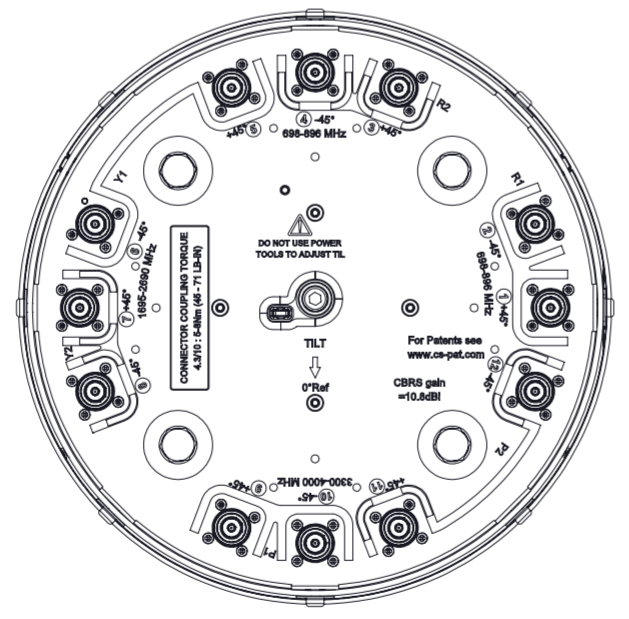
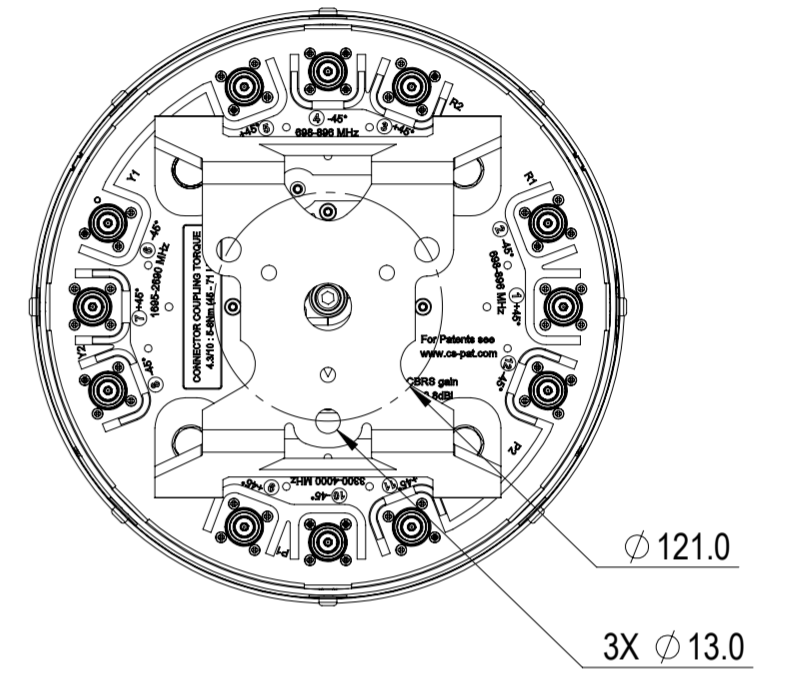


REVISIONS			
REV.	DESCRIPTION	DATE	APPROVED
A	ECR XXXXPC: REL TO PRODUCTION PER EAO XXXX.		WSD / CHY



NNVVSS-360M-M



VIEW A-A
BRACKET NOT SHOWN

COMMScope, INC. OF NORTH CAROLINA			
TOLERANCES		SAP MATERIAL MASTER	
0 PLACE	X ±	2 PLACE	.XX ±
1 PLACE	.X ±	ANGLES	±
FINISH	MATERIAL		N/A
N/A	N/A		
UNLESS OTHERWISE SPECIFIED DIMENSIONS ARE IN MILLIMETERS INTERPRET PER ISO STANDARDS HANDBOOK TECHNICAL DRAWINGS VOLUMES 1 & 2, THIRD EDITION (2002)	NAME	DATE	TITLE
	CE XG1026	4/6/2022	PRODUCT DRAWING
	RW		
	AD		
	RE		
ECN			
SCALE	DOCUMENT NO.		
1:4	NNVVSS-360M-M-L		
SIZE	Auth Group	MODEL	DRAWING
A2		VERSION	STATUS
		REVISION	VERSION
			STATUS
			REVISION
			SHEET
			1 OF 1

DENSITY	g/mm ³
MASS	grams
VOLUME	mm ³
SURFACE AREA	mm ²
HEIGHT	
LENGTH	
WIDTH	