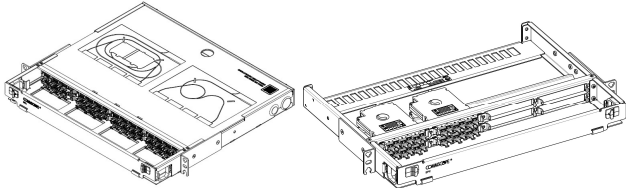


EPX Panel for CHD Module

1. INTRODUCTION

This instruction covers the proper use of EPX panel that can accept CHD module, CHD splicing cassette, CHD adaptor pack (MPO / LC)



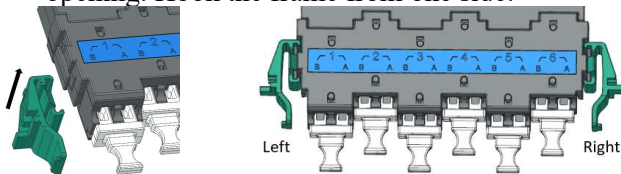
EPX Panel (1U Shown)

Ordering information is listed below.

MID	Description
760254041	EPX-1U-CHD-ENC
760254042	EPX-1U-CHD-ENC-FX
760254043	EPX-1U-CHD-OPEN-FX
760254044	EPX-CHD-ADPT-BRKT-4PK
760254045	EPX-CHD-BLANK-4PK

2. CHD module with plastic bracket installation

2.1 Align the bezel hook with the corresponding frame opening. Hook the frame from one side.



2.2 EPX panel with CHD module

Put one end in first, then push the other end in



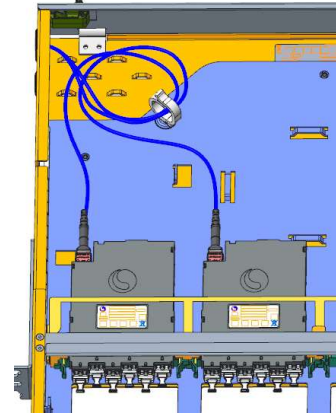
2.3 EPX panel with bland plate

Put one end in first, then push the other end in

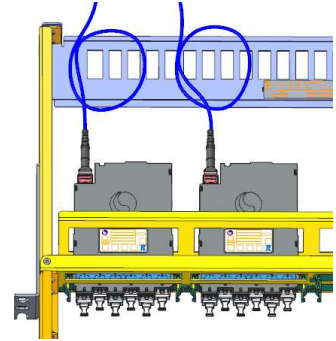


3. Cable routing

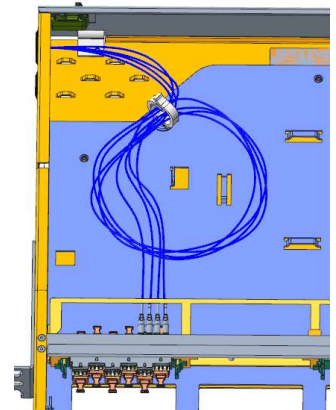
a. EPX with CHD Module
For EPX-ENC and EPX-ENC-FX



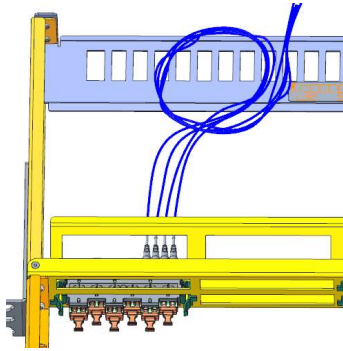
For EPX-OPEN-FX



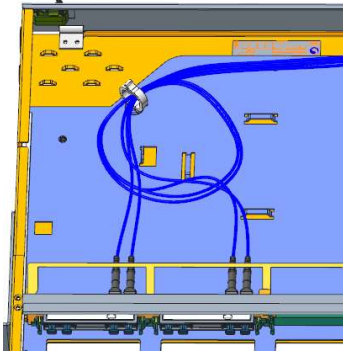
b. EPX with CHD adaptor pack LC
For EPX-ENC and EPX-ENC-FX



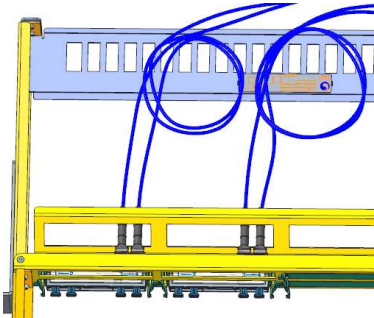
For EPX-OPEN-FX



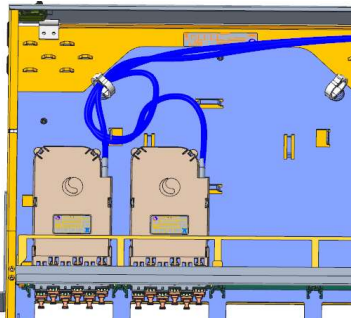
c. EPX with CHD adaptor pack MPO
For EPX-ENC and EPX-ENC-FX



For EPX-OPEN-FX



d. EPX with CHD splicing cassette
For EPX-ENC and EPX-ENC-FX



For EPX-OPEN-FX

