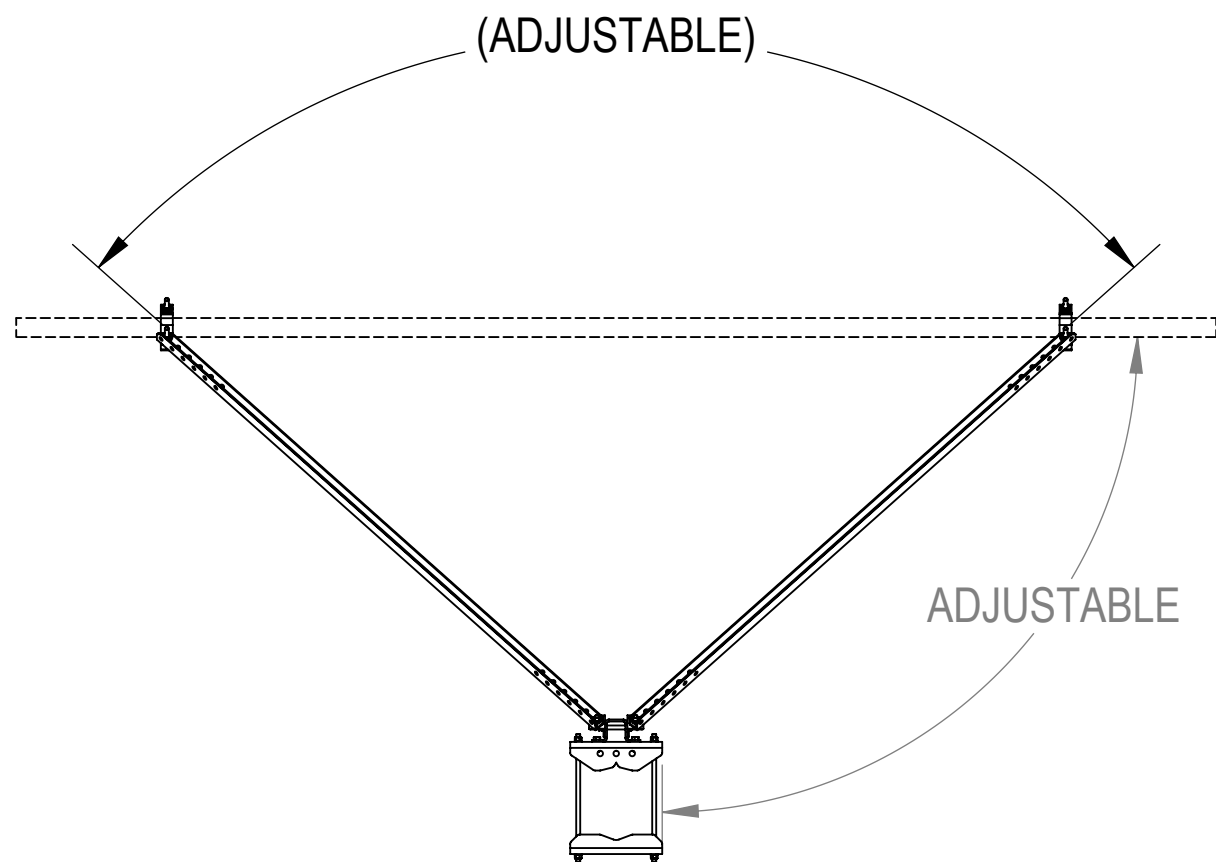


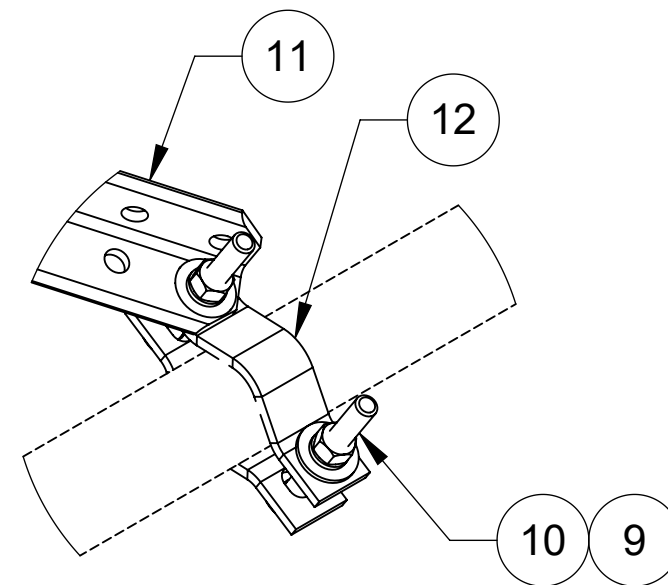
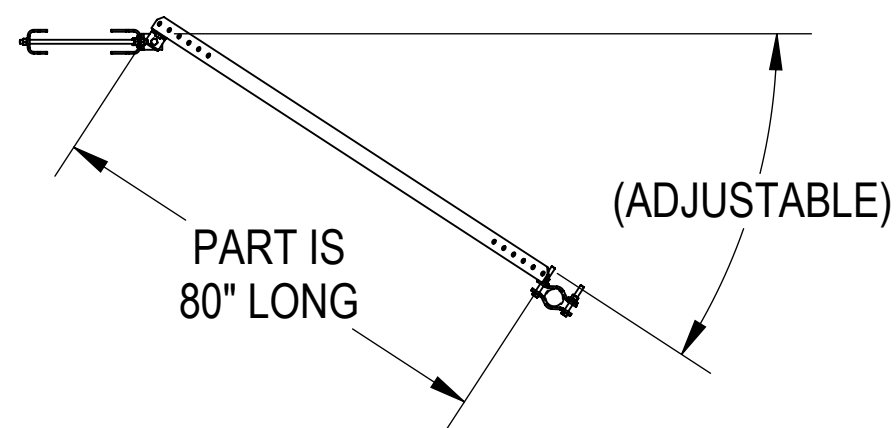
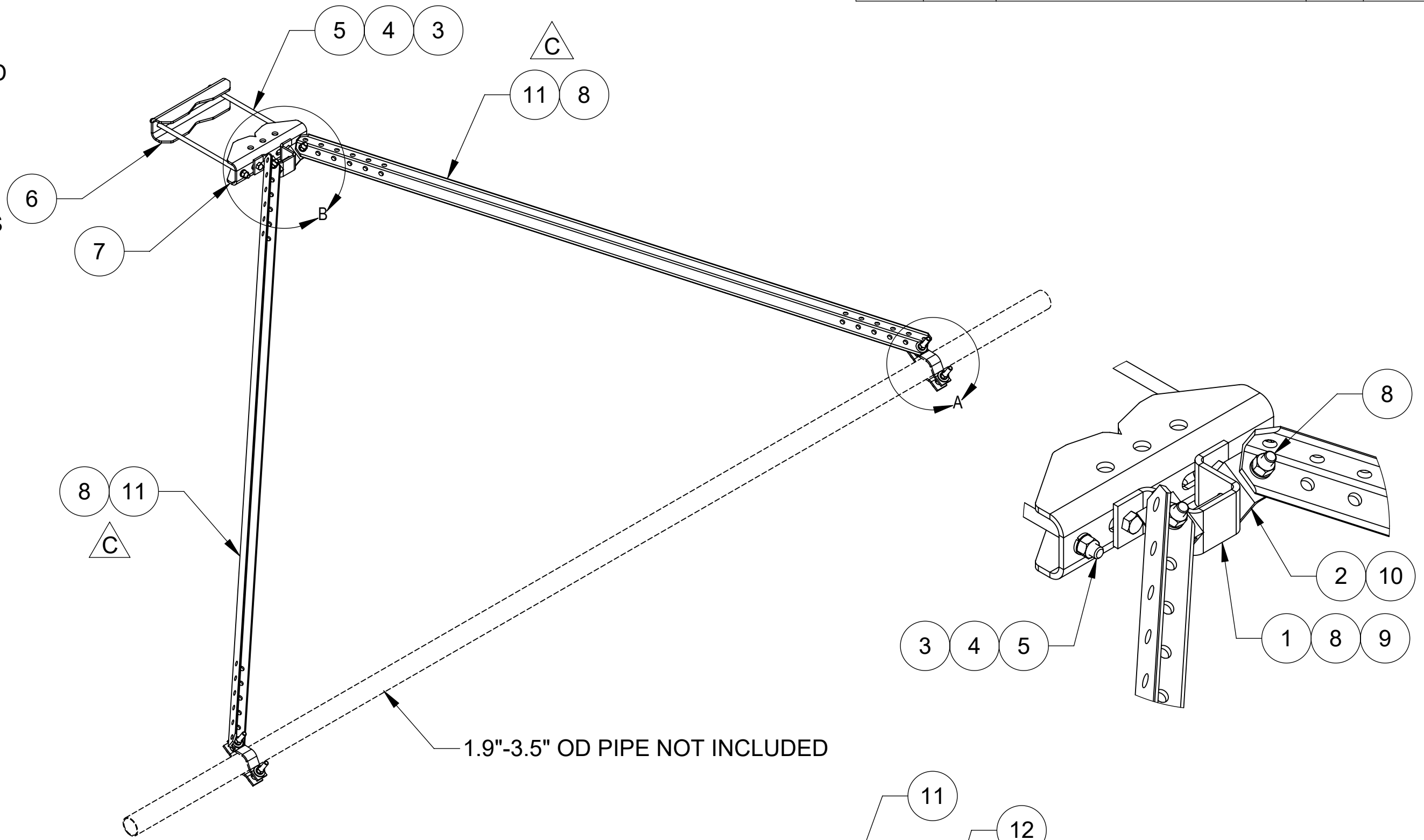
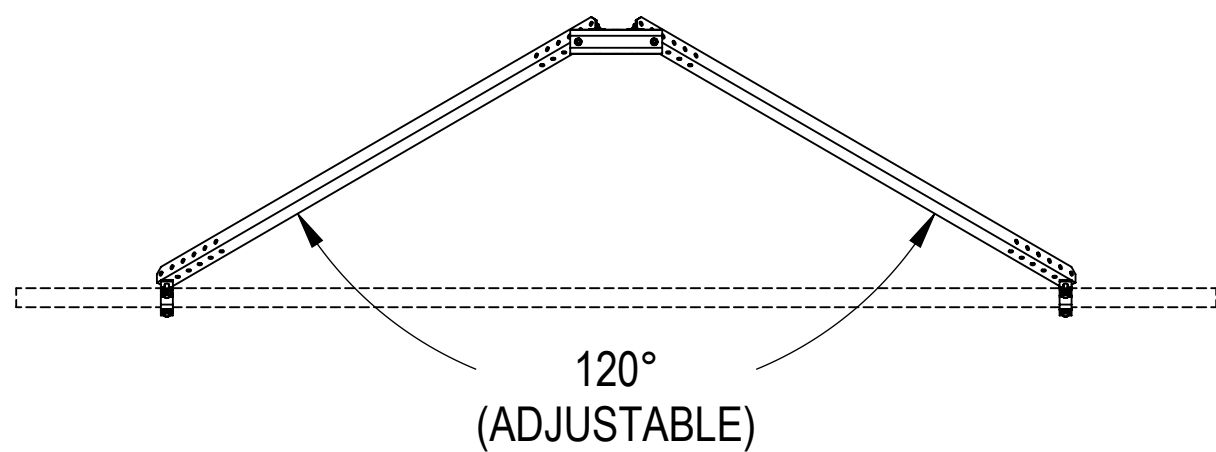
NOTES:

- 1. GENERAL NOTES
 - 1.1 ALL METRIC DIMENSIONS ARE IN BRACKETS
 - 1.2 MARK PART WITH IDENTIFICATION NUMBER
- 2. DESIGN NOTES
 - 2.1 FITS TOWER LEGS 2" TO 8" OD
 - 2.2 ALL DIMENSIONS SHOWN ARE FOR REFERENCE ONLY
ALL CONNECTIONS ARE ADJUSTABLE. FINAL INSTALLED APPLICATION DICTATES FINISHED DIMENSIONS.
- 3. MANUFACTURING/SPECIAL REQUIREMENTS
 - 3.1 TORQUE HARDWARE TO 60 FT-LBS
 - 3.2 FINISH: GALVANIZE ASTM A123
- 4. TEST
- 5. PACKAGING
 - 5.1 PACKAGING SHALL MEET COMMSCOPE REQUIREMENTS PER DOCUMENT IS-PL-3005

REVISIONS				
REV.	ECN	DESCRIPTION	BY	DATE
A	8000028066	INITIAL RELEASE	RDLs	1/17/18
B	8000029765	ADDED DETAIL VIEWS & DIMENSIONS TO VIEWS	RJC	05/10/218
C	11410	MTC3932-0080 WAS MTC393215	RJC	7/1/2021



UP TO ±30° AZIMUTH ADJUSTMENT OFF APEX



ITEM	PART NO.	DESCRIPTION	QTY.	WEIGHT	NOTE NO.
1	MTC393216	BRACKET, PIVOT ATTACHMENT	1	1.41 LBS	
2	MTC393211	BRACKET, PIVOT	2	0.37 LBS	
3	GN-04	1/2" GALV HEX NUT	7	0.04 LBS	
4	GWL-04	1/2" GALV LOCK WASHER	5	0.01 LBS	
5	MT37916	1/2" X 16" GALV THREADED ROD	2	0.88 LBS	
6	MTC397531	BACK BRACKET, SM-U2080LD	1	5.15 LBS	
7	MTC397532	FRONT BRACKET, SM-U2080LD	1	5.97 LBS	
8	GB-04145	1/2" X 1-1/2" GALV BOLT KIT	4	0.13 LBS	
9	GWF-04	1/2" GALV FLAT WASHER	10	0.04 LBS	
10	1204FTB	1/2" x 4" FULL THREAD GALV. BOLT	5	0.26 LBS	
11	MTC3932-0080	ANGLE, 80" SUPPORT ARM	2	20.55 LBS	
12	ACP10	1.5" - 3.5" O.D. CLAMP HALF	4	0.61 LBS	

COMMSCOPE, INC. OF NORTH CAROLINA

TOLERANCES		SAP MATERIAL MASTER	
0 PLACE X ± .25	2 PLACE .XX ± 0.06	VSRAL-TS-B	
1 PLACE .X ± 0.12	ANGLES ± 2°		
FINISH GALV A123		MATERIAL A1011/A1018; A520	

UNLESS OTHERWISE SPECIFIED DIMENSIONS ARE IN INCHES INTERPRET PER ANSI Y 14.5M-1994	NAME	DATE	V-STABILIZER, ADJUSTABLE, SINGLE, LARGE
	CE RJC	06/14/21	
	RW BCAMPBELLCON	07/15/2021	
	AD BCROSS	08/19/2021	
RE BCROSS	08/19/2021	SCALE 1:12	DOCUMENT NO. VSRAL-TS-B
ECN 11410PC	SIZE Auth Group INSL	MODEL	DRAWING
	C	VERSION 00	STATUS RE
		REVISION C	VERSION 00
			STATUS RE
			REVISION C
			SHEET 1 OF 1

DENSITY	0.28	lbs/in ³
MASS	97.96	lbs
VOLUME	345.88	in ³
SURFACE AREA		in ²
HEIGHT		
LENGTH		
WIDTH		