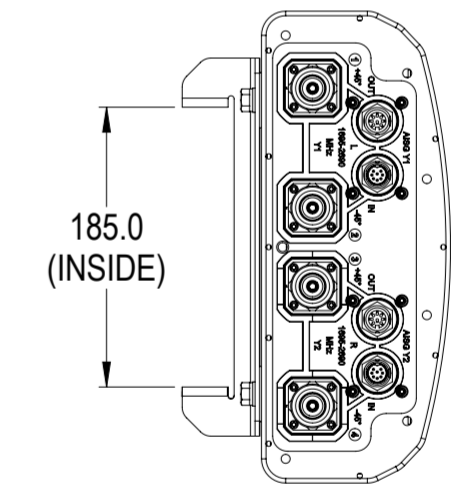
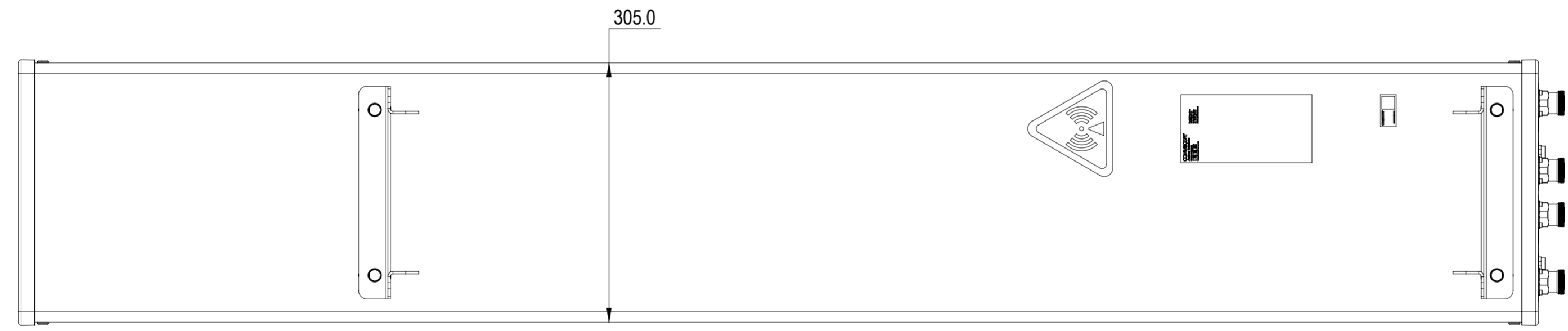
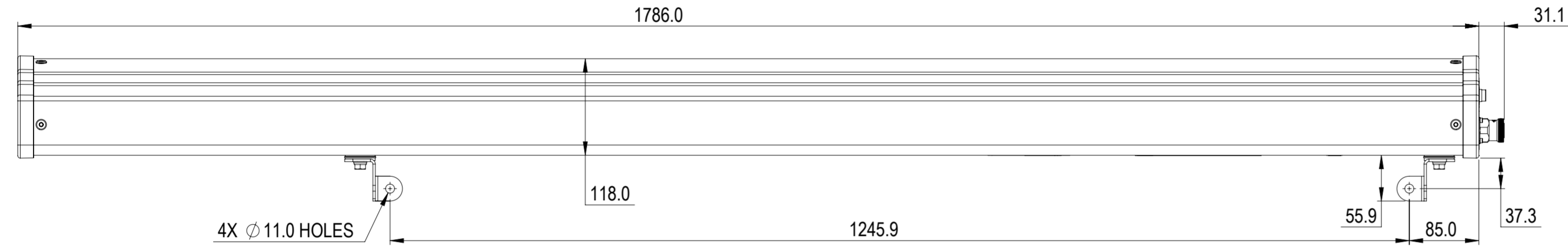


NOTES:

REVISIONS			
REV.	DESCRIPTION	DATE	APPROVED
A	ECR 8000010578: RELEASE TO PRODUCTION PER EAO 603109.	09DEC15 L.Z	LMS / L.TIAN



VV-65B-R2

COMMSCOPE, INC. OF NORTH CAROLINA

TOLERANCES		SAP MATERIAL MASTER	
0 PLACE X ±	2 PLACE .XX ±		
1 PLACE .X ±	ANGLES ±		
FINISH		MATERIAL	

UNLESS OTHERWISE SPECIFIED DIMENSIONS ARE IN MILLIMETERS INTERPRET PER ISO STANDARDS HANDBOOK TECHNICAL DRAWINGS VOLUMES 1 & 2, THIRD EDITION (2002)	NAME	DATE	PRODUCT DRAWING
	CE LZ	09DEC15	
	RW LZ1032	12/10/2015	
	RV ML1035	12/10/2015	
	AD LT1008	12/11/2015	
RE LONEWSOM	12/11/2015		
ECN 8000010578-O			SCALE 1:5
			DOCUMENT NO. VV-65B-R2-L

DENSITY	g/mm ³		
MASS	grams		
VOLUME	mm ³		
SURFACE AREA	mm ²		
HEIGHT		SIZE	WORK AREA 23
LENGTH		MODEL	
WIDTH		VERSION	STATUS
		A2	RE

DRAWING		SHEET	
VERSION	STATUS	REVISION	REVISION
00	RE	A	A
		1 OF 1	