

# MC-K10S-6-72



Monopole Co-location T-Frame Kit, 10 in to 30 in OD, 10 ft face, includes pipe

## OBSOLETE

This product was discontinued on: August 18, 2022

### Replaced By:

MC-K10M-6-72

Monopole Co-location T-Frame kit, 12 in to 50 in OD, 10 ft 6 in face, includes pipe

## Product Classification

**Product Type** Monopole T-frame kit

## General Specifications

**Mounting** Monopole, 254–762 mm (10–30 in) OD

**Pipe, quantity** 6

**Sectors, quantity** 3

## Dimensions

**Height** 1,828.8 mm | 72 in

**Face Width** 3.2 m | 10.5 ft

**Width** 3,200.4 mm | 126 in

**Length** 914.4 mm | 36 in

**Pipe Length** 1,828.8 mm | 72 in

**Mounting Diameter, maximum** 762 mm | 30 in

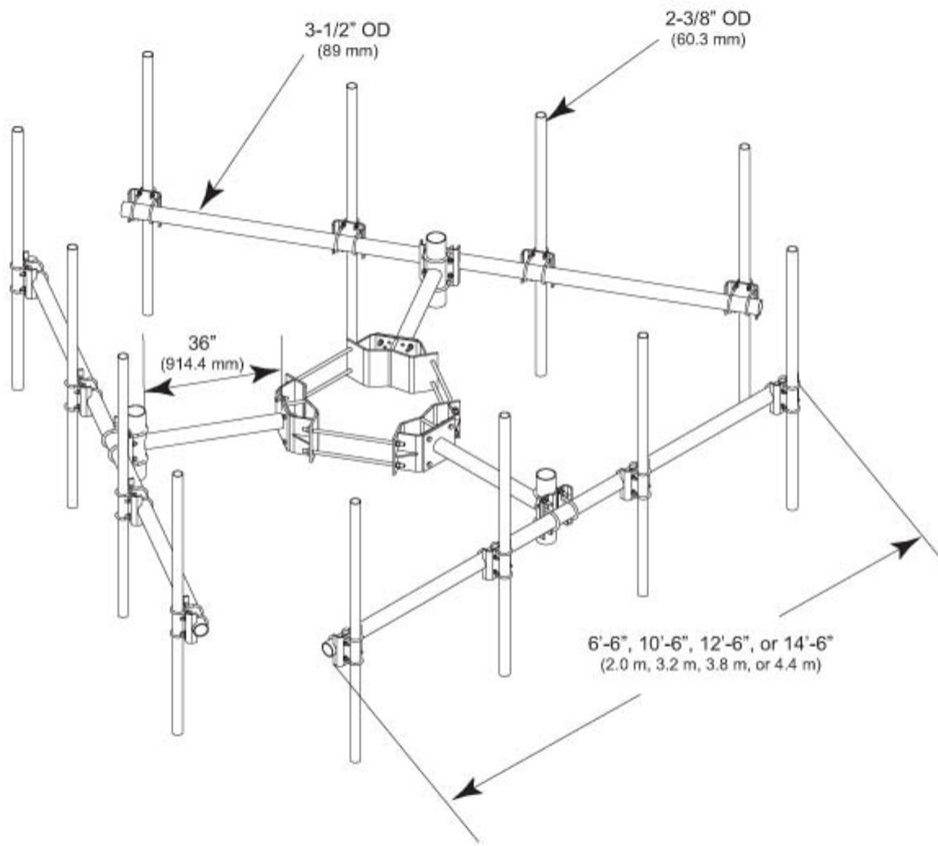
**Mounting Diameter, minimum** 254 mm | 10 in

**Pipe Outer Diameter** 60.96 mm | 2.4 in

**Stand-off Distance** 914.4 mm | 36 in

# MC-K10S-6-72

## Outline Drawing



## Material Specifications

**Material Type** Hot dip galvanized steel

## Mechanical Specifications

**Wind Rating** 120 mph (BWS) at 150 ft AGL | 140 mph (3-second gust) at 150 ft AGL using Exposure D per FBC

**Wind Rating Criteria** Four 72 in x 8 in panel antennas per sector

**Wind Rating Test Method** TIA/EIA-222

## Packaging and Weights

**Included** Cellular pipe frames | Pipe mounts | Ring mount | Stand-off arms

**Packaging quantity** 1

**Weight, net** 412.315 kg | 909 lb

# MC-K10S-6-72

---

## Regulatory Compliance/Certifications

### Agency

ISO 9001:2015

### Classification

Designed, manufactured and/or distributed under this quality management system

## Included Products

- |           |   |  |
|-----------|---|--|
| MC-K10S-B | - | Monopole Co-location T-Frame Kit, 10 in to 30 in OD, 10 ft face, pipe ordered separately |
| MT-219-H  | - | Pipe Mount Kit - 2-3/8" TO 3-1/2" PIPE - pipe not included                               |
| MT-651    | - | Plain End Pipe, 2-3/8 in OD x 72 in .120" A500C 46Ksi                                    |

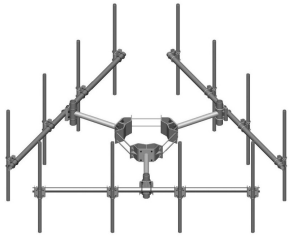
## \* Footnotes

### Wind Rating

BWS—Base Wind Speed; FBC—Florida Building Code

# MC-K10S-B

---



Monopole Co-location T-Frame Kit, 10 in to 30 in OD, 10 ft face, pipe ordered separately

## Product Classification

**Product Type** Monopole T-frame kit

## General Specifications

**Mounting** Monopole, 254–762 mm (10–30 in) OD

**Pipe, quantity** 0

**Sectors, quantity** 3

## Dimensions

**Height** 254 mm | 10 in

**Face Width** 3.2 m | 10.5 ft

**Width** 3,200.4 mm | 126 in

**Length** 914.4 mm | 36 in

**Mounting Diameter, maximum** 762 mm | 30 in

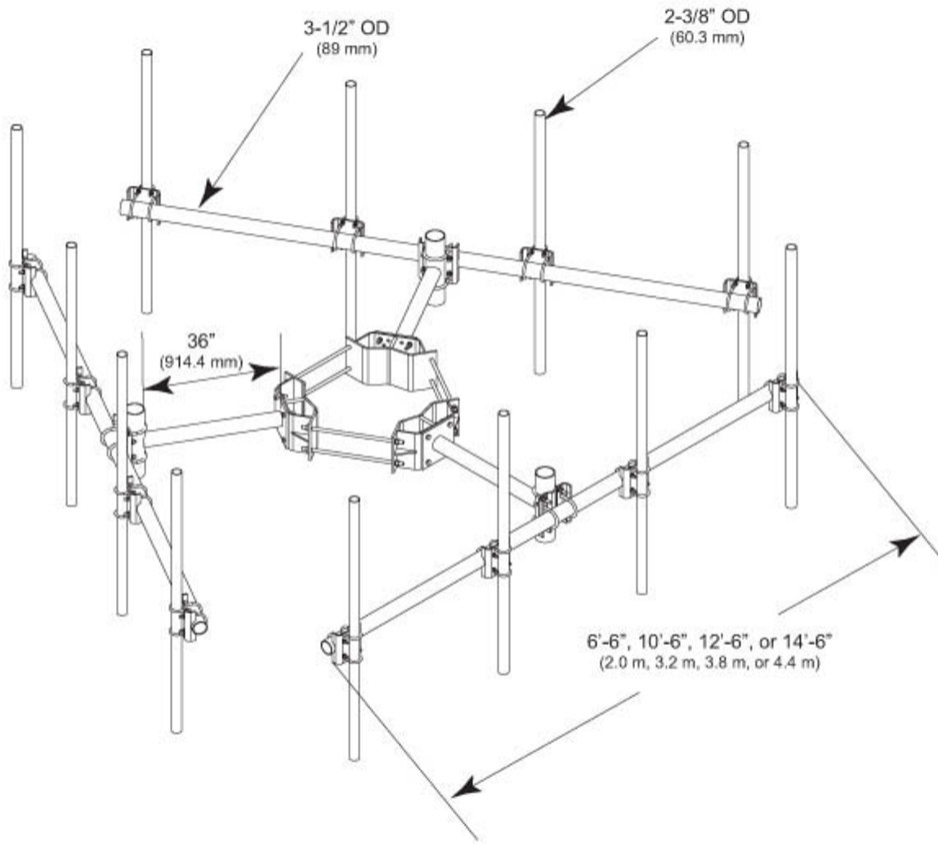
**Mounting Diameter, minimum** 254 mm | 10 in

**Pipe Outer Diameter** 60.96 mm | 2.4 in

**Stand-off Distance** 914.4 mm | 36 in

# MC-K10S-B

## Outline Drawing



## Material Specifications

**Material Type** Hot dip galvanized steel

## Mechanical Specifications

**Wind Rating** 120 mph (BWS) at 150 ft AGL | 140 mph (3-second gust) at 150 ft AGL using Exposure D per FBC

**Wind Rating Criteria** Four 72 in x 8 in panel antennas per sector

**Wind Rating Test Method** TIA/EIA-222

## Packaging and Weights

**Included** Cellular pipe frames | Ring mount | Stand-off arms

**Packaging quantity** 1

**Weight, net** 323.003 kg | 712.1 lb

# MC-K10S-B

---

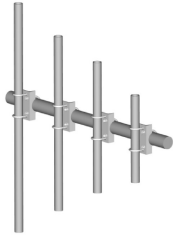
## Regulatory Compliance/Certifications

<b>Agency</b>	<b>Classification</b>
ISO 9001:2015	Designed, manufactured and/or distributed under this quality management system

### \* Footnotes

<b>Wind Rating</b>	BWS—Base Wind Speed; FBC—Florida Building Code
--------------------	--

# MT-219-H



Pipe Mount Kit - 2-3/8" TO 3-1/2" PIPE - pipe not included

## Product Classification

**Product Type** Pipe mount kit

## General Specifications

**Mounting** Pipe, 60.3 mm (2-3/8 in ) OD | Pipe, 88.9 mm (3-1/2 in) OD

## Dimensions

**Height** 254 mm | 10 in

**Width** 127 mm | 5 in

**Length** 127 mm | 5 in

**Mounting Diameter, maximum** 88.9 mm | 3.5 in

**Mounting Diameter, minimum** 60.325 mm | 2.375 in

## Material Specifications

**Material Type** Hot dip galvanized steel

## Packaging and Weights

**Included** Crossover bracket | U-bolts

**Packaging quantity** 1

**Weight, net** 4.9 kg | 10.803 lb

## Regulatory Compliance/Certifications

Agency	Classification
CHINA-ROHS	Below maximum concentration value
ISO 9001:2015	Designed, manufactured and/or distributed under this quality management system
REACH-SVHC	Compliant as per SVHC revision on <a href="http://www.andrew.com/ProductCompliance">www.andrew.com/ProductCompliance</a>
ROHS	Compliant
UK-ROHS	Compliant





# MT-651

---



Plain End Pipe, 2-3/8 in OD x 72 in .120" A500C 46Ksi

## Product Classification

**Product Type** Plain end pipe

## General Specifications

**Pipe, quantity** 1

## Dimensions

**Height** 60.96 mm | 2.4 in  
**Width** 60.96 mm | 2.4 in  
**Length** 1,828.8 mm | 72 in  
**Pipe Length** 1,828.8 mm | 72 in  
**Pipe Outer Diameter** 60.96 mm | 2.4 in  
**Material Thickness** 3.048 mm | 0.12 in

## Material Specifications

**Material Type** A500 | Hot dip galvanized steel  
**Material Grade** C  
**Material Strength** 46 KSI

## Packaging and Weights

**Included** Pipe  
**Packaging quantity** 1  
**Weight, net** 8 kg | 17.637 lb

## Regulatory Compliance/Certifications

Agency	Classification
CHINA-ROHS	Above maximum concentration value
ISO 9001:2015	Designed, manufactured and/or distributed under this quality management system

# MT-651

---

ROHS Compliant/Exempted

UK-ROHS Compliant/Exempted

