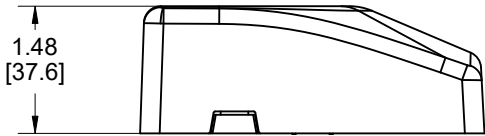
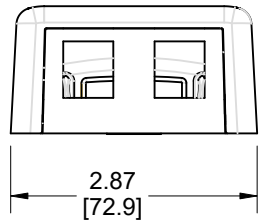
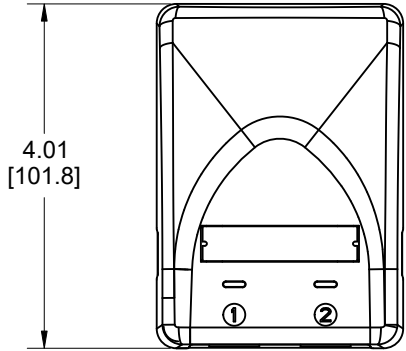


MATERIAL ID	DESCRIPTION
760253650	SMB-2P-KJ-448



NOTES:

- SEE COMMSCOPE CATALOG FOR PART NUMBER SUFFIXES TO INDICATE COLOR/PKG.
- SEE COMMSCOPE CATALOG FOR COMPLETE LIST OF PARTS RELATED TO THE USE OF THIS PRODUCT.
- DIMENSIONS IN PARENTHESES ARE IN METRIC[MM].
- PART INCLUDES:
 - (1) 2 PORT BASE FOR SMB, LALMOND
 - (1) 2 PORT COVER FOR SMB, LALMOND
 - (3) TAPE
 - (2) SCREW #6 X 1.00" LG
 - (1) SCREW 6-32 X .50" LG

SMB-2P-KJ-448	
COMMSCOPE, INC OF NORTH CAROLINA	
DRAWN BY JW	DWG NO 760253650

REV	DATE	ECR	DESCRIPTION	APPROVED BY
1	10/10/22		INITIAL ISSUE	AW