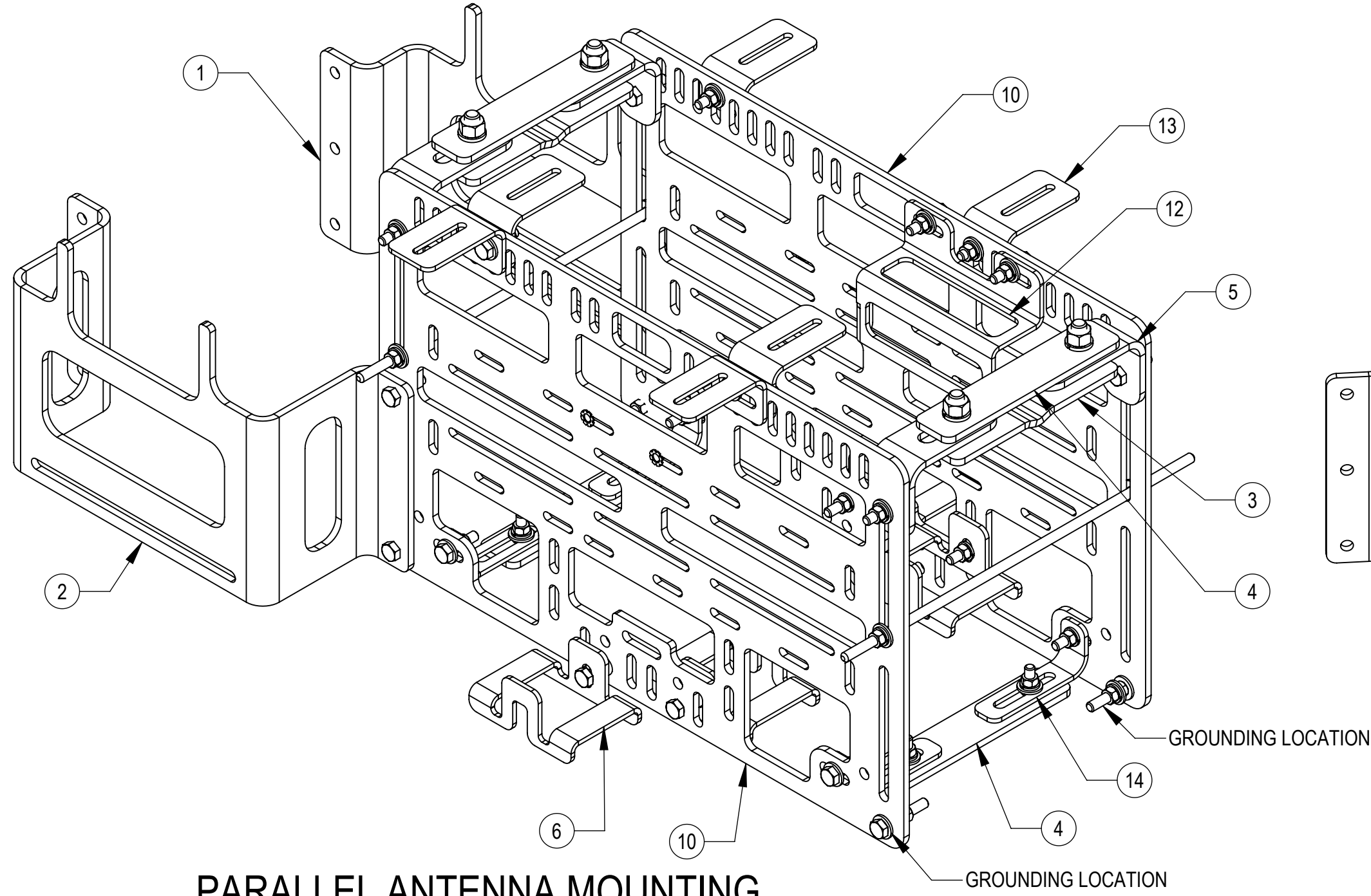


NOTES:

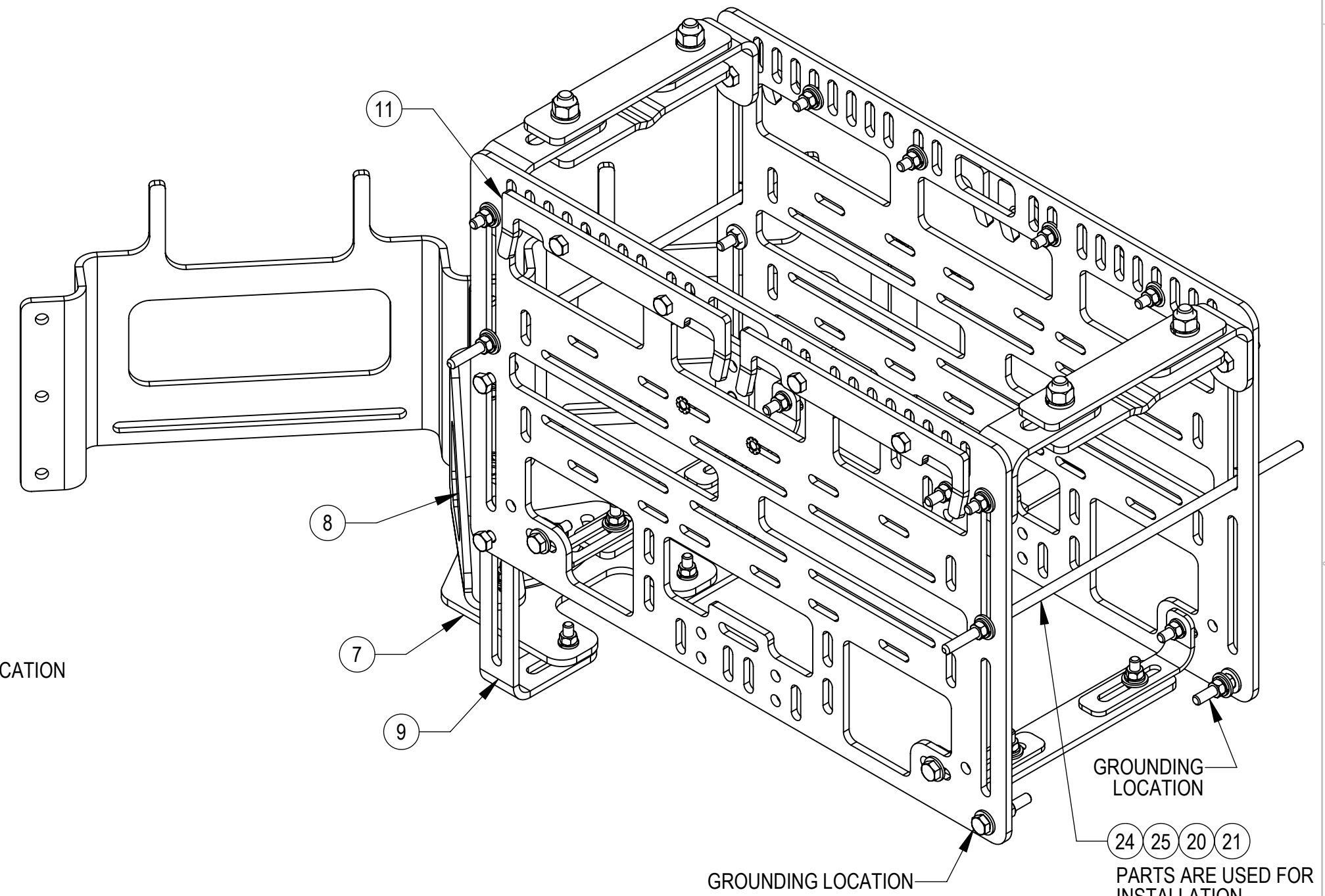
- 1.0 GENERAL
 - 1.1 ALL METRIC DIMENSIONS ARE IN BRACKETS
 - 1.2 FOR PATENT INFO :<https://www.cs-pat.com>
- 2.0 DESIGN NOTES
- 3.0 MANUFACTURING/SPECIAL REQUIREMENTS
 - 3.1 TORQUE 1/4" HARDWARE 7 FT-LBS
 - TORQUE 3/8" HARDWARE 25 FT-LBS
 - 3.2 FINISH: POWDER COAT SURFACE PER COMMSCOPE'S PRODUCT COLOR/FINISH SPECIFICATION MTM1004 PER SUFFIX -XX.
- 4.0 TEST
- 5.0 PACKAGING
 - 5.1 PACKAGE SHALL MEET COMMSCOPE REQUIREMENTS DOCUMENT IS-PL-3005
 - 5.2 PRINTED DOCUMENT TO BE PLACED IN A BAG AND THEN PLACED INSIDE SHIPPING BOX.
 - 5.3 EXTRA HARDWARE MAY BE SUPPLIED, BAGGED AND SHIPPED.

REVISIONS				
REV.	ECN	DESCRIPTION	BY	DATE
A	8000041286	INITIAL RELEASE	RJC	10/01/20
B	8000043553	ADDED STAR WASHERS FOR GND & UPDATED PACKAGING NOTE	RJC	11/16/20
C	8000044717	ADDED INSTRUCTION DWG "SCSTSU-ASM-INSTR" TO SAP BOM	RJC	1/19/2021
D	13565PC	Update the MTC4091-0043-BR and MTC4091-0025-BR components to the latest version	PX1012	8/20/2021



PARALLEL ANTENNA MOUNTING

ITEM	PART NO.	DESCRIPTION	QTY.	NOTE NO.
1	MTC4091-0018-XX	BRACKET, SHORT PARALLEL ANTENNA	2	
2	MTC4091-0019-XX	BRACKET, TALL PARALLEL ANTENNA	1	
3	MTC4091-0022-XX	CLAMP, STRAND MOUNT CABLE	2	
4	MTC4091-0023-XX	PLATE, EXTENSION	4	
5	MTC4091-0024-XX	BRACKET, STRAND MOUNTING	4	
6	MTC4091-0025-XX	BRACKET, LOWER MOUNTING	4	
7	MTC4091-0032-XX	PLATE, ROTATION ANTENNA	1	
8	MTC4091-0033-XX	BRACKET, ROTATING ANTENNA MOUNTING	1	
9	MTC4091-0034-XX	BRACKET, ROTATING ANTENNA ANGLE	2	
10	MTC4091-0041-XX	PLATE, RADIO MOUNTING	2	
11	MTC4091-0042-XX	CLAMP, RADIO MOUNTING	4	
12	MTC4091-0043-XX	BRACKET, POD-8 TOP MOUNTING	1	
13	MTC4091-0044-XX	BRACKET, UPPER RADIO MOUNTING	6	
14	MTC4091-0047-XX	BRACKET, STRAND BOTTOM SUPPORT	4	
15	MTC4091-1001	SPACER, .250 UNTHREADED X .50 LG	3	
16	SB-0314FT	3/8" X 1-1/2" SS BOLT, FULL THREAD	4	
17	SWL-03	3/8" SS LOCK WASHER	4	
18	SN-03	3/8" SS HEX NUT	4	
19	SB-0210	1/4" X 1" SS BOLT	31	
20	SWL-02	1/4" SS LOCK WASHER	40	
21	SN-02	1/4" SS HEX NUT	42	
22	9963-120	SCR,HEX CAP,1/4-20,1.5,SST,PASS	5	
23	100912-4	WSHR,LCK,EX TOOTH,M6,SST,PASS	6	
24	MTC9350.03	1/4" X 12" SS THREADED ROD	2	
25	SWF-02	FLAT WASHER, 1/4" SS	56	



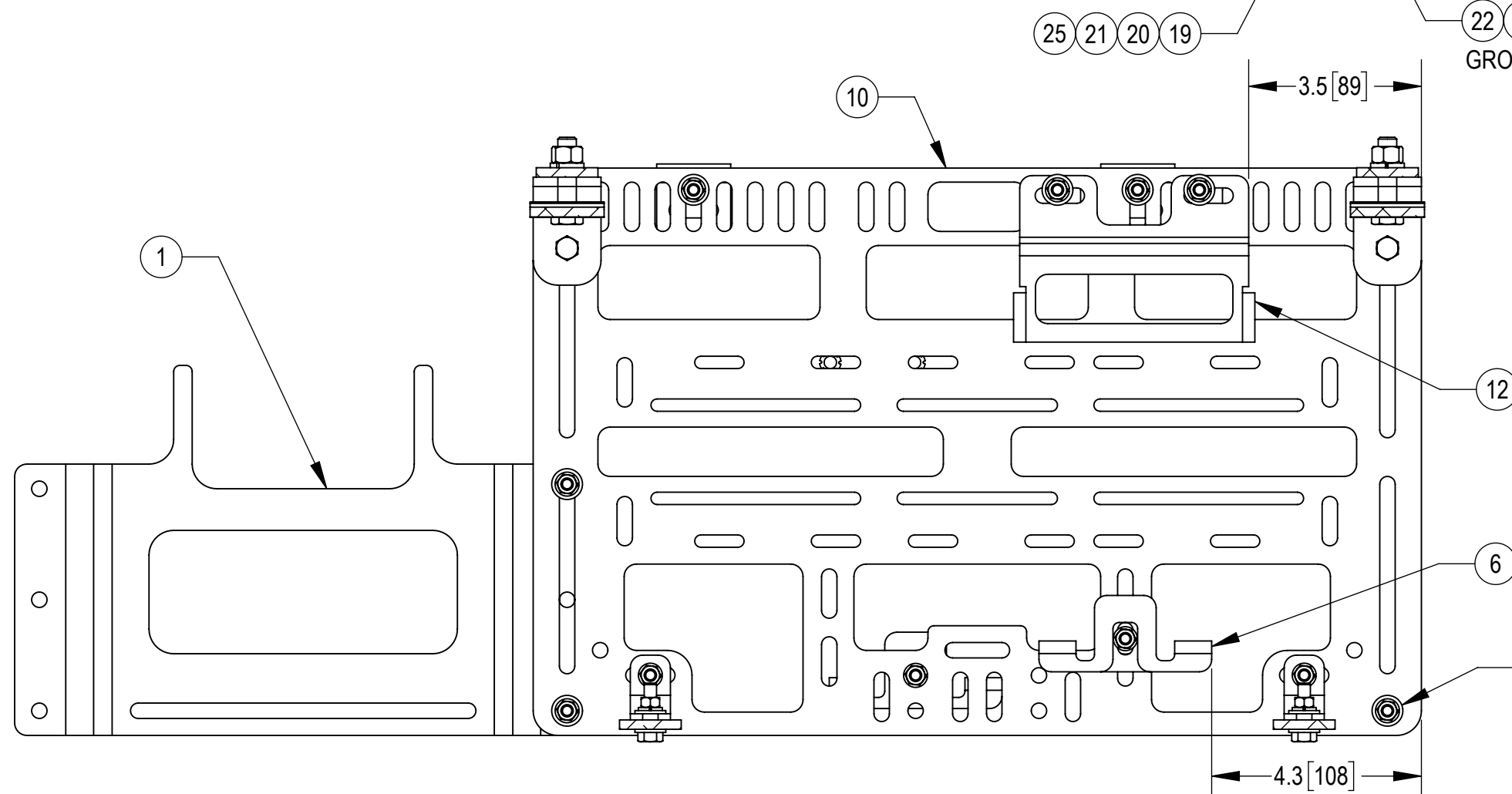
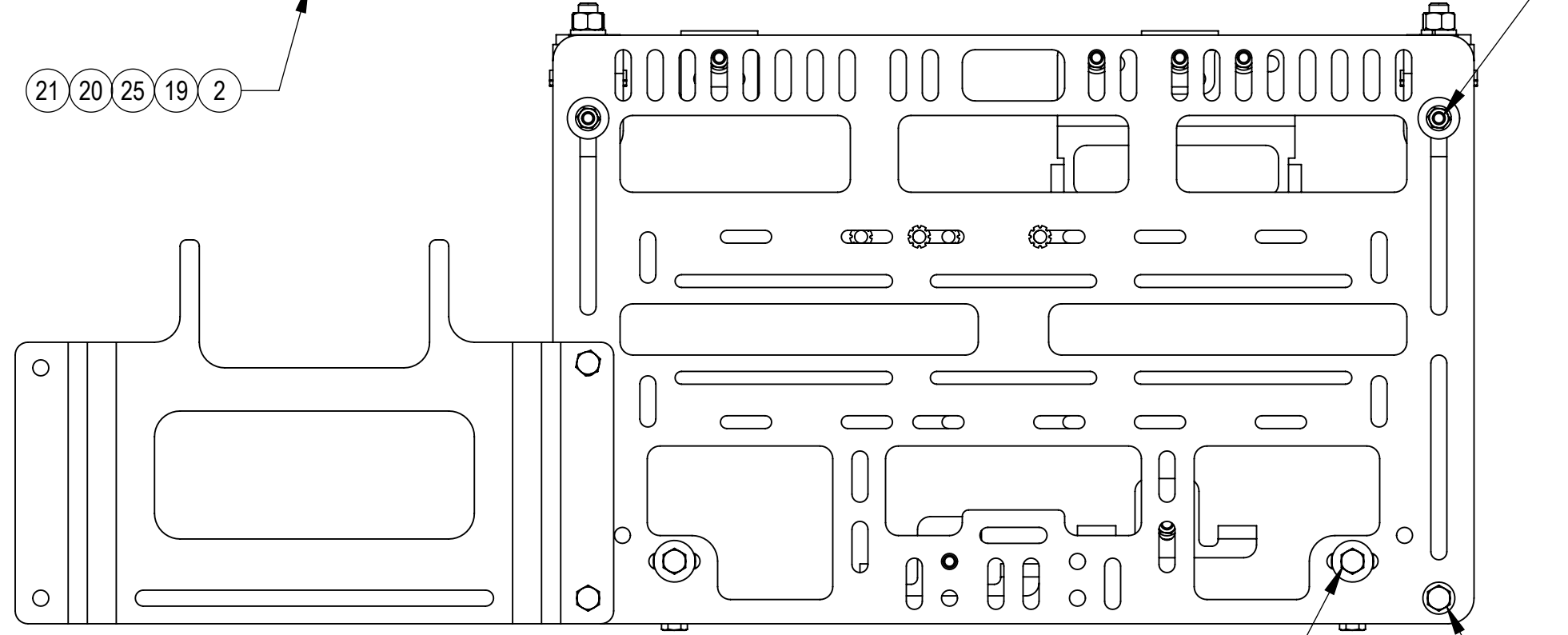
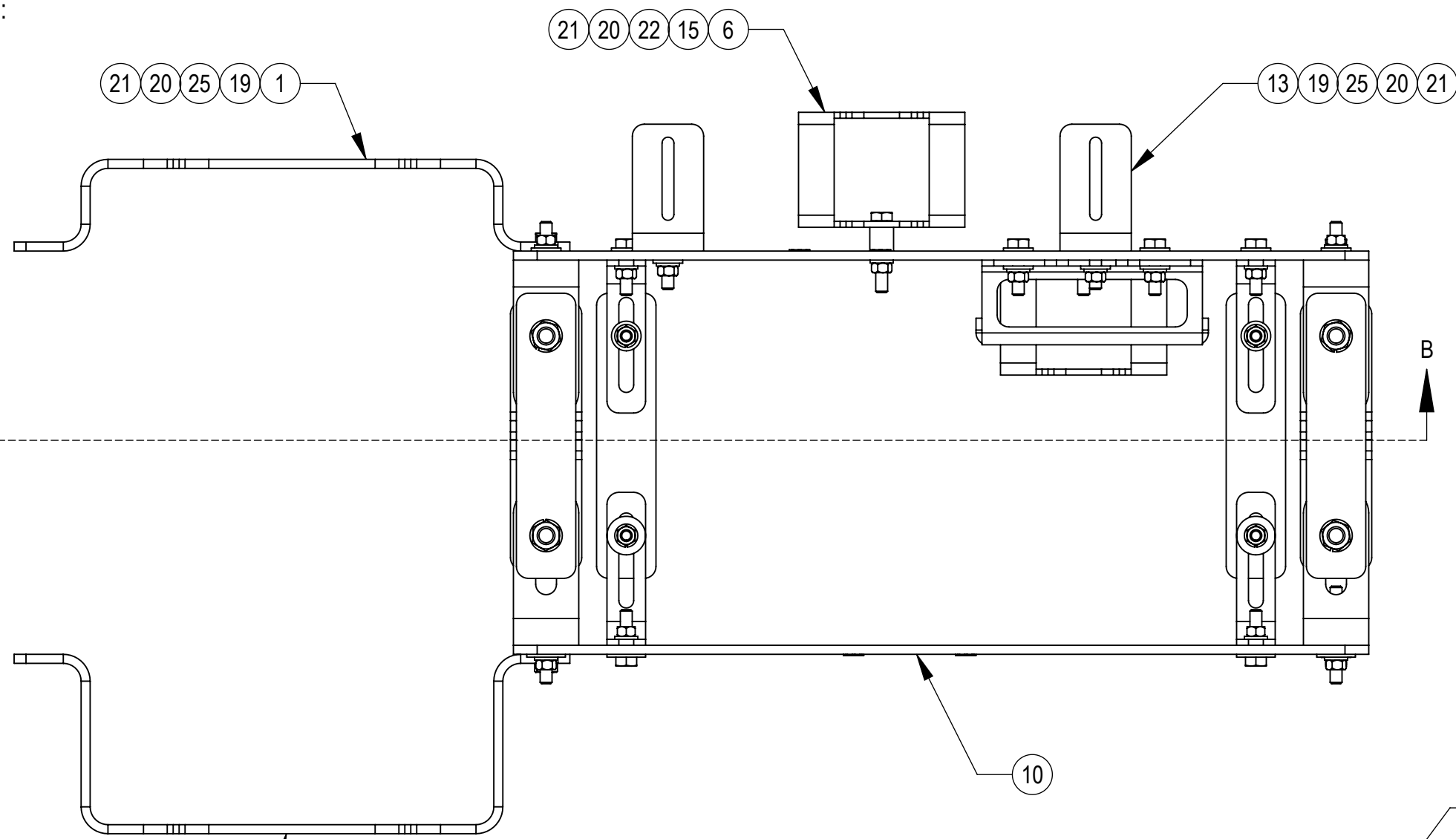
DIRECTIONAL ANTENNAT MOUNTING

24 25 20 21
PARTS ARE USED FOR INSTALLATION PURPOSES AND SHOULD BE REMOVED AFTER INSTALATION

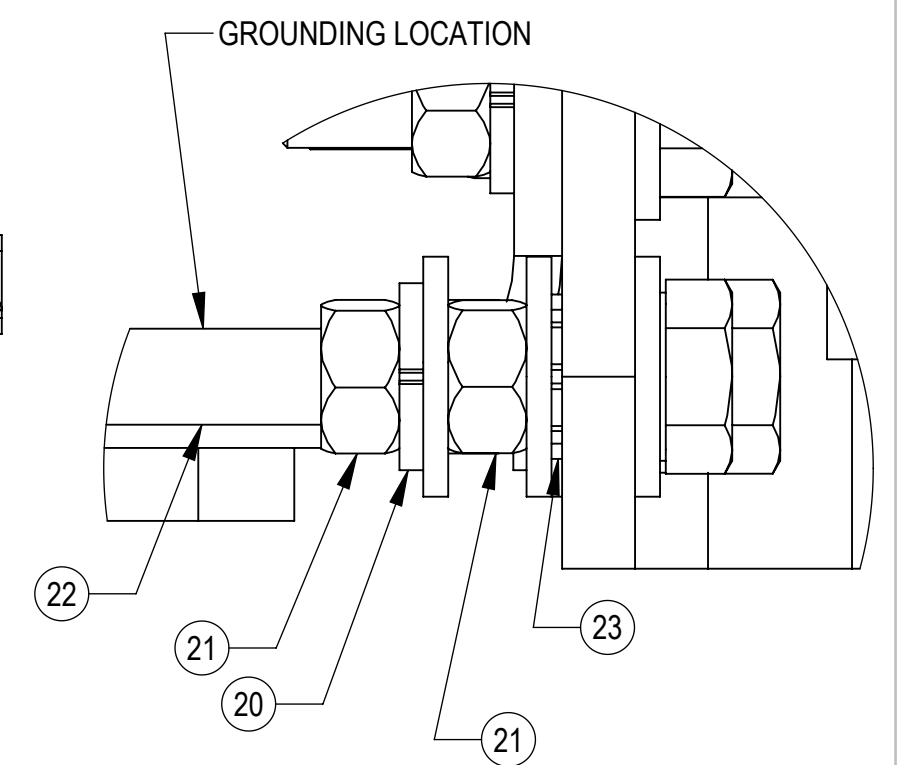
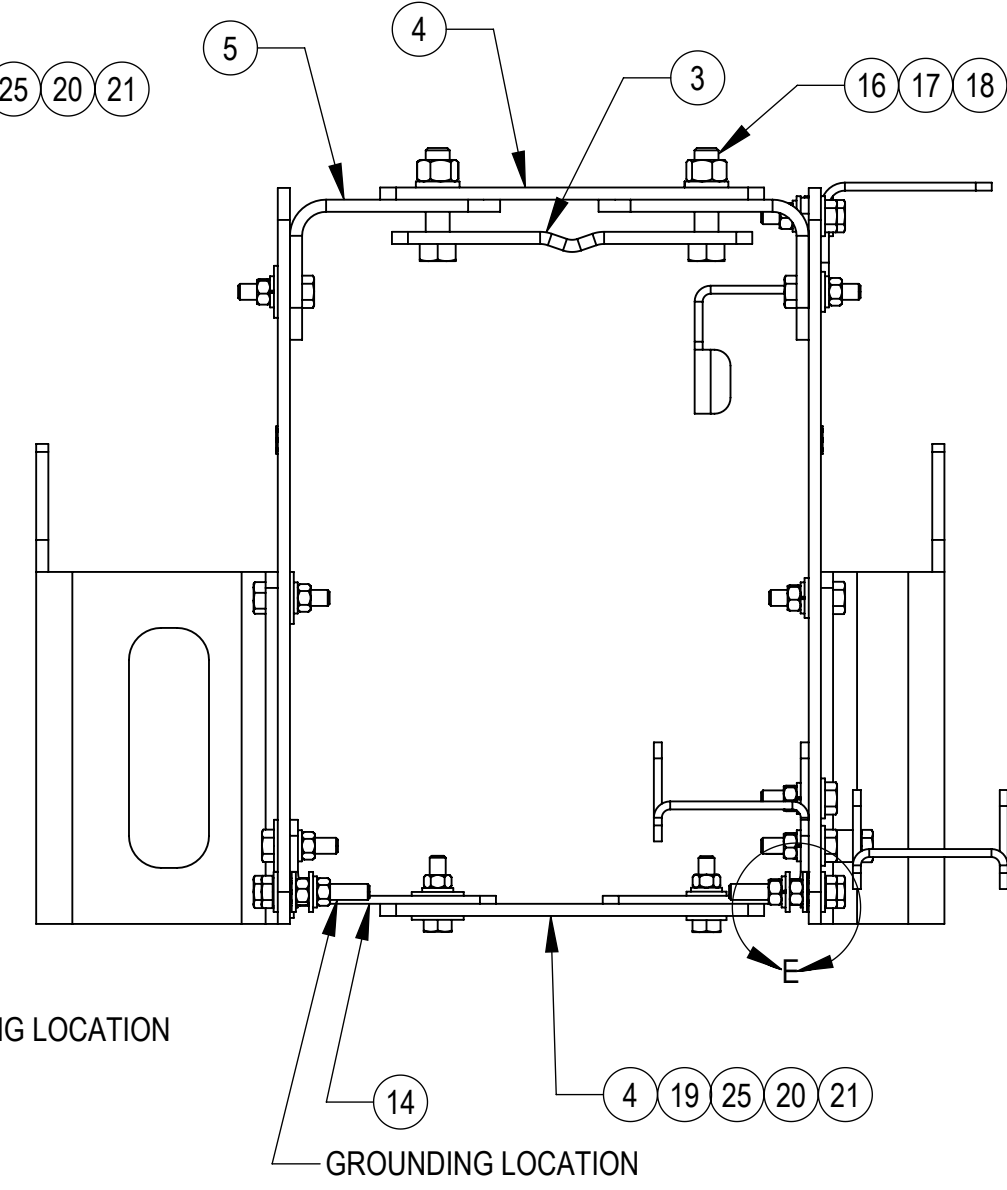
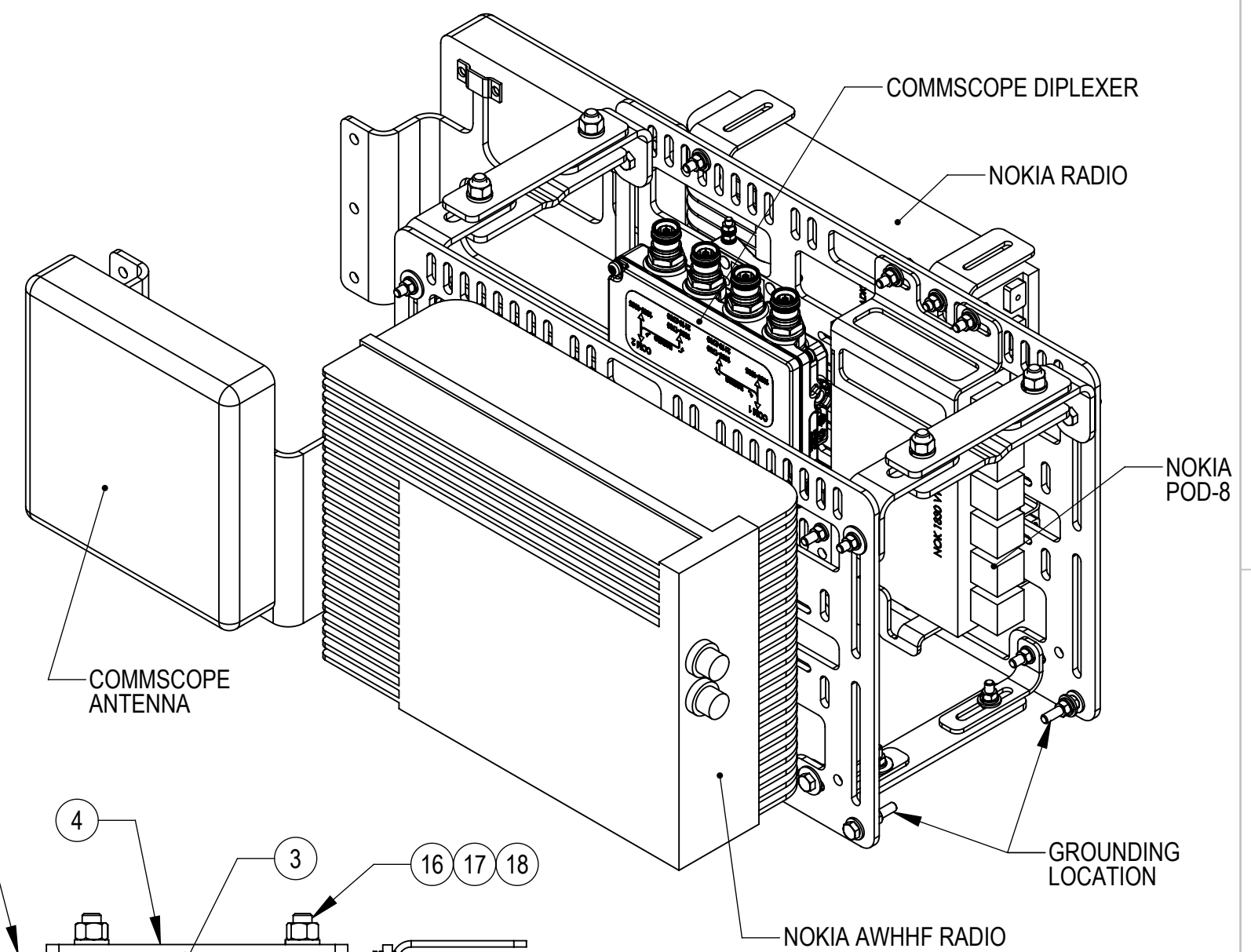
COMMSCOPE, INC. OF NORTH CAROLINA

TOLERANCES		SAP MATERIAL MASTER	
0 PLACE X ± .25	2 PLACE .XX ± 0.06	SCSTSU-301-S	
1 PLACE .X ± 0.12	ANGLES ± 2°	MATERIAL ALUMINUM PLATE	
FINISH SEE NOTES		TITLE SMALL CELL STRAND MT; 5G SGL SCTR 18" LG	
UNLESS OTHERWISE SPECIFIED DIMENSIONS ARE IN INCHES INTERPRET PER ANSI Y 14.5M-1994		NAME	DATE
DENSITY		CE RJC	06/09/20
MASS 16.23 lbs/in³		RW PX1012	01/07/2022
VOLUME 152.37 lbs		AD BCROSS	01/07/2022
SURFACE AREA 2107.69 in²		RE BCROSS	01/07/2022
HEIGHT		ECN 13565PC	SCALE 1:3
LENGTH		SIZE WORK AREA INSL	DOCUMENT NO. SCSTSU-301-S
WIDTH		VERSION STATUS REVISION	VERSION STATUS REVISION
C		02 RE C	08 RE D
		MODEL DRAWING	SHEET
		02 RE C 08 RE D	1 OF 7

NOTES:



SECTION B-B



DETAIL E
SCALE 2 : 1

**CONFIGURATION FOR MOUNTING
NOKIA AWHHF RADIO**

COMMSCOPE, INC. OF NORTH CAROLINA				
TITLE SMALL CELL STRAND MT; 5G SGL SCTR 18" LG				
SIZE C	SCALE 1:3	DOCUMENT NO. SCSTSU-301-S		
DRAWING		SHEET		
VERSION 08	STATUS RE	REVISION D	2 OF 7	

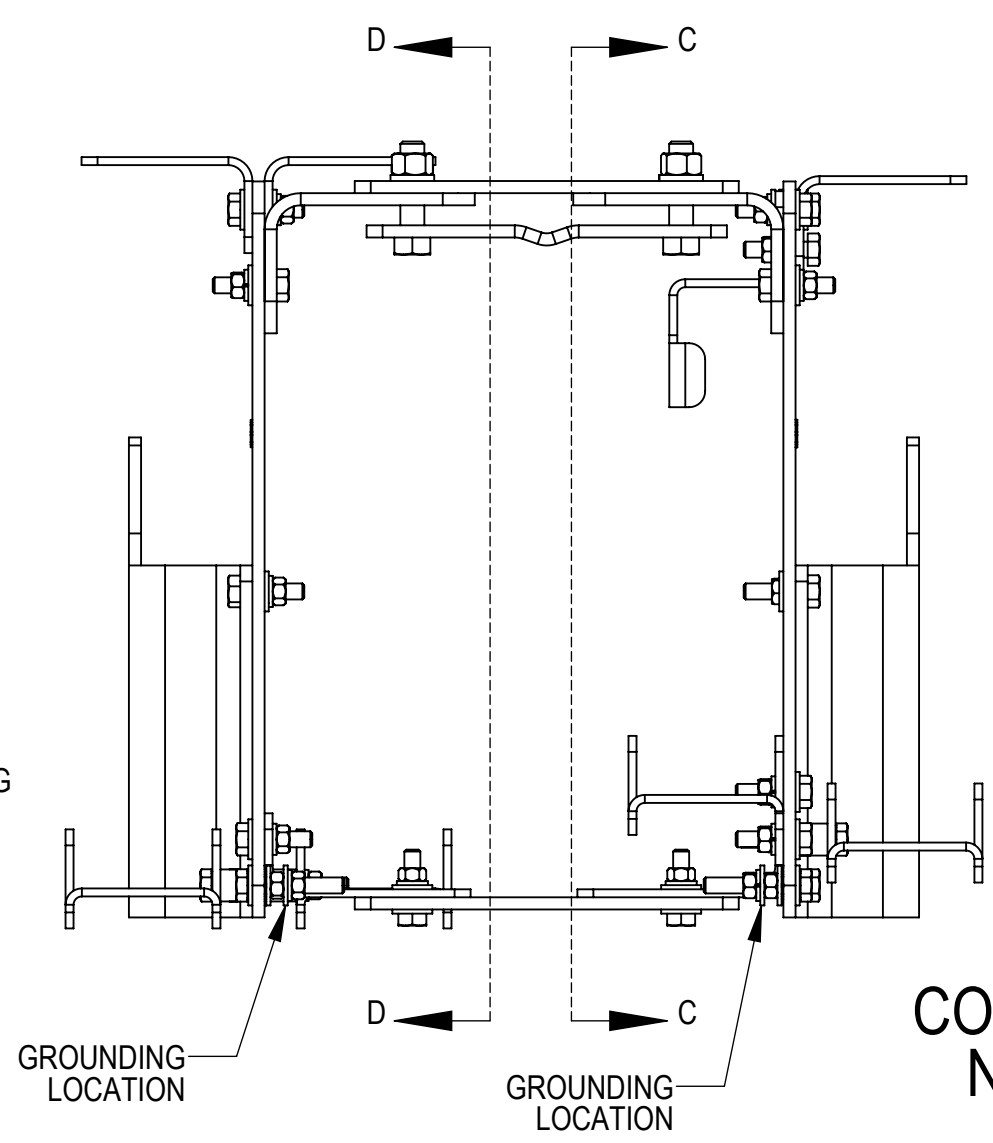
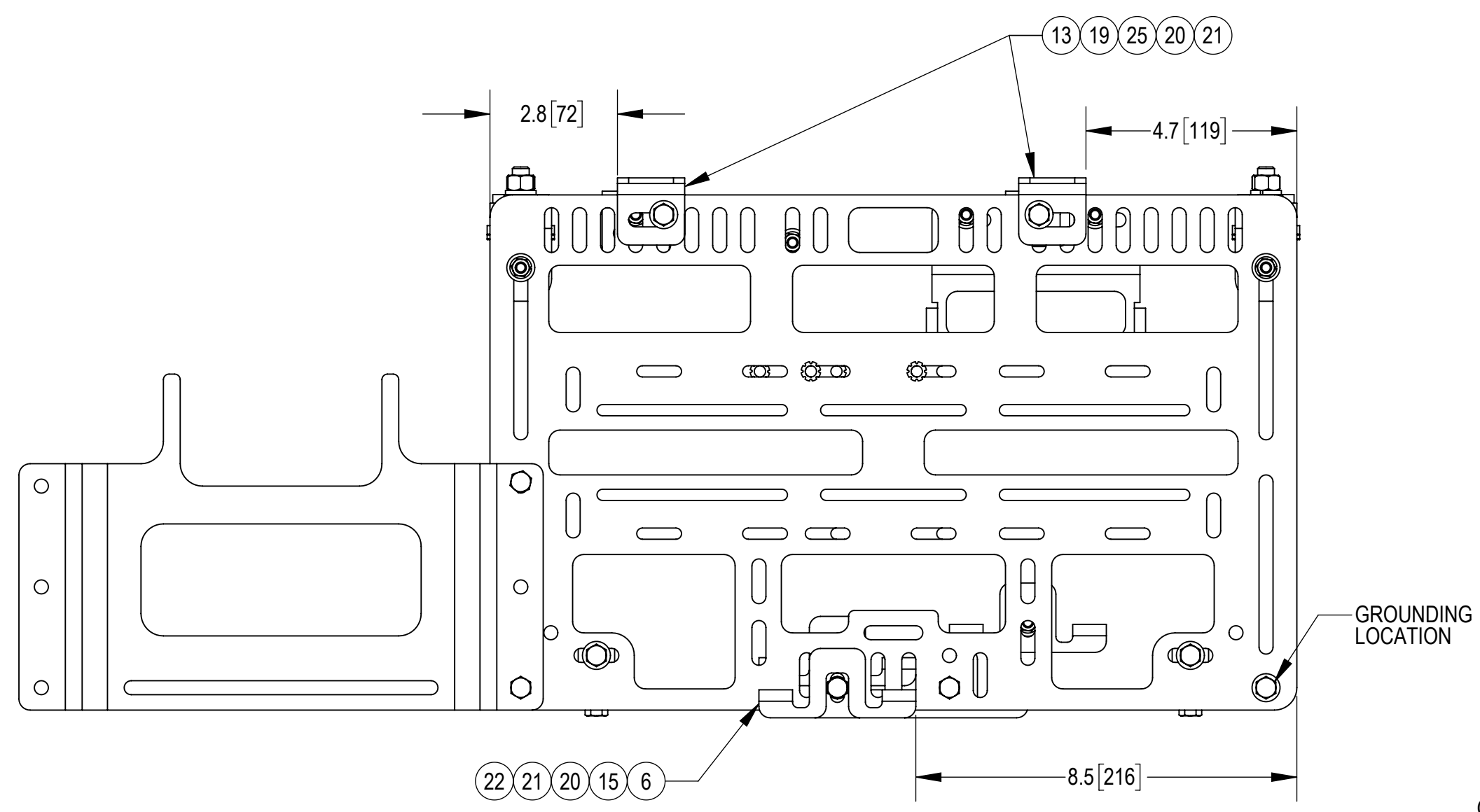
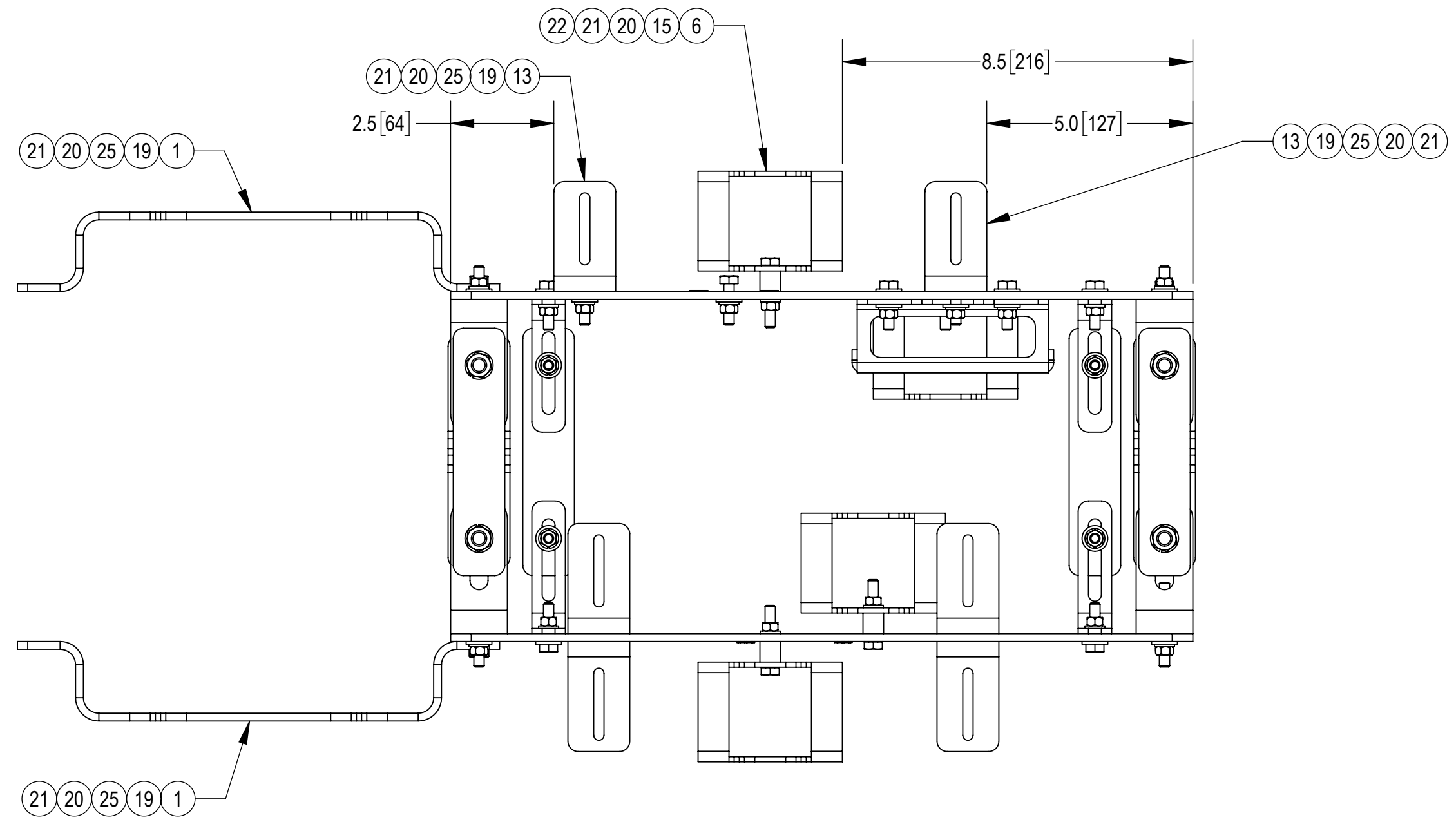
4

3

2

1

NOTES:



CONFIGURATION FOR MOUNTING NOKIA 5W AIRSCALE RADIOS

COMMSCOPE, INC. OF NORTH CAROLINA				
TITLE SMALL CELL STRAND MT; 5G SGL SCTR 18" LG				
SIZE C	SCALE 1:3	DOCUMENT NO. SCSTSU-301-S		
		DRAWING		SHEET
		VERSION	STATUS	REVISION
		08	RE	D
				3 OF 7

© 2020 CommScope, Inc. Confidential

4

3

2

1

D

D

C

C

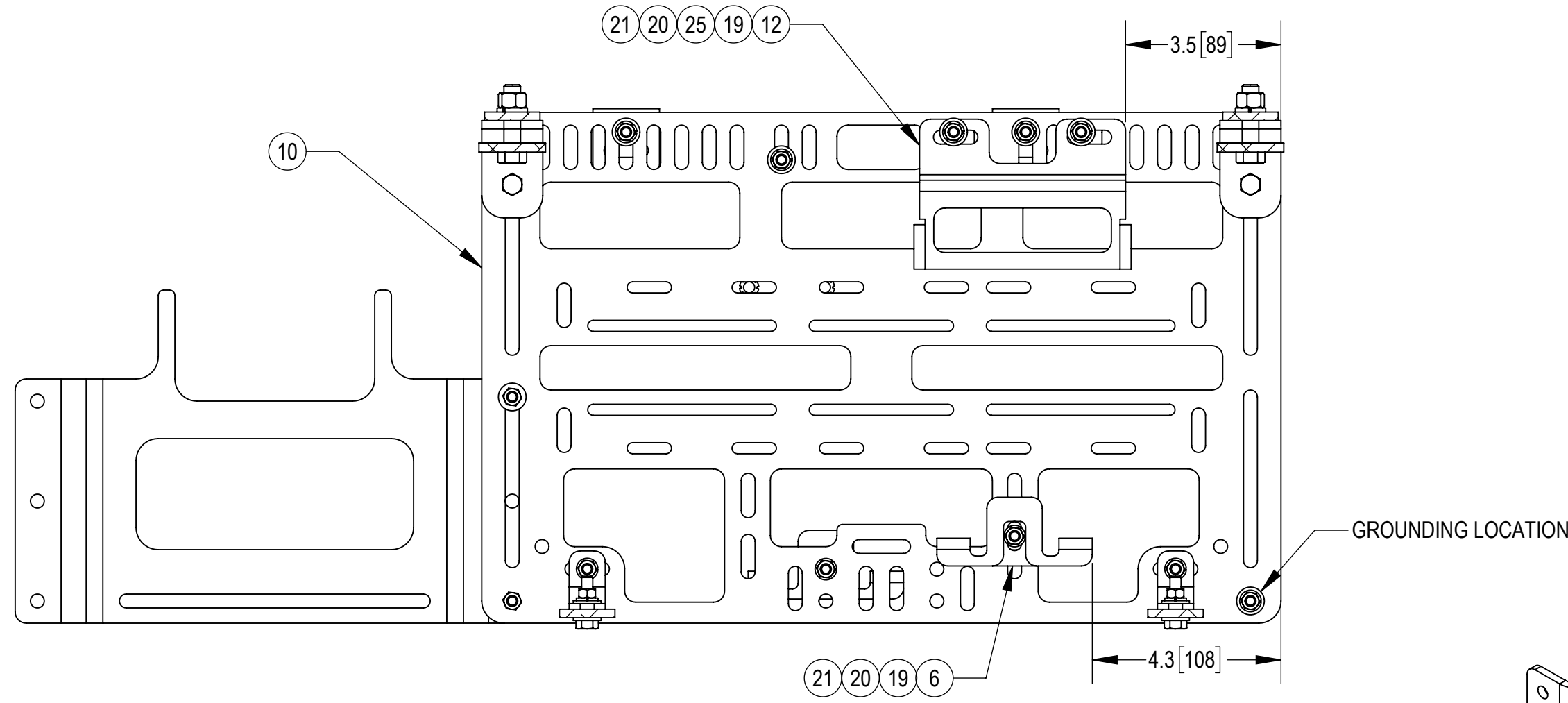
B

B

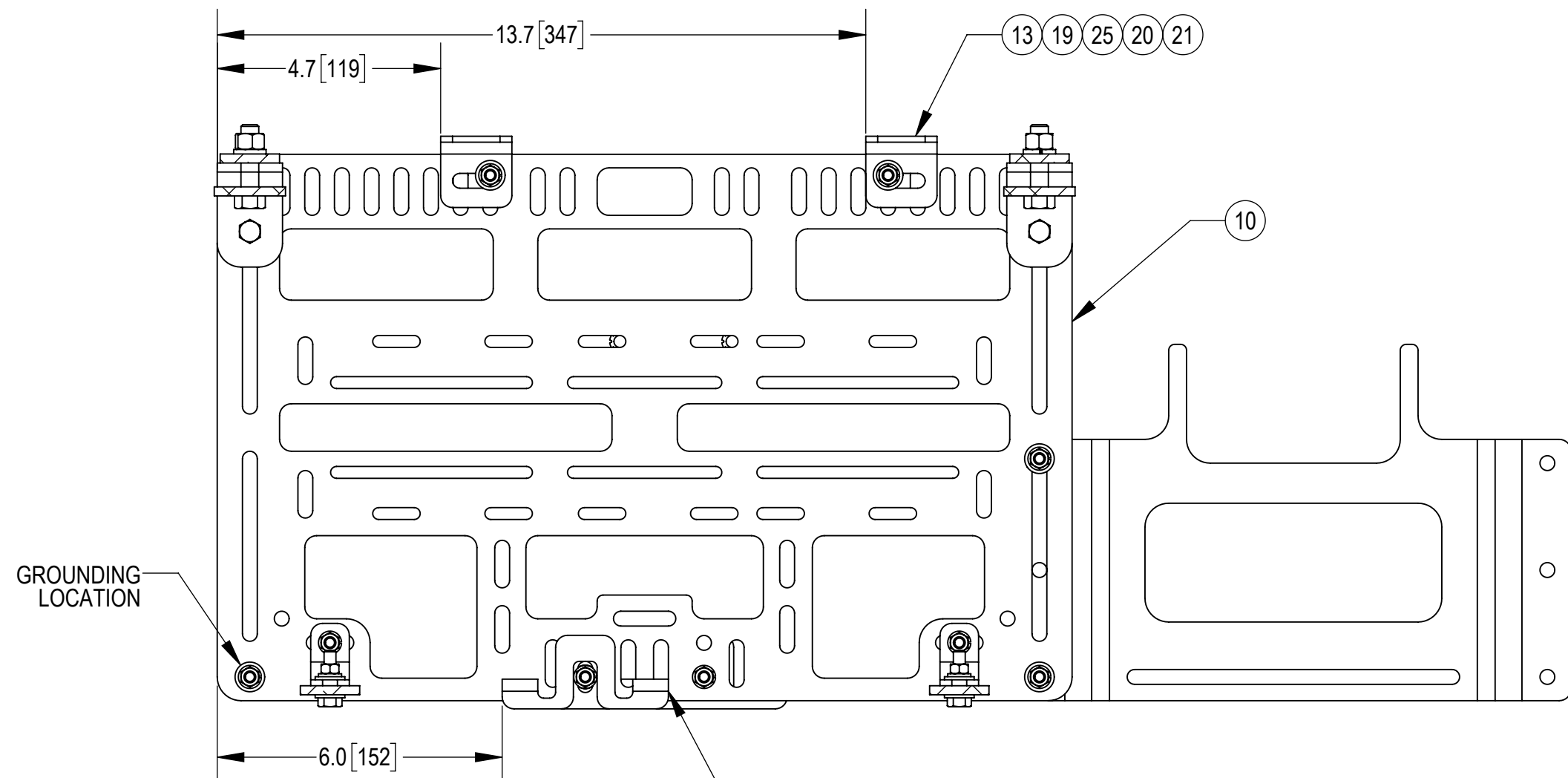
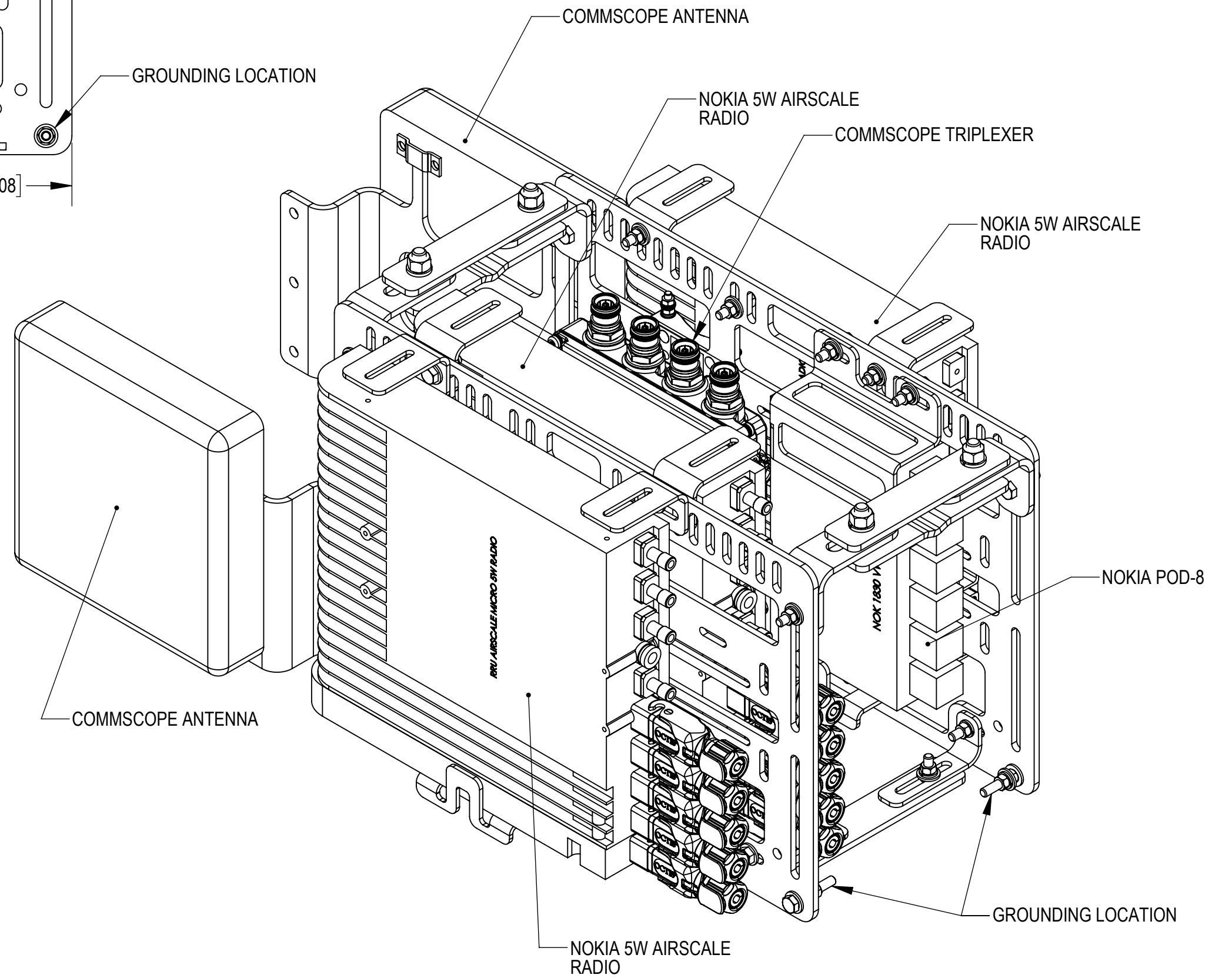
A

A

NOTES:



SECTION C-C

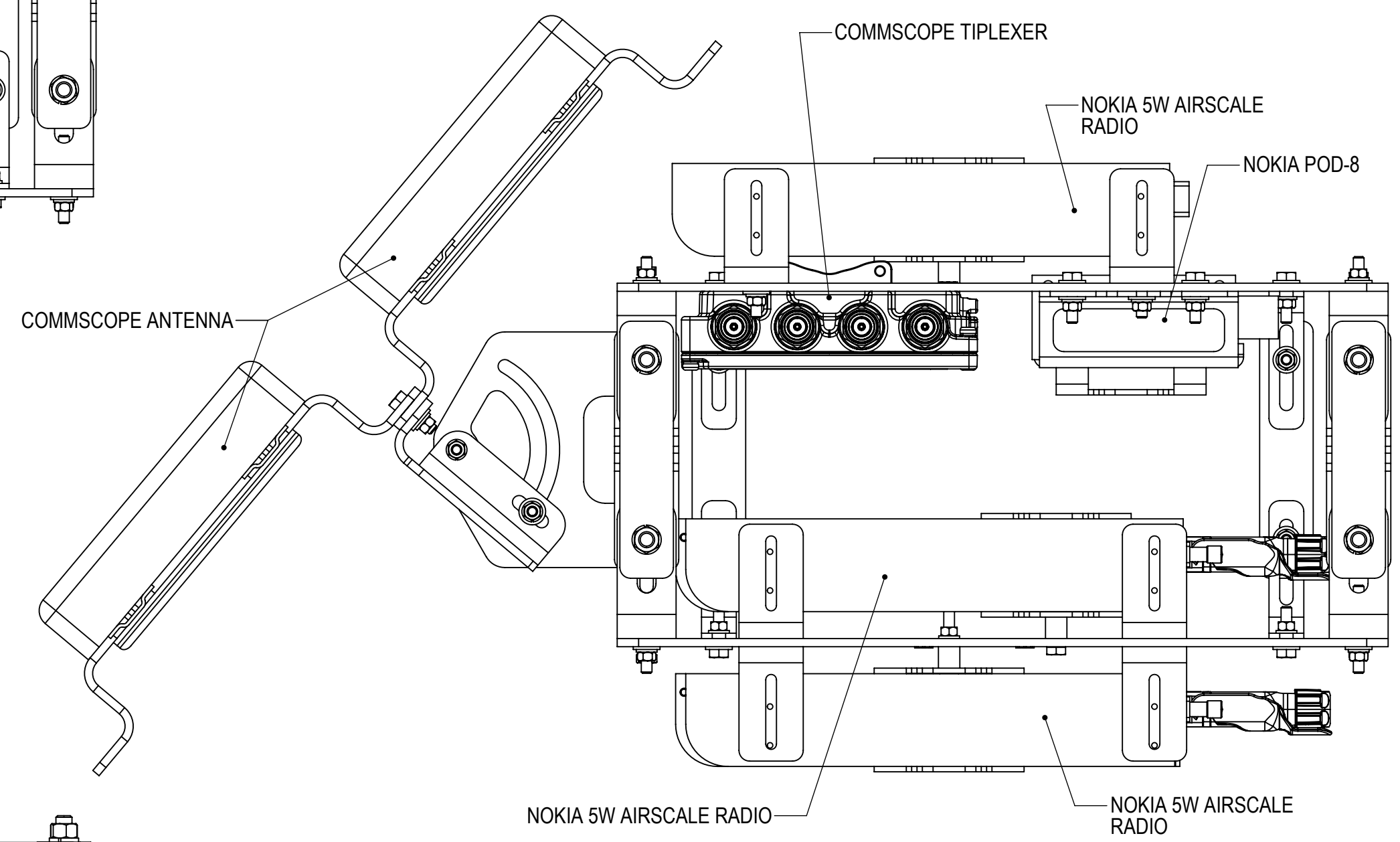
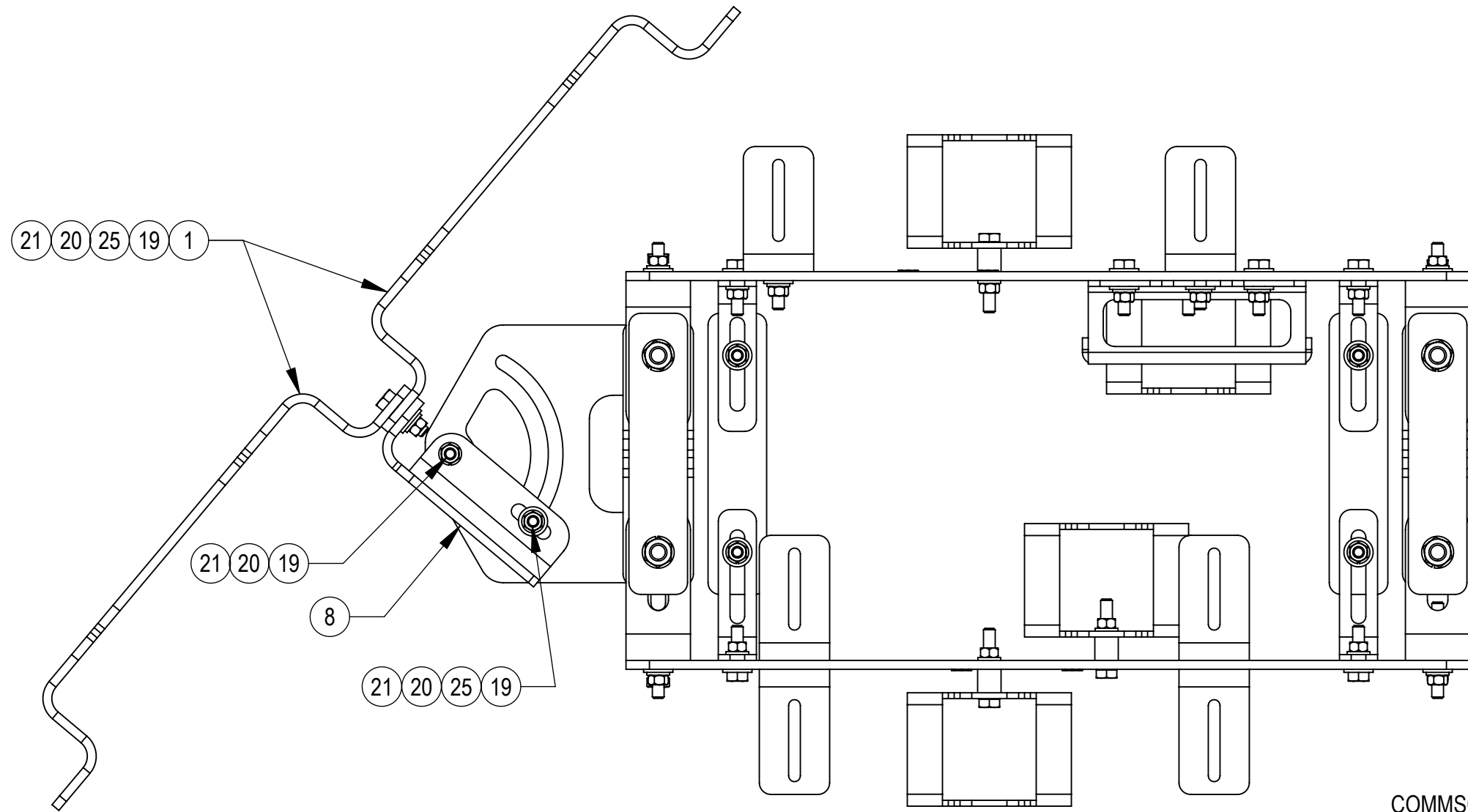


SECTION D-D

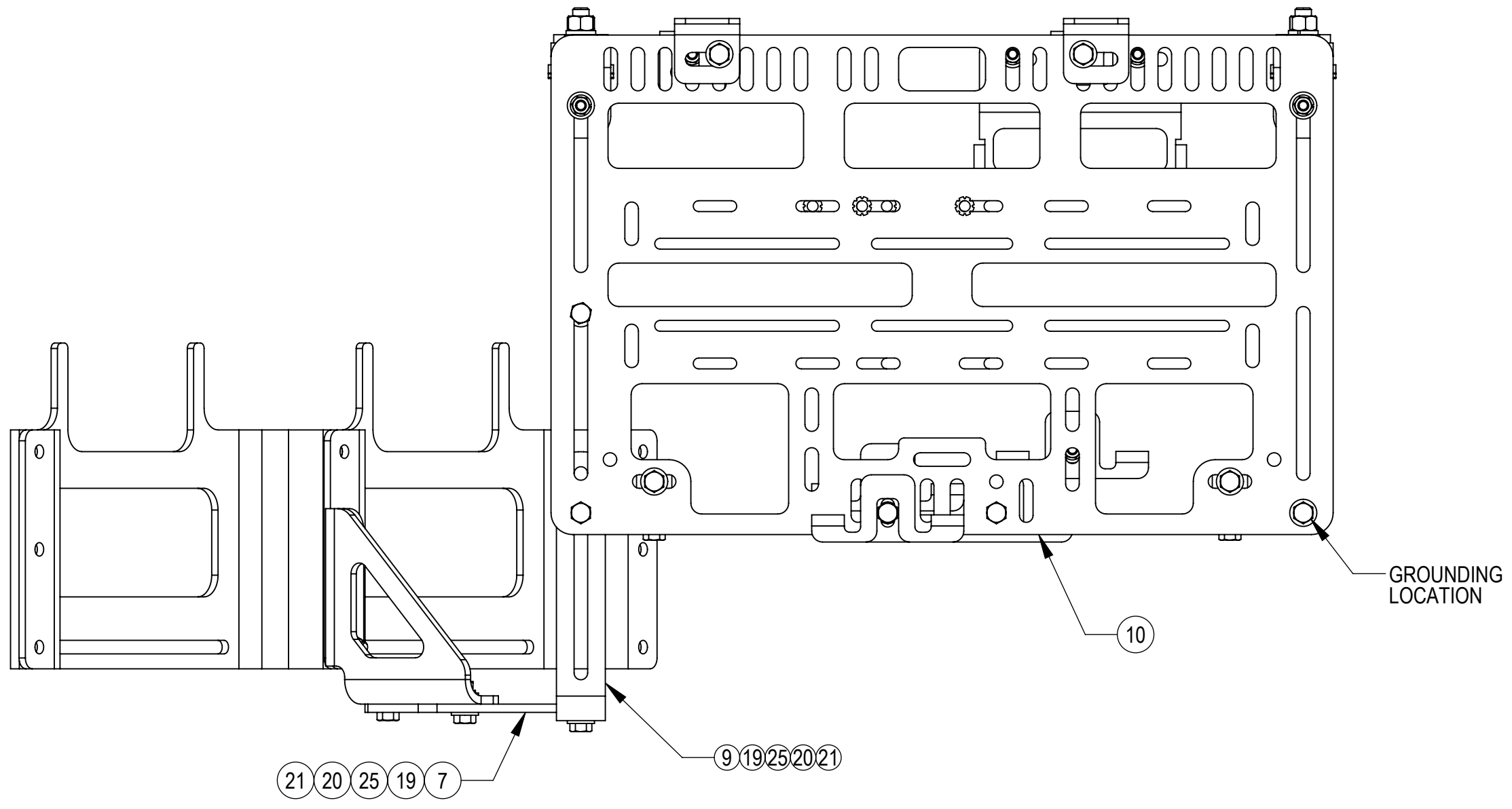
COMMSCOPE, INC. OF NORTH CAROLINA				
TITLE SMALL CELL STRAND MT; 5G SGL SCTR 18" LG				
SIZE C	SCALE 1:3	DOCUMENT NO. SCSTSU-301-S		
		DRAWING		SHEET
		VERSION	STATUS	REVISION
		08	RE	D
				SHEET 4 OF 7

© 2020 CommScope, Inc. Confidential

NOTES:



TOP VIEW



GROUNDING LOCATION

CONFIGURATION FOR MOUNTING NOKIA 5W AIRSCALE RADIO DIRECTIONAL ANTENNA MOUNTING

COMMSCOPE, INC. OF NORTH CAROLINA				
TITLE SMALL CELL STRAND MT; 5G SGL SCTR 18" LG				
SIZE C	SCALE 1:3	DOCUMENT NO. SCSTSU-301-S		
		DRAWING		SHEET
		VERSION	STATUS	REVISION
		08	RE	D
				SHEET 5 OF 7

4

3

2

1

NOTES:

D

D

C

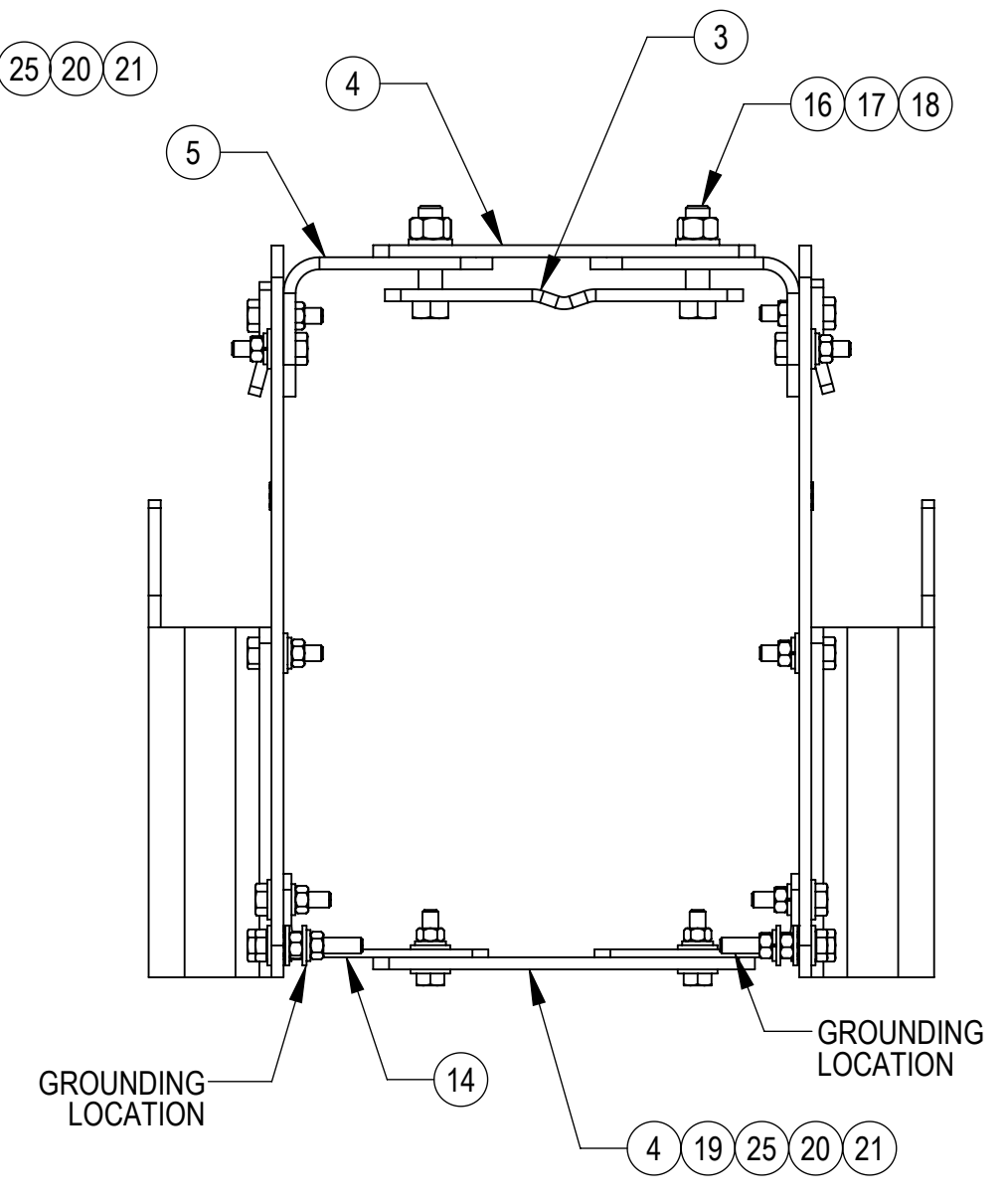
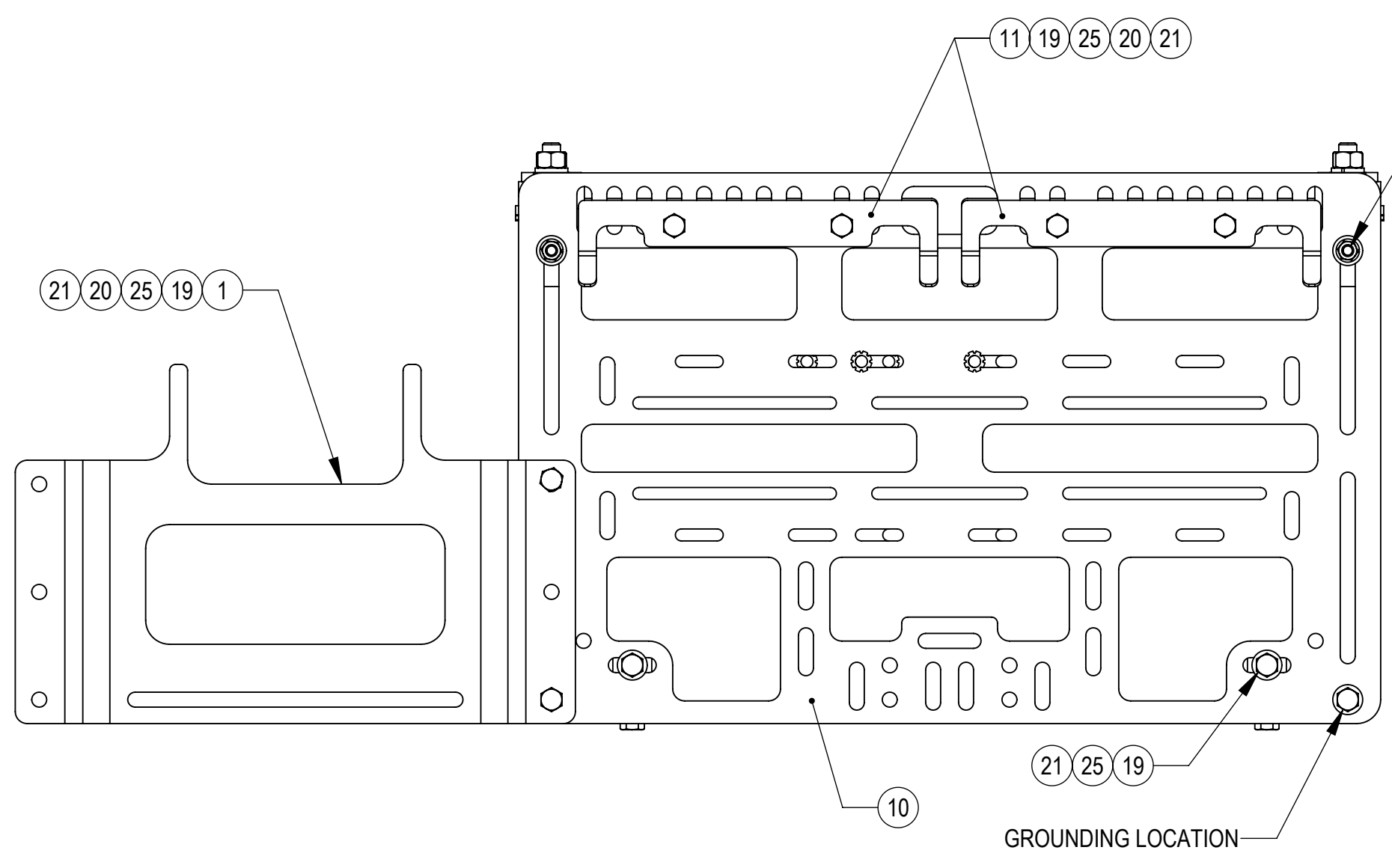
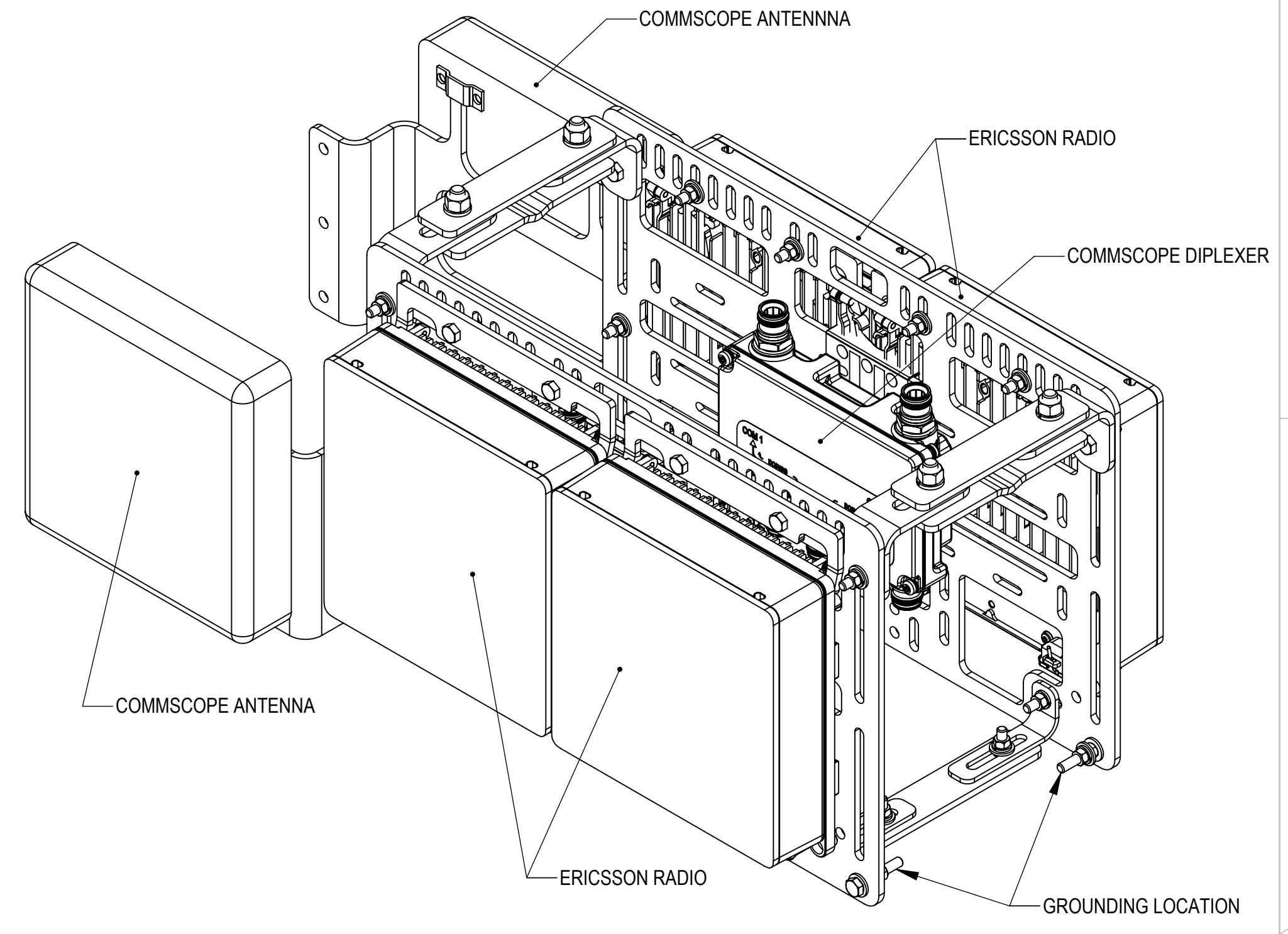
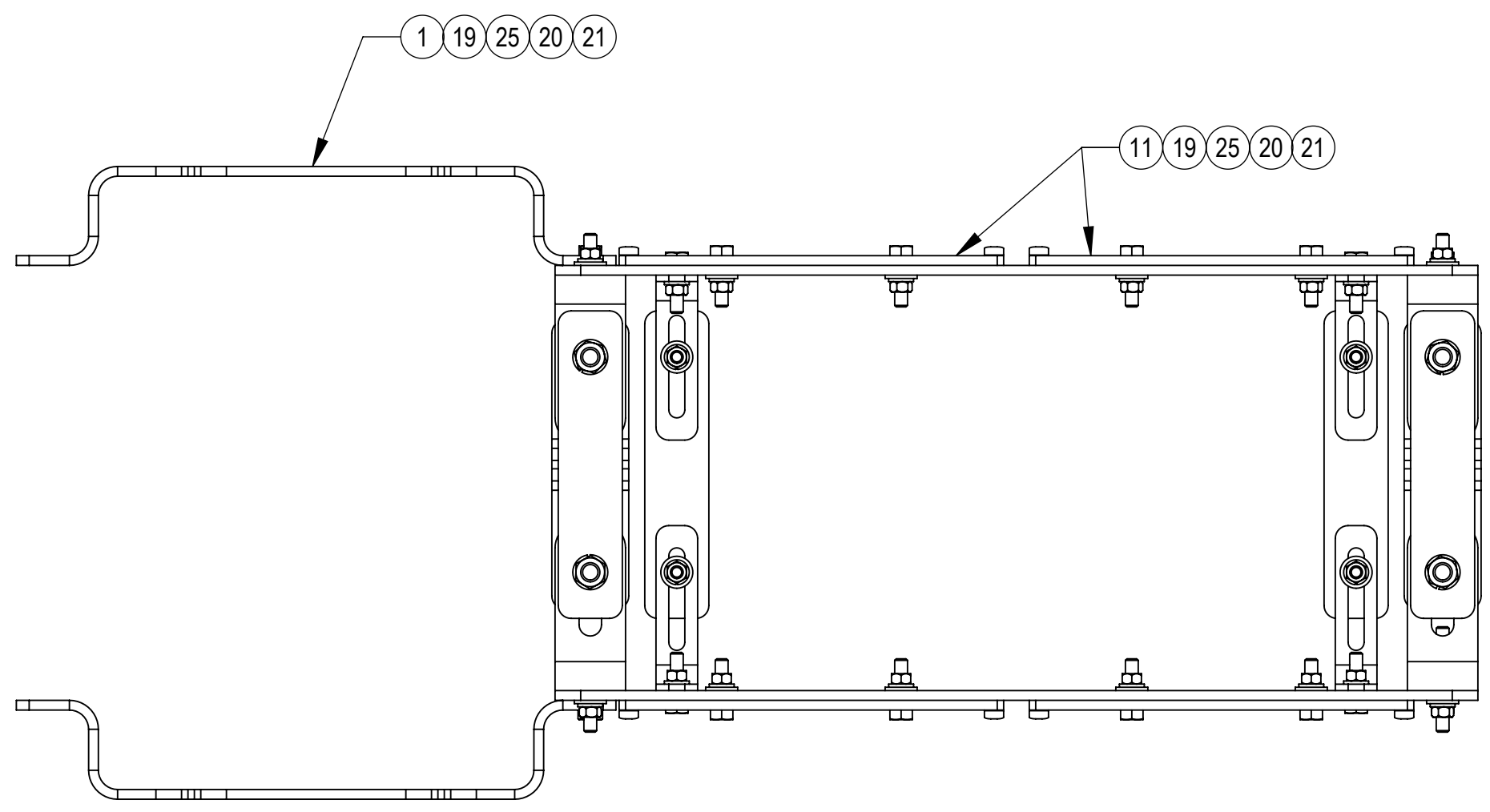
C

B

B

A

A



CONFIGURATION FOR MOUNTING ERICSSON RADIOS

COMMSCOPE, INC. OF NORTH CAROLINA				
TITLE SMALL CELL STRAND MT; 5G SGL SCTR 18" LG				
SIZE C	SCALE 1:3	DOCUMENT NO. SCSTSU-301-S		
		DRAWING		SHEET
		VERSION	STATUS	REVISION
		08	RE	D
				6 OF 7

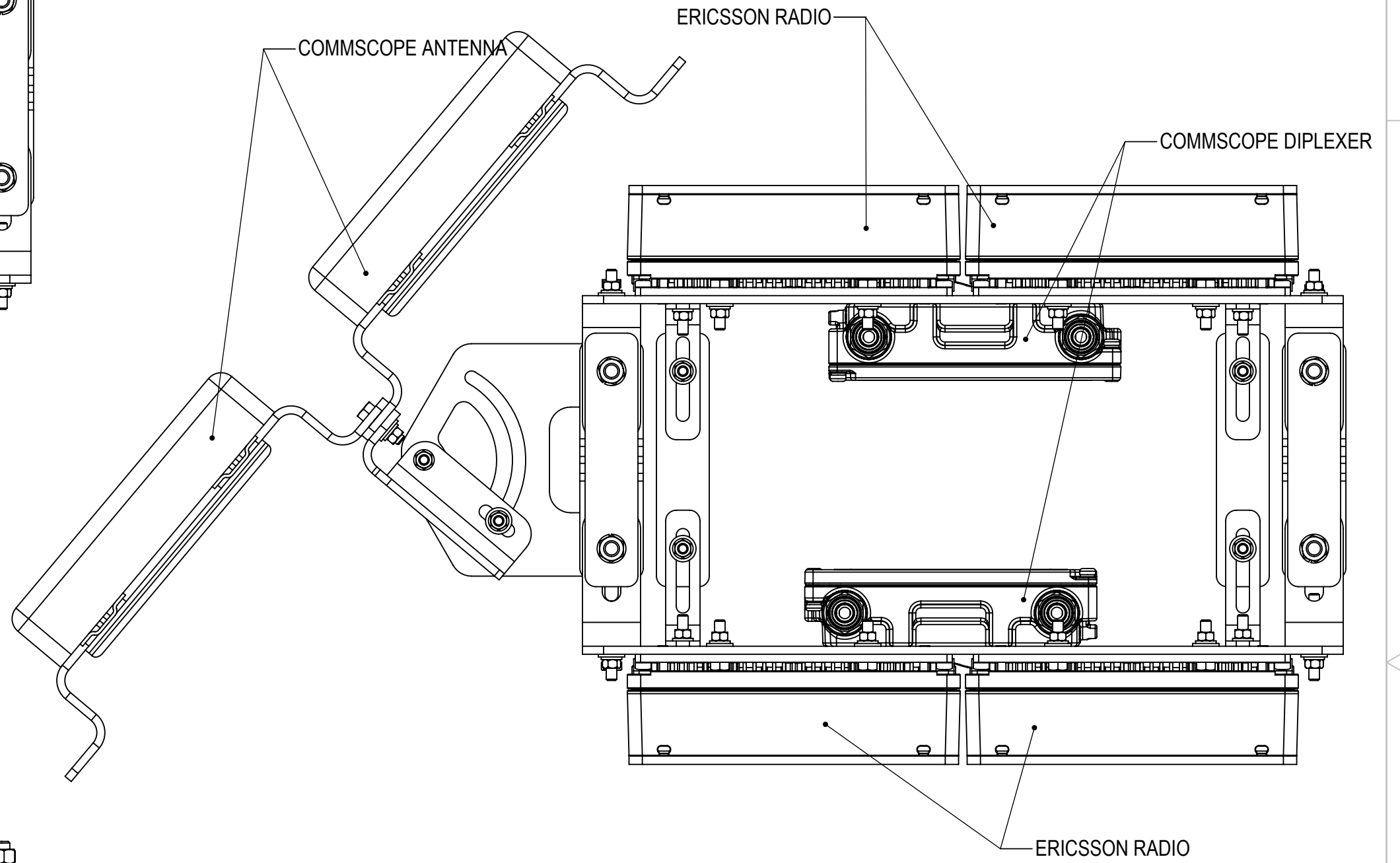
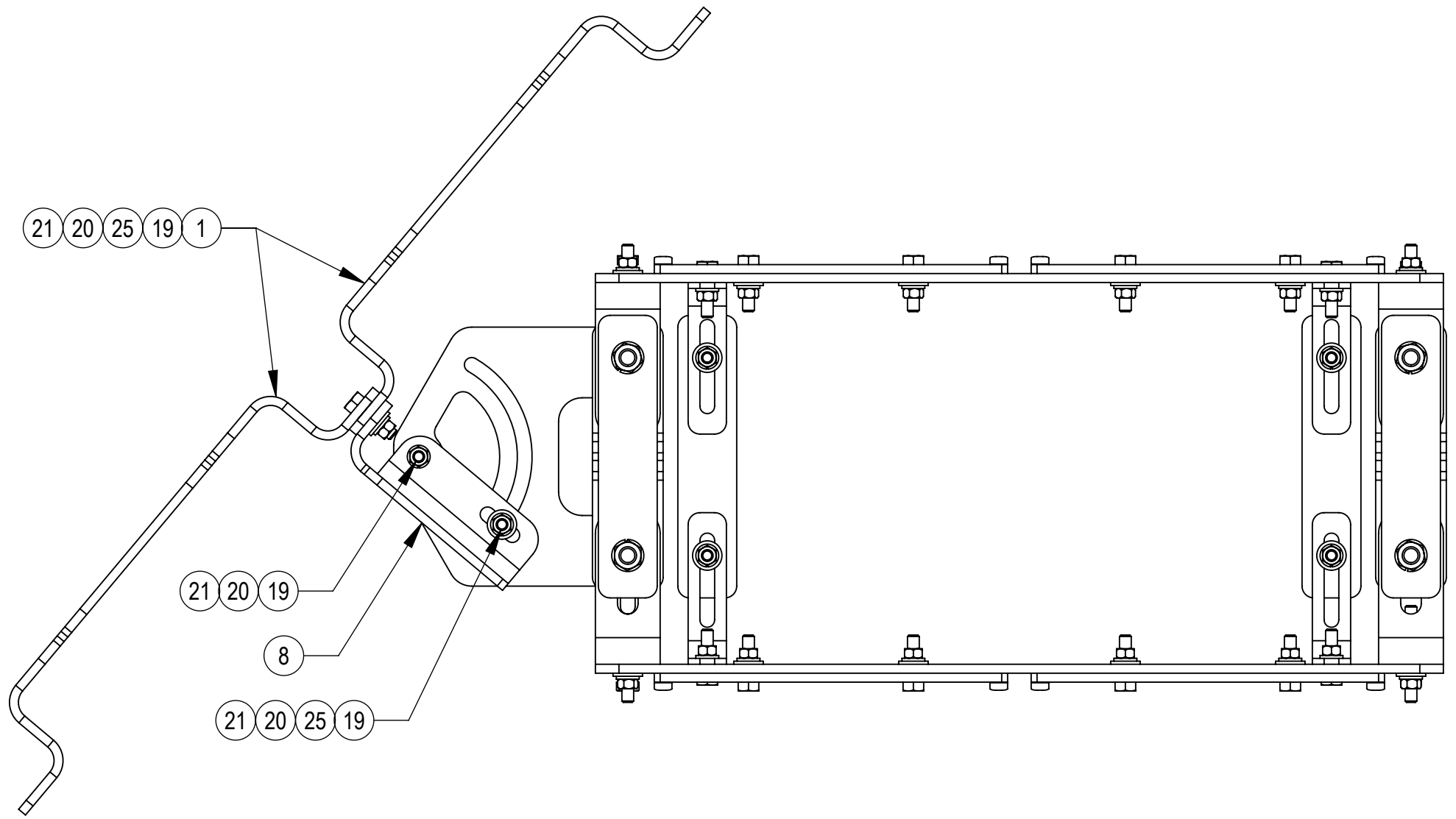
4

3

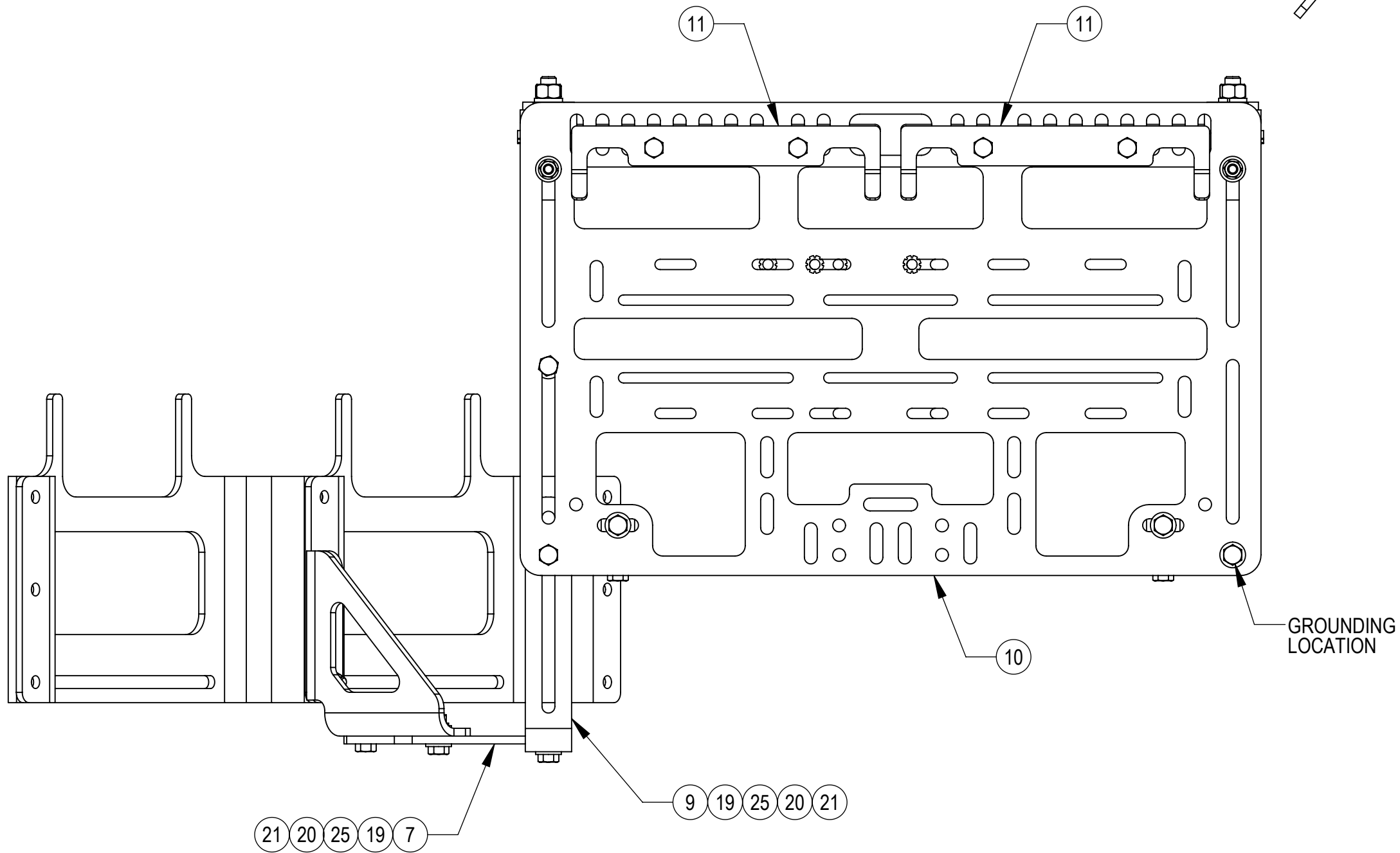
2

1


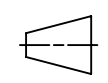
NOTES:



TOP VIEW



CONFIGURATION FOR MOUNTING ERICSSON RADIOS DIRECTIONAL ANTENNA MOUNTING

COMMSCOPE, INC. OF NORTH CAROLINA				
TITLE SMALL CELL STRAND MT; 5G SGL SCTR 18" LG				
SIZE C	SCALE 1:3	DOCUMENT NO. SCSTSU-301-S		
 		DRAWING		SHEET 7 OF 7
		VERSION 08	STATUS RE	