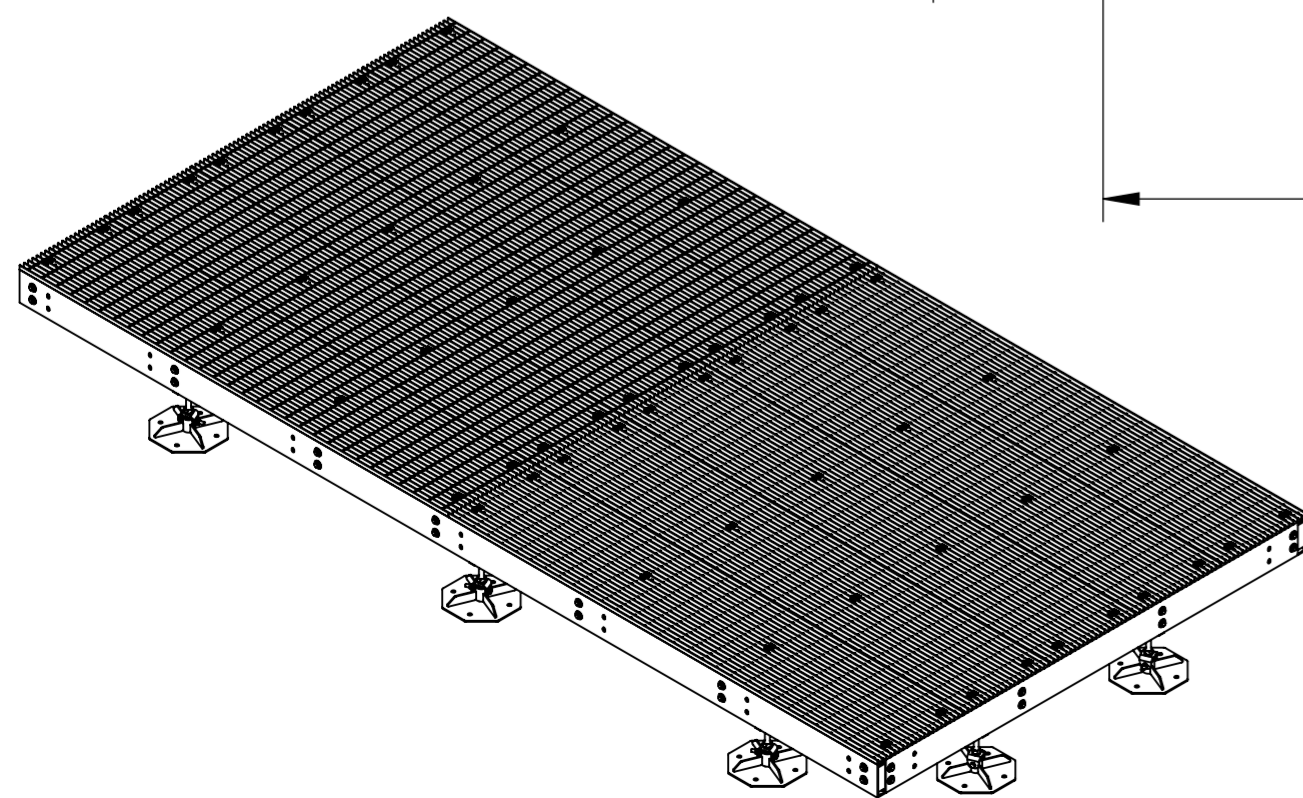
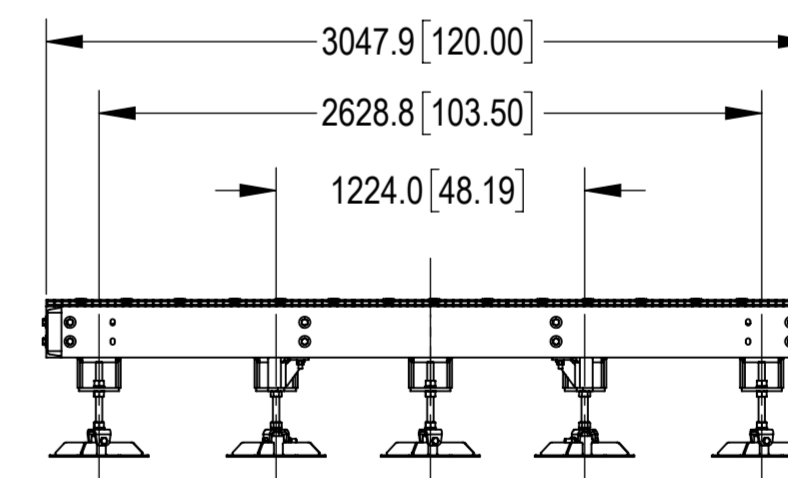
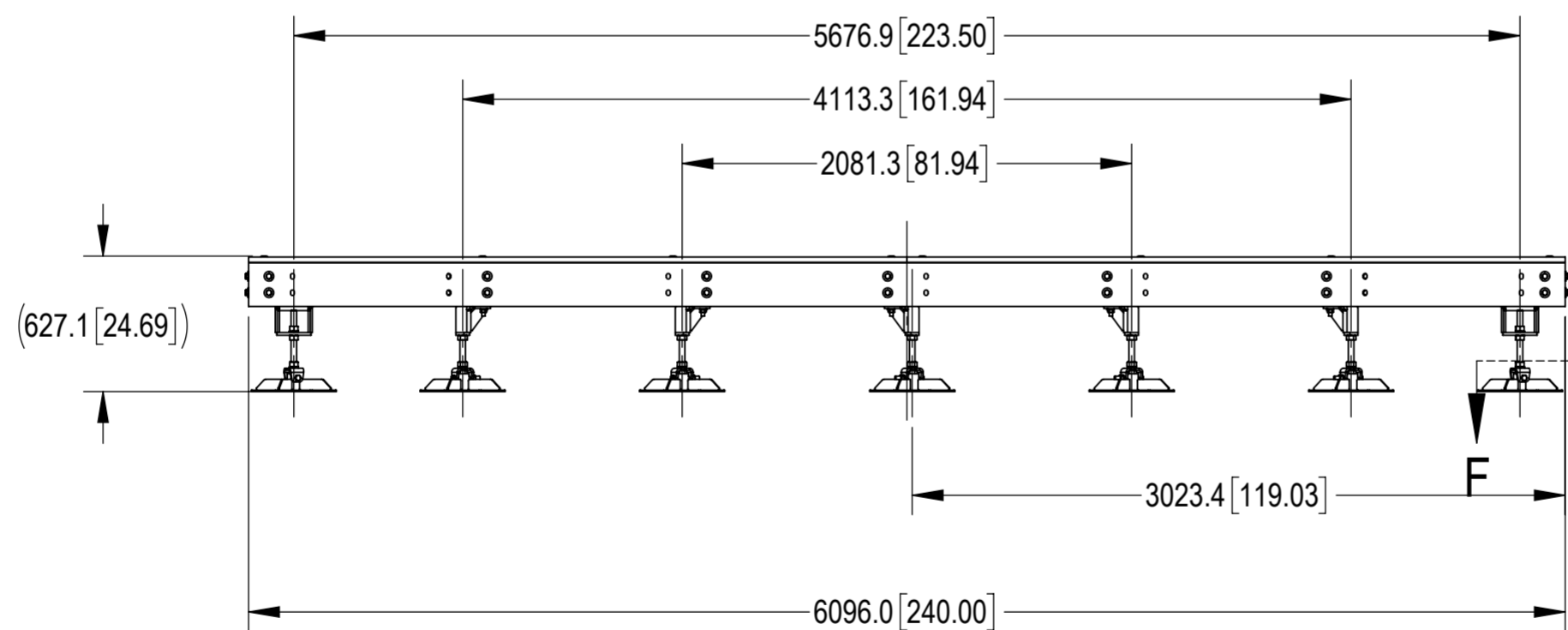
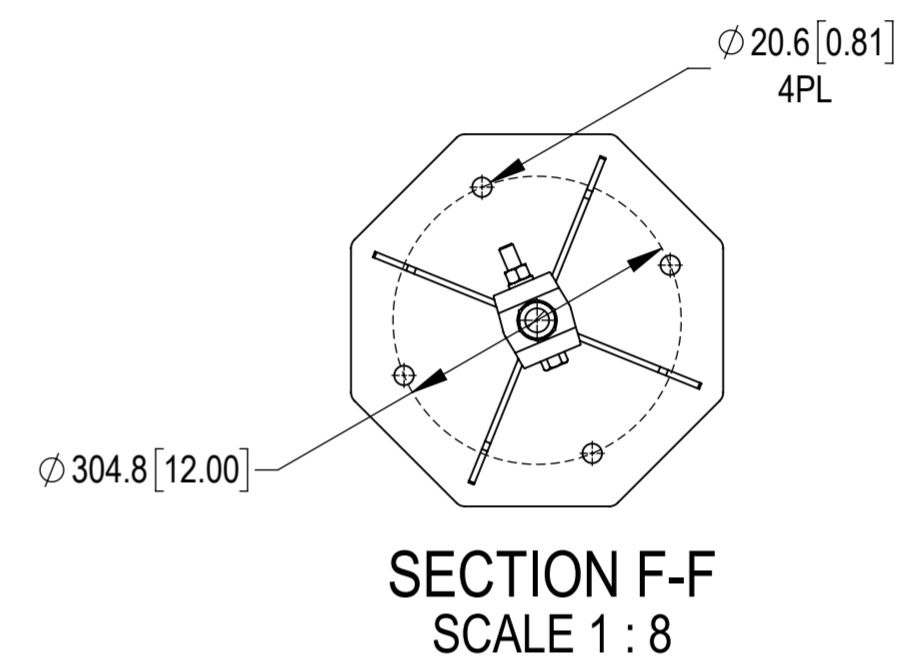
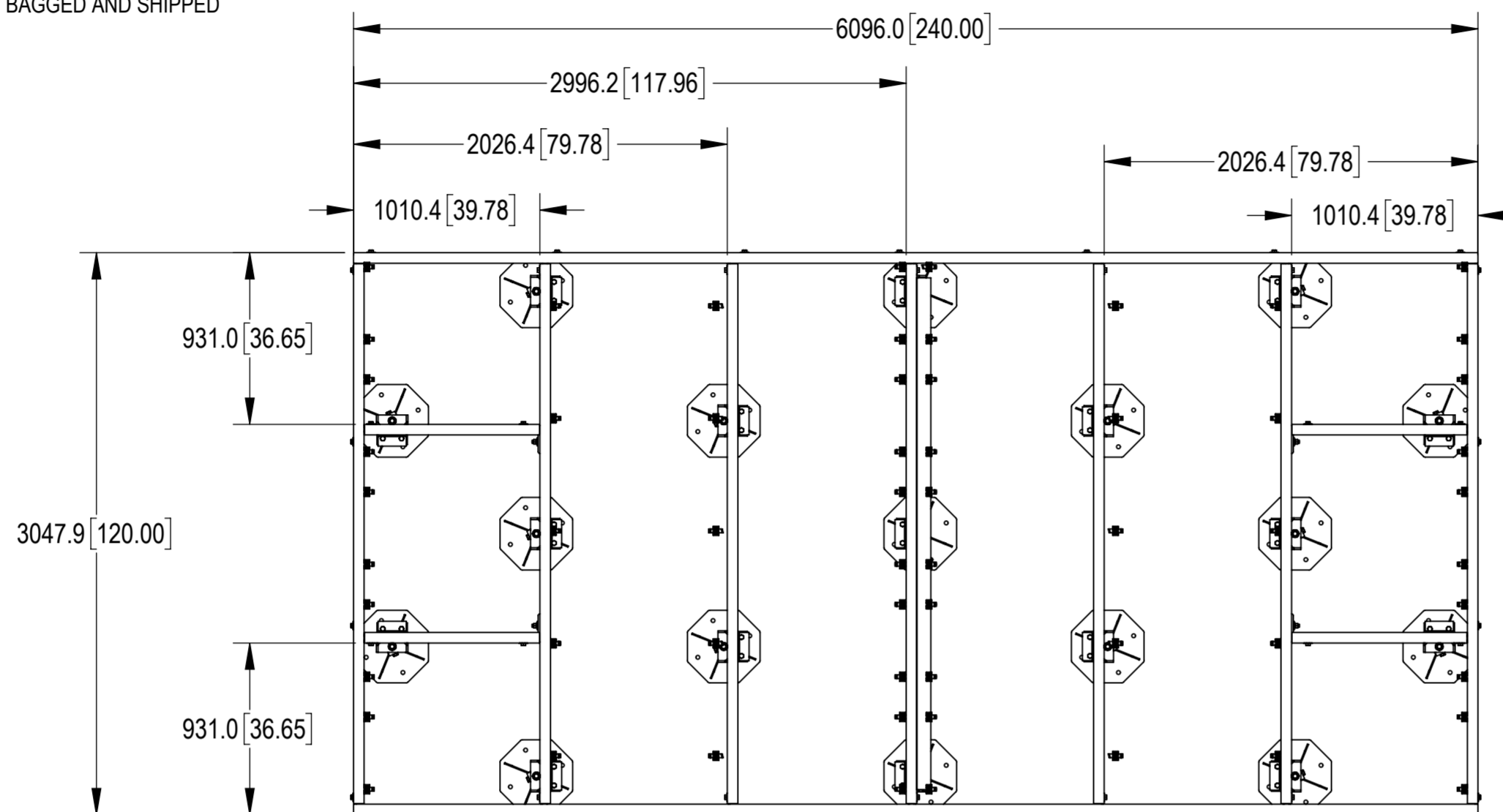
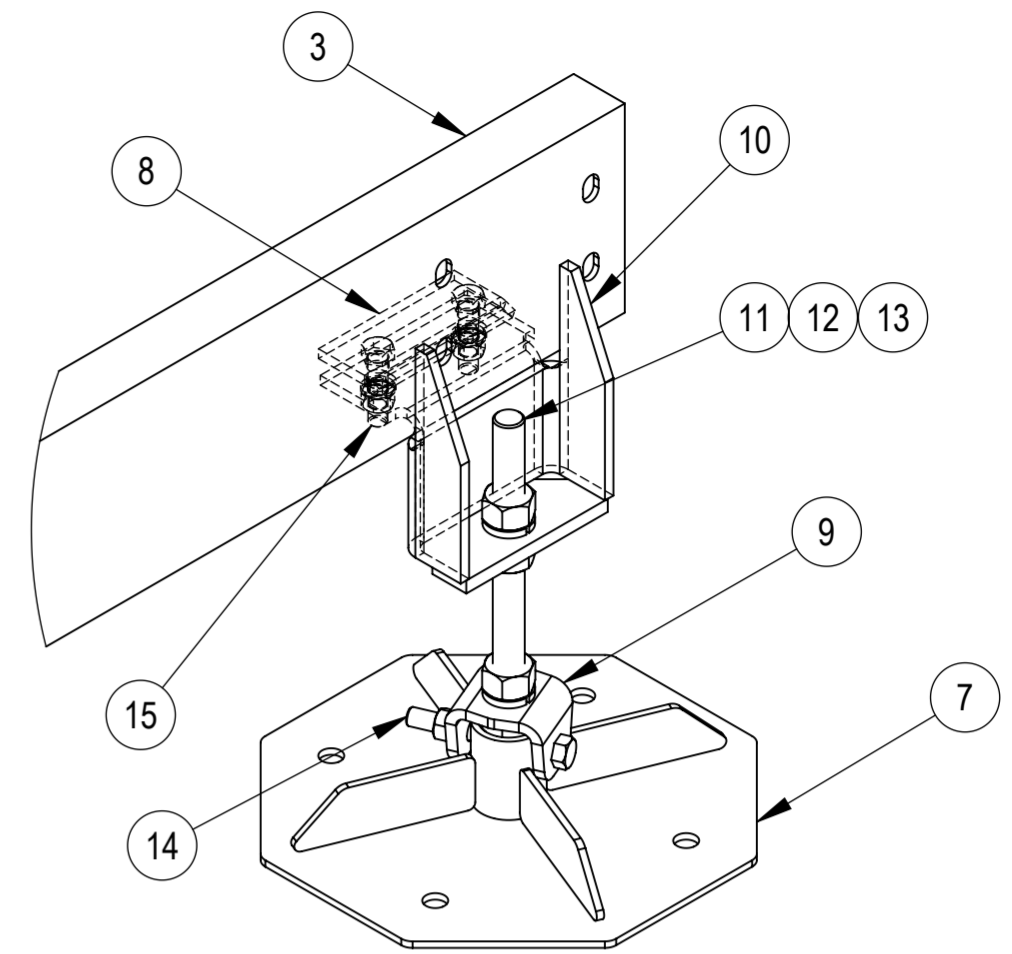
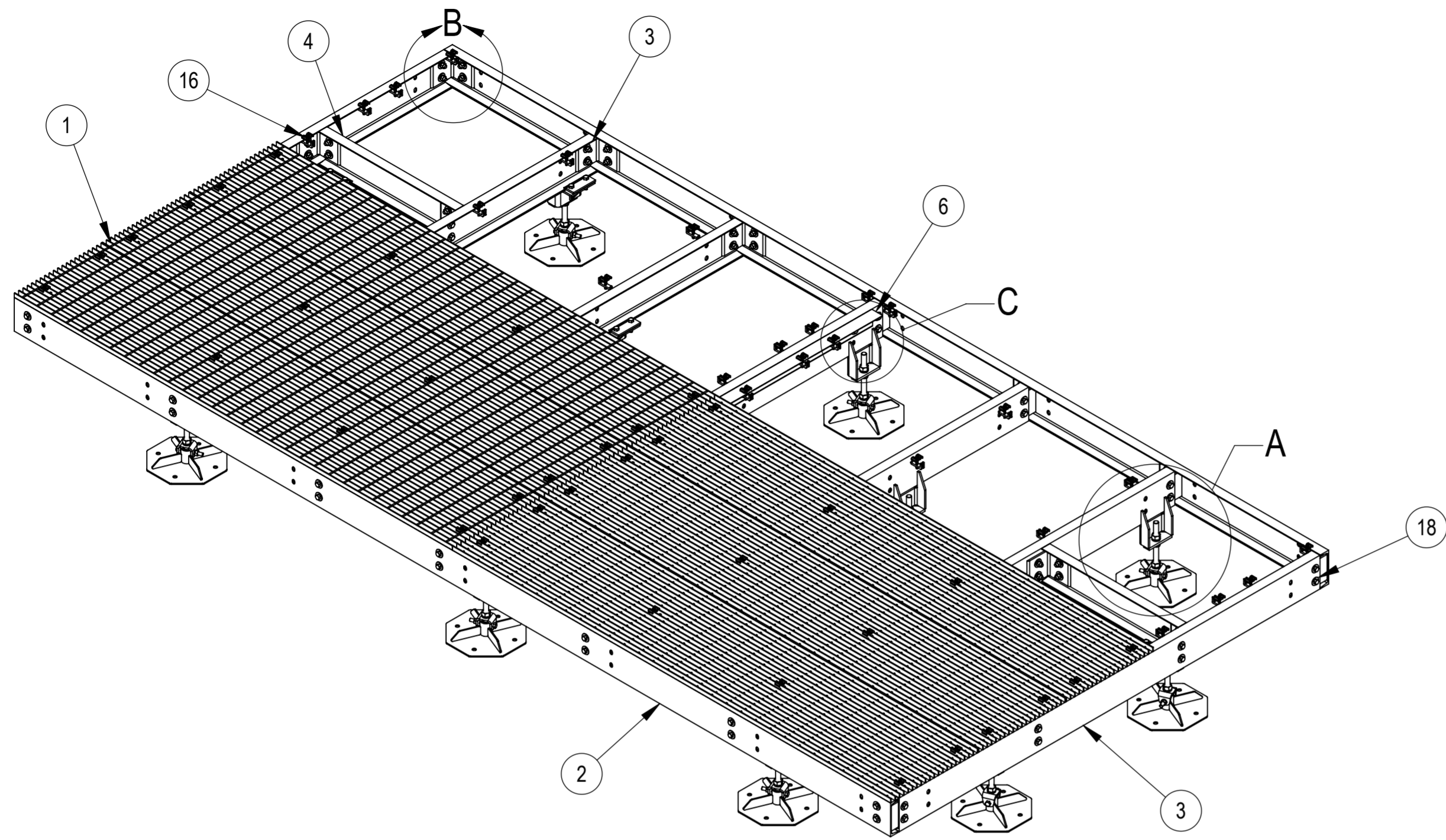


- 1.0 GENERAL NOTES
 1.1 ALL IMPERIAL DIMENSIONS ARE IN BRACKETS [X.XX]
 1.2 FOR PATENT INFO: <https://www.cs-pat.com>
 2.0 DESIGN NOTES
 3.0 MANUFACTURING/SPECIAL REQUIREMENTS
 3.1 TIGHTEN ALL BOLTS SECURING FLAT PLATES BY THE TURN-OF-NUT METHOD. TIGHTEN ALL U-BOLTS USING TURN-OF-NUT METHOD WITH ATTENTION TO LEAVE EQUAL DISTANCE AND EQUAL FORCE ON EACH LEG OF THE U-BOLT.
 4.0 TEST
 5.0 PACKAGING
 5.1 PACKAGING SHALL MEET COMMSCOPE REQUIREMENTS PER DOCUMENT IS-PL-3005
 5.2 PRINTED DOCUMENT TO BE PLACED INSIDE POLYBAG AND THEN IN SHIPPING CONTAINER
 5.3 EXTRA HARDWARE MAYBE SUPPLIED, BAGGED AND SHIPPED

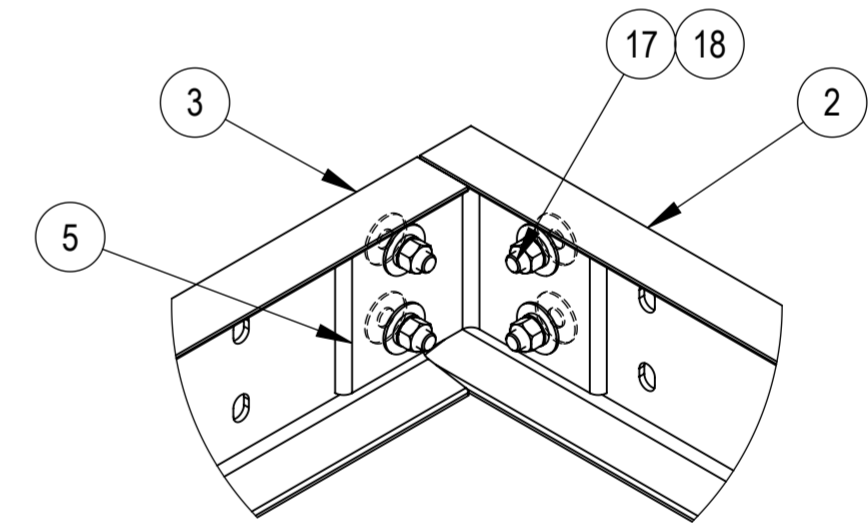
REVISIONS			
REV.	DESCRIPTION	DATE	APPROVED
A	INITIAL RELEASE	YX1027 28SEP22	MM1298 40157568CMO
B	ADDED DIMS @ DRAWING VIEW2	YX1027 21NOV22	MM1298 40161329CMO
C	UPDATED DESCRIPTION	YX1027 06DEC22	MM1298 40161329CMO



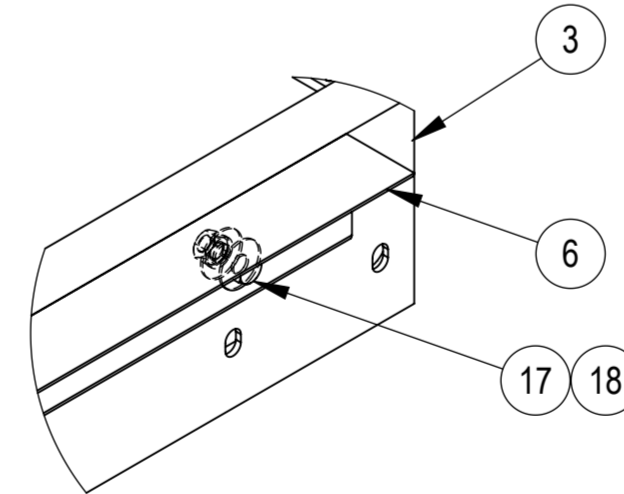
COMMSCOPE, INC. OF NORTH CAROLINA										
TOLERANCES					SAP MATERIAL MASTER					
0 PLACE X.[X] ± 6[0.25]		2 PLACE .XX[.XXX] ± 1.50[0.06]			EQ-P1020-DF-CF					
1 PLACE .X[.XX] ± 3.0[0.12]		ANGLES ± 2°								
FINISH					MATERIAL					
DENSITY		lbs/in³								
MASS		3688.46		lbs						
VOLUME		13110.8		in³						
SURFACE AREA		124454		in²						
DENSITY		g/mm³								
MASS		1676573.16		grams						
VOLUME		214861378.27		mm³						
SURFACE AREA		80292995.35		mm²						
HEIGHT		627.1[24.69]								
LENGTH		6123.4[241.08]								
WIDTH		3075.3[121.08]								
UNLESS OTHERWISE SPECIFIED DIMENSIONS ARE IN MILLIMETERS INTERPRET PER ANSI Y 14.5M-1994		NAME		DATE		TITLE				
CE		YX1027		28SEP22		10'X20' EQ. PLATFORMW/17 DF FEET,CF				
RW		YX1027		12/05/2022						
AD		MM1298		12/06/2022						
RE		YX1027		12/06/2022						
ECN		40161329CMO								
SCALE		DOCUMENT NO.		EQ-P1020-DF-CF						
1:32										
SIZE		Auth Group		INSL		MODEL		DRAWING		SHEET
A2										1 OF 2
						VERSION		REVISION		
						01		RE		B
								VERSION		02
								STATUS		RE
								REVISION		C



DETAIL A
SCALE 1 : 6



DETAIL B
SCALE 1 : 6



DETAIL C
SCALE 1 : 6

COMPONENT PART NUMBERS PROVIDED FOR ASSEMBLY PURPOSES;
INDIVIDUAL COMPONENTS MAY BE SHIPPED AS PARTS WITHIN AN INCLUDED KIT

ITEM NO.	PART NUMBER	DESCRIPTION	QTY.	WEIGHT
1	MTC7902081001	24" X 120" BAR GRATING	10	141.45 LBS
2	MTC7902102001	20" SIDE CHANNEL	2	227.29 LBS
3	MTC7902101002	10" CENTER CHANNEL	7	109.20 LBS
4	EQ-P1010-1000-00	CHANNEL, EQUIPMENT PLATFORM	4	35.6 LBS
5	MTC790203	CHANNEL ADAPTER ANGLE	22	7.07 LBS
6	MTC7902.14	GRATING SECTION BRACKET	1	51.89 LBS
7	MTC3738DF01	BASE FOOT	17	17.92 LBS
8	MTC7902AL07	PINCH PLATE	17	1.60 LBS
9	EQPDF30	CLIP, PIVOT	17	1.67 LBS
10	EQPDF25	WELDMENT, ADJUSTABLE FOOT - DF STYLE	17	10.96 LBS
11	EQPDF29	1-8 X 12" THREADED ROD - B7	17	2.65 LBS
12	GN-08	1" GALV HEX NUT	68	0.33 LBS
13	GWL-08	1" GALV LOCK WASHER	34	0.09 LBS
14	GB-05505	5/8" X 5" GALV BOLT KIT	17	0.52 LBS
15	GB-05245	5/8" X 2-1/2" GALV BOLT KIT	34	0.30 LBS
16	GCM03	GRATING CLIP	60	0.44 LBS
17	GB-05205	5/8" X 2" GALV BOLT KIT	92	0.26 LBS
18	GWF-05	5/8" GALV FLAT WASHER, 1.7OD	184	0.06 LBS

COMMSCOPE, INC. OF NORTH CAROLINA					
TITLE 10'X20' EQ. PLATFORMW/17 DF FEET,CF					
SIZE A2	SCALE 1:33.3	DOCUMENT NO. EQ-P1020-DF-CF			
		DRAWING			SHEET 2 OF 2
		VERSION 02	STATUS RE	REVISION C	